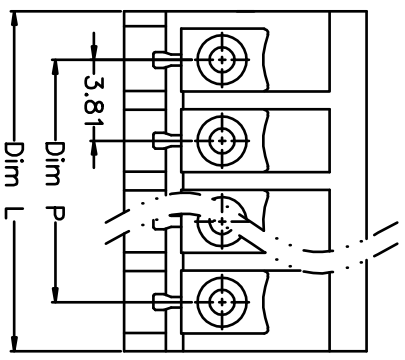
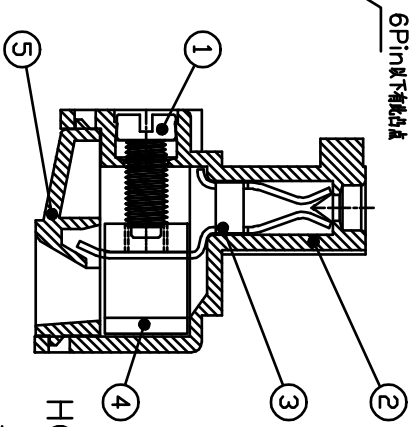
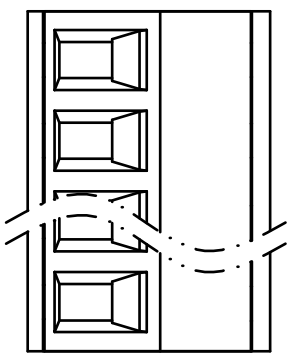
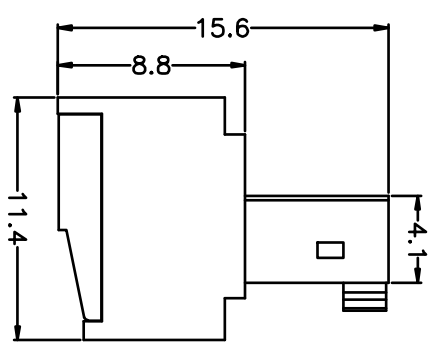


REV.	DESCRIPTION	DATE	DRAWN	APPROVED
A1	DWG.REL	2016/10/7	FANG	YANG



N=Number of Poles
 Dim P=(N-1)x3.81
 Dim L=Nx3.81+0.8

Poles	Dim P	Dim L
2-6P	±0.10	±0.15
7-12P	±0.20	±0.20
13-18P	±0.25	±0.30
19-24P	±0.30	±0.40

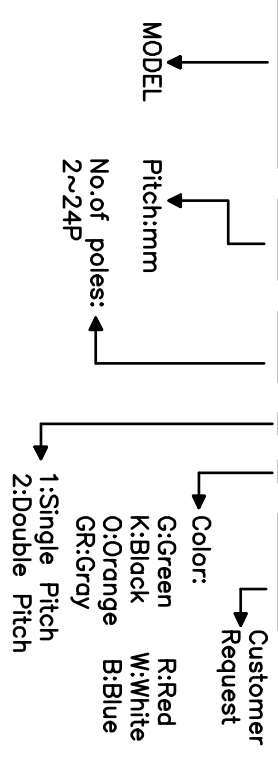


6Pin向下插接点

- Material
 - ①Screws : M2.0 steel, Zinc plated, "--" slot type
 - ②Housing : PA66, UL94V-0
 - ③Contact : Phosphor bronze, Ni plated
 - ④Clamp : Brass, Ni plated
 - ⑤Cover : PA66, UL94V-0
- Electrical
 - UL IEC
 - Rated voltage : 300V 250V
 - Rated current : 8A 7A
 - Insulation resistance: 500MΩ/DC500V
 - Withstanding Voltage : AC1500V/1min
 - Wire range: 28-16AWG 0.5-1.5mm²
- Mechanical
 - Operating temperature: -40°C~+105°C
 - Soldering temperature: 250°C±5/5sec
 - Torque: 0.2N.m (1.77Lb.in)
 - Strip length: 6-7mm

HOW TO ORDER

KF2EDG-Y-3.81-XXP-1 X-XXXXX



GENERAL TOLERANCE	ANGLE TOLERANCE
X: ±0.5	X: ±5'
.X: ±0.3	.X: ±3'
.XX: ±0.1	.XX: ±1'

DRAWING TYPE	CUSTOMER
SCALE	1:1
SHEET	1 OF 1
DRAWING NO.	XP0012016-xxxx

PROJECTION	TITLE
UNITS	mm
SHEET SIZE	A4
SERIES	KF2EDG-Y
KF2EDG-Y-3.81-XXP	

凯峰 慈溪市凯峰电子有限公司
 CIXI KAIFENG ELECTRONIC CO.,LTD