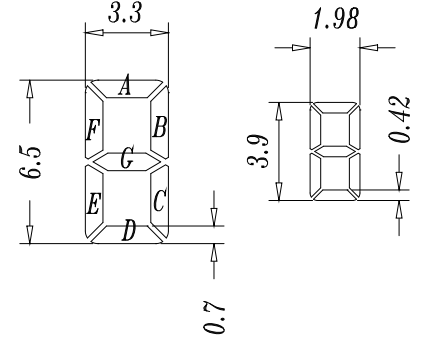
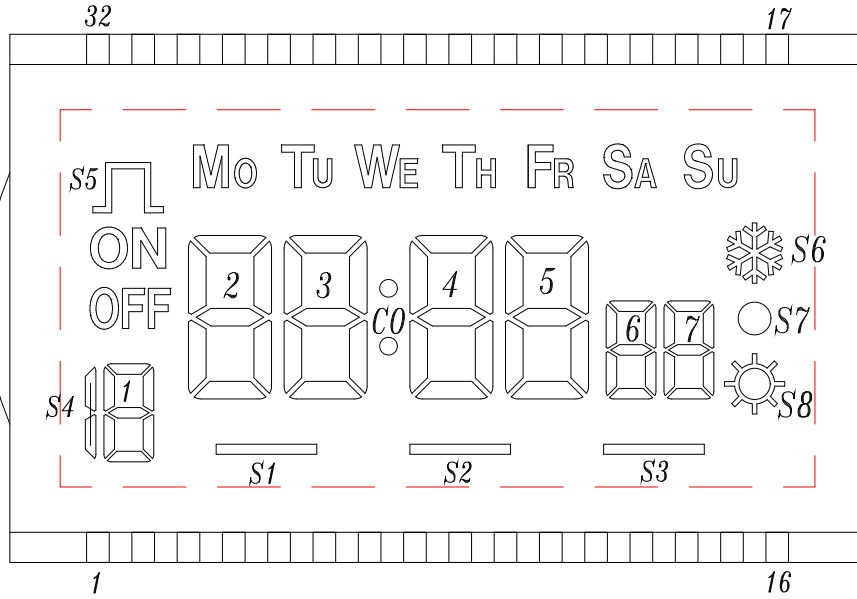
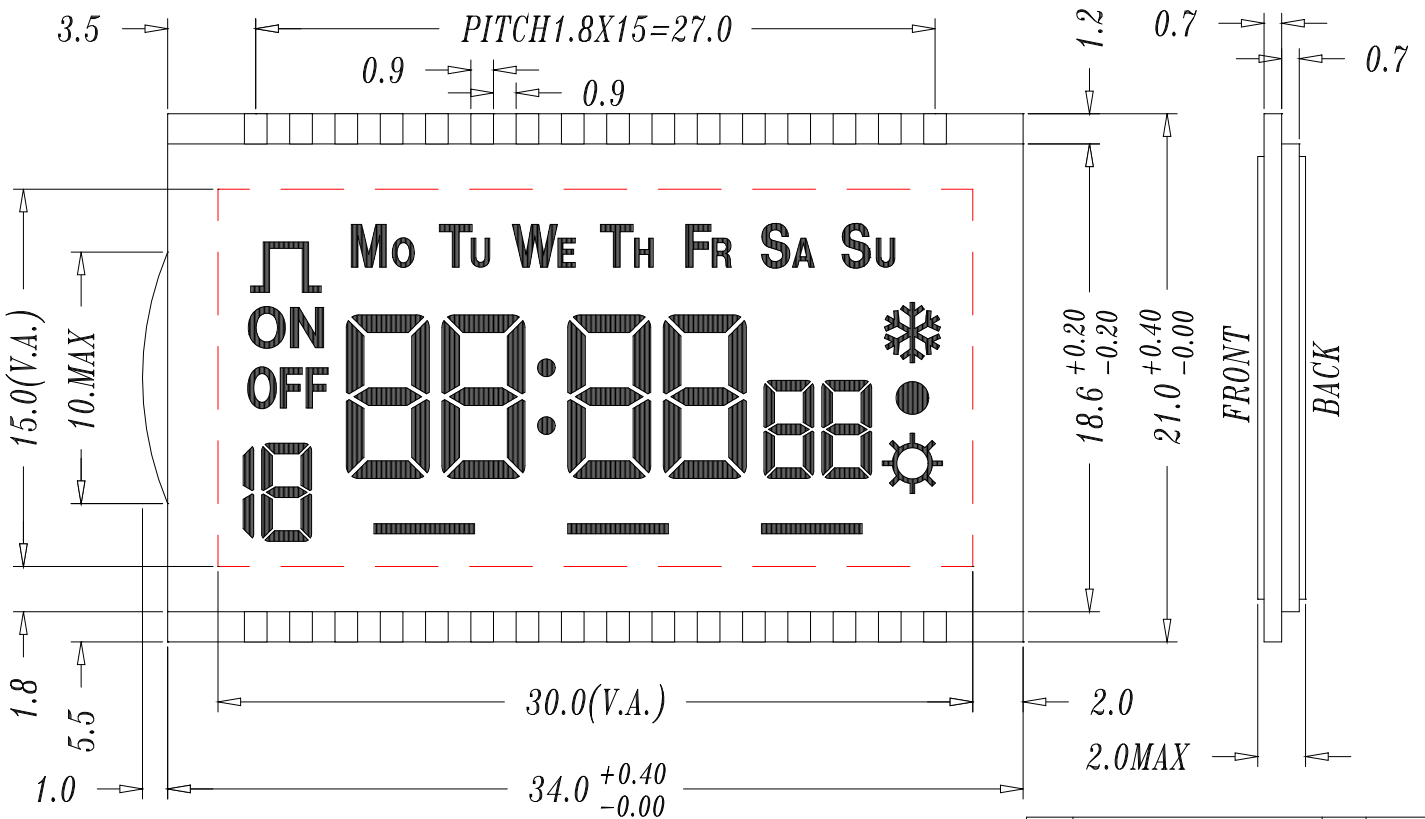


PIN	1	2	3	4	5	6	7	8	9	10	11	12	13	14	15	16
COM1	1D	2E	2D	S1	3E							S2	6E	6D	S3	7E
COM2	OFF	2F	2G	2C	3F							5C	6F	6G	6C	7F
COM3	ON	Mo	2A	2B	Tu							5B	Sa	6A	6B	Su
PIN	17	18	19	20	21	22	23	24	25	26	27	28	29	30	31	32
COM1		S8		7D	5D	5E	4C	4D	CO	3C	3D	1C	1G	1E		COM1
COM2		S7	7C	7G	5G	5F	4B	4G	4E	3B	3G	1B	1A	1F	COM2	
COM3	COM3	S6	7B	7A	5A	Fr	Th	4A	4F	We	3A	S5	S4			



REV.	DESCRIPTION	BY	DATE
	JHD CO LTD		
DRAWN BY:	H.S.SHAO	DRAWN NO.:	1056
CHECKED BY:	L.C.WANG	SCALE:	/
APPROVED BY:		UNIT:	mm
DATE:	2001-7-5	REV.	-
		SHEET	3 OF 3



REV.	DESCRIPTION	BY	DATE
	JHD CO LTD		
DRAWN BY:	H.S.SHAO	DRAWN NO.:	1056
CHECKED BY:	L.C.WANG	SCALE:	/
APPROVED BY:		UNIT:	mm
DATE:	2001-7-20	REV.	-
		SHEET	2 OF 3