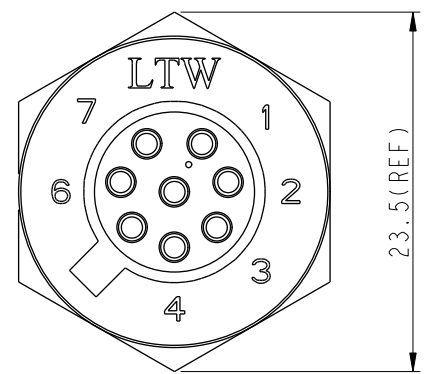
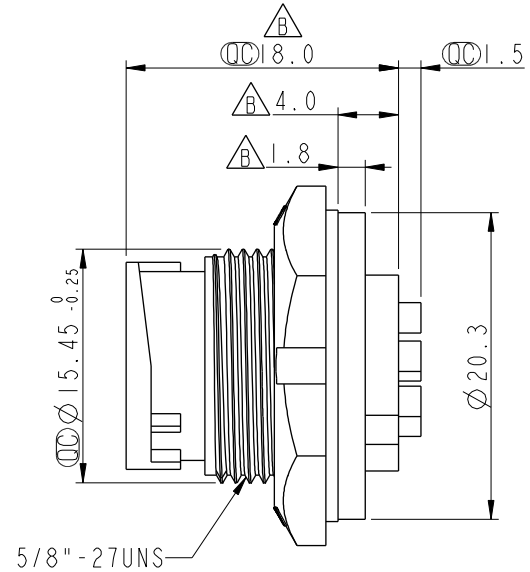
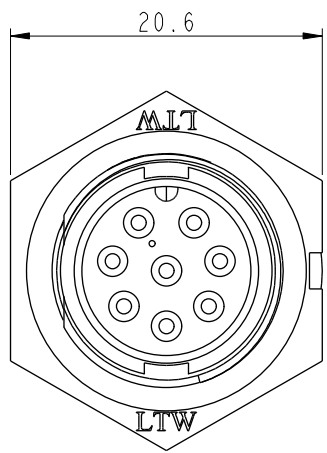


THIS DOCUMENT IS SUBJECT TO CHANGE WITHOUT NOTICE. IT IS CONFIDENTIAL AND A PROPERTY OF AMPHENOL LTW. DISCLOSURE TO THIRD PARTY HAS TO BE AUTHORIZED BY AMPHENOL LTW.

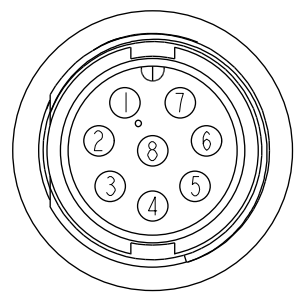
REV.	ECN NO.	DATE	SIGN	DESCRIPTION
B		2007/04/24	J.Espiritu	Change Precision Of Dimension 18.00 To 18.0, 4.00 To 4.0, 1.80 To 1.8 And Apply New Format
C	LEN-8B0404	2008/09/17	Shin	Add Note

ALTW
CONFIDENTIAL
2012-03-27
R&D DEPT.

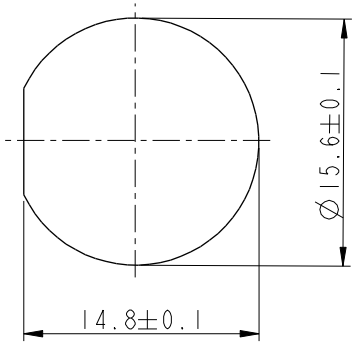
ALTW
DCC. DEPT.
CONFIDENTIAL
2012-04-06
ISSUED



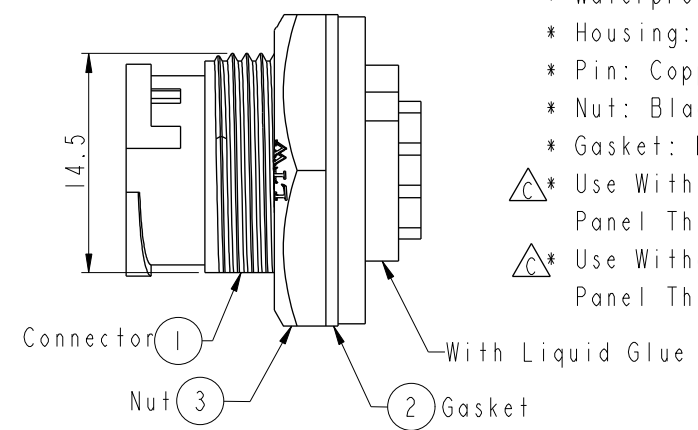
- Note:
- * (CC) Important Dimension To Check.
 - * Waterproof Rate: IP67
 - * Housing: Black, Nylon+GF
 - * Pin: Copper Alloy, Gold Plated
 - * Nut: Black, Nylon+GF
 - * Gasket: Black, EPDM
 - △* Use With Waterproof Cap Or Dust Cap
Panel Thickness Max: 3.0mm
 - △* Use Without Waterproof Cap Or Dust Cap
Panel Thickness Max: 4.5mm



Pin Assignments
Front View



Recommended Panel Cut-out



UNIT: mm		
TOLERANCE	.X ±0.25	
.XX ±0.1		
.XXX ±0.05		
ANGLES	±1°	

TITLE Standard Panel Lock 8Pin M Conn M Pin			
SCALE 2:1	SIZE A4	SHEET 1 OF 1	
REV. C	WC-REV. A.2	(CC): Inspection item	

Amphenol LTW
安費諾亮泰企業股份有限公司

ITEM NO. BD-08PMMS-LC7001	DRAWN BY SamChang	DATE 2012-03-27
DWG NO. BD-08PMMS-LC7001	CHECKED BY Jeffrey	DATE 2012-04-06
CUSTOMER ALTW	APPROVED BY Lion	DATE 2012-04-06