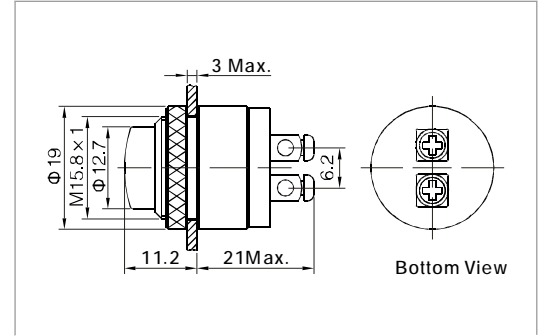


DOOR BELL PUSH BUTTON



GQ16M-10

- ⊙ Φ 16mm diameter
- ⊙ Switch Rating: 1A/36VDC
- ⊙ Contact Configuration: 1NO
- ⊙ Operation Type: Momentary
- ⊙ The crust material: Brass (bronze-coloured)
- ⊙ IP Degree: IP40



Specification	GQ16M-10	
Terminal Type	Screw Terminals	
Switching	No.1	
Max. Switch Rating	1A/36VDC	
Contact Resistance	$\leq 50\text{m}\Omega$	
Insulation Resistance	$\geq 1000\text{M}\Omega$	
Dielectric Strength	2000VAC	
Operating Temp	$-20^{\circ}\text{C} \sim +55^{\circ}\text{C}$	
Mechanical life	1,000,000 cycles	
Electrical life	200,000 cycles	
Panel Thickness	1 ~ 3mm	
Torque	5 ~ 14Nm	
Operation Pressure	About 8N	
Operation Distance	About 3mm	
IP Degree	IP40	
Material	Contact	Silver Plated Brass
	Button	Brass(bronze-coloured)
	Body	Brass(bronze-coloured)
	Base	PBT
	RoHS	Made to order
Head Color	Brnze-coloured	