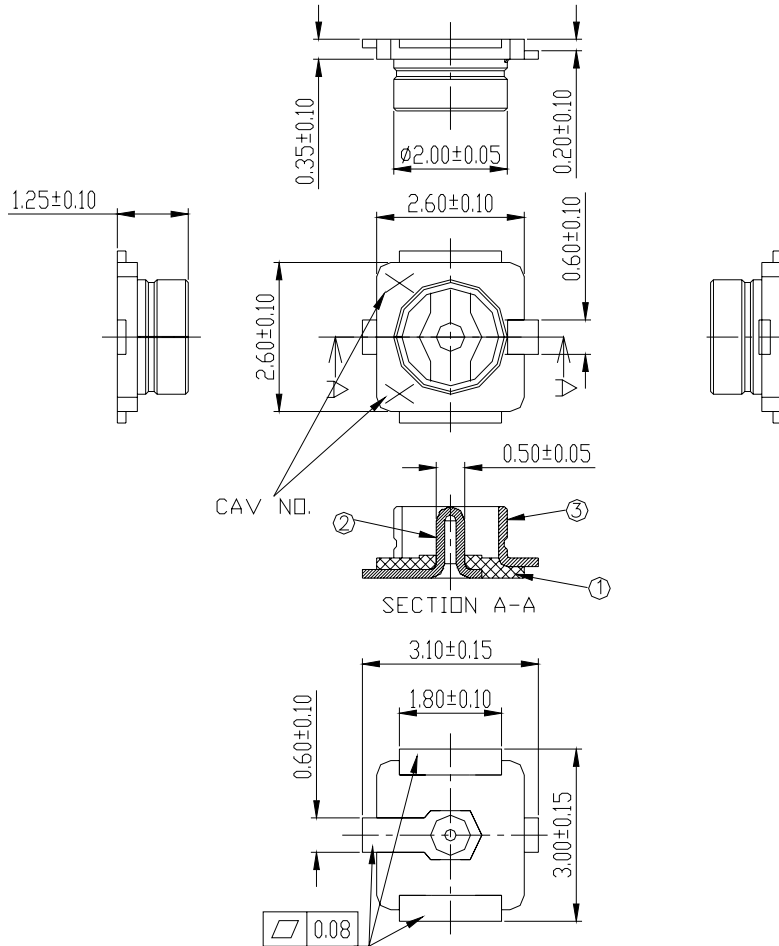


CONNTHERM

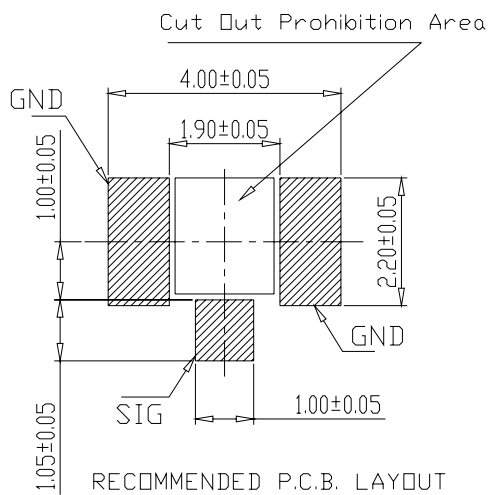
RF-IPX125-1G-Ag

7、Profile Dimensions



②	SHELL	1	COPPER ALLOY/SILVERPLATED OVER Ni
②	CONTACT	1	COPPER ALLOY/GOLD PLATED OVER Ni
①	HOUSING	1	HIGHT TEMP. PLASTIC UL94V-0/BLACK
ITEM	PART NAME	Q'TY	MATERIAL/FINISH

8、PCB LAYOUT



RECOMMENDED P.C.B. LAYOUT