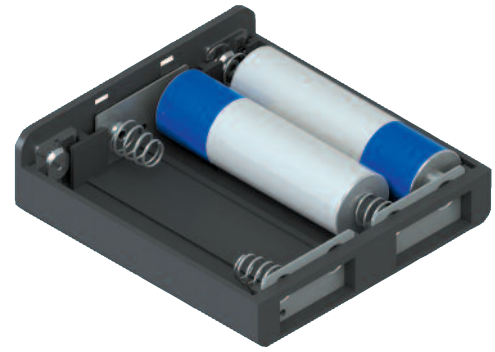


SPRING & BUTTON CONTACTS

- Economical and reliable contacts are ideal for molded cases with self-contained battery compartments
- "Solder Tab" design for either wire lead or PC mounting
- Unique spring contacts adjust to variations in battery lengths
- Reliable spring contacts assure low contact resistance and a dependable connection
- Space saving, economical, excellent mechanical construction

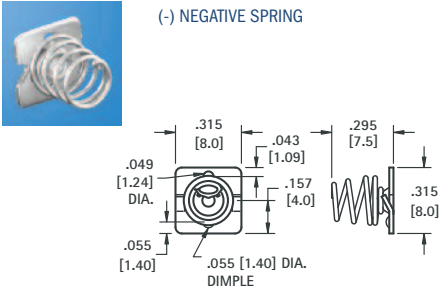


MATERIAL:

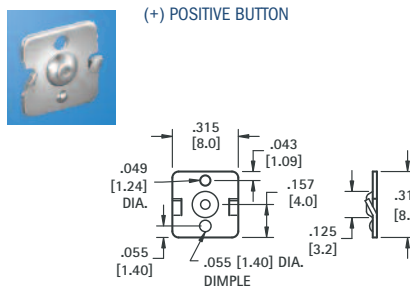
Plate: .020 (.51) Steel, Nickel Plate **Spring:** Spring Steel, Nickel Plate

Refer to page 42 for Battery Contact Layout & Mounting Details

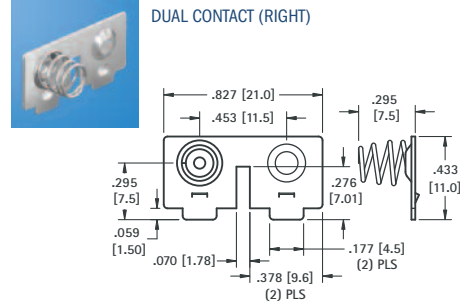
"AAA" • "AAAA" • "N" • "12V"



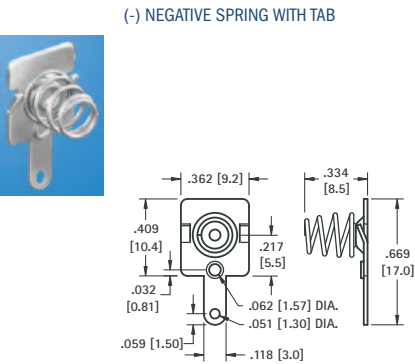
CAT. NO. 5203



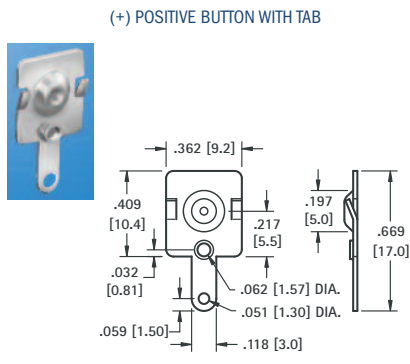
CAT. NO. 5225



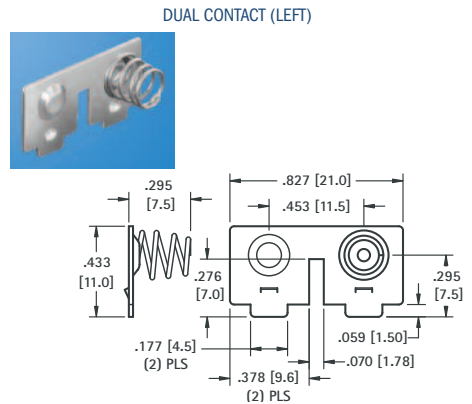
CAT. NO. 5213



CAT. NO. 5204

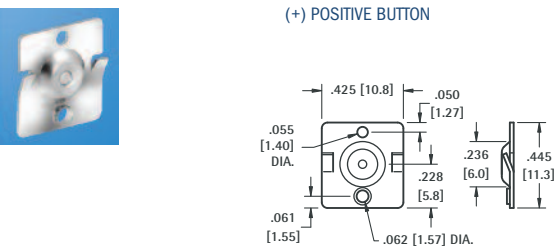


CAT. NO. 5226

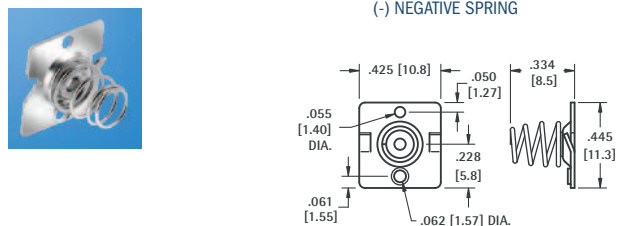


CAT. NO. 5214

"AA" • "CR2" • "A" • "17500" • "18350" • "18650"

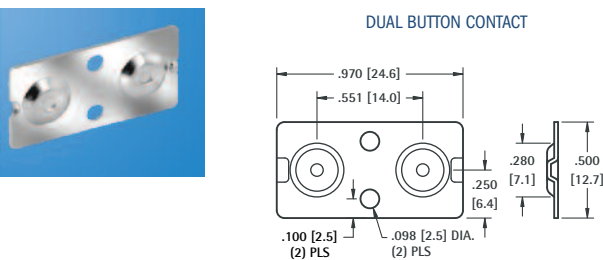


CAT. NO. 5224

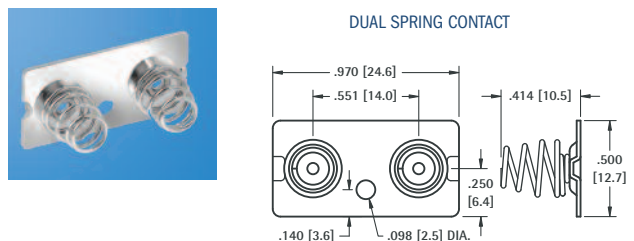


CAT. NO. 5202

"AA"



CAT. NO. 5227



CAT. NO. 5228