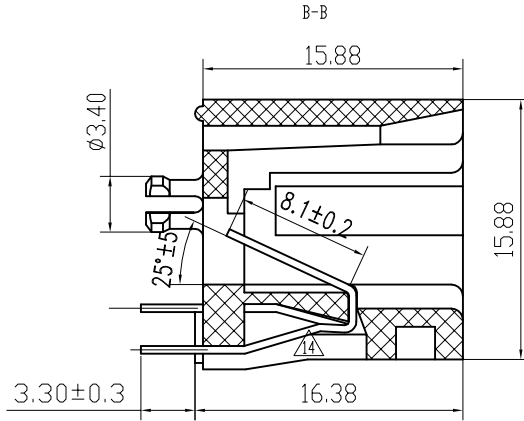
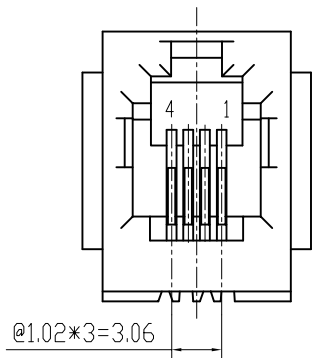


REV. 版本	ECN NO. 变更说明	DATE 日期
01-15	ADD P/N	2015.01.06
13	EC13111807	2013.11.18

A



B

电气特性:

1. 额定电压: 150 VAC RMS
2. 额定电流: 1.5 AMPS@25° C
3. 接触电阻: 20mΩ MAX.
4. 绝缘电阻: 1000 MΩ MIN. @500 VDC
5. 耐压强度: CONTACT TO CONTACT :1000V DC OR AC PEAK;
CONTACT TO SCREEN AND TEST PANEL :1500V DC OR AC PEAK
@0.5mA 50Hz 或 60Hz 1分钟.

环境特性:

1. 储存温度: -40°C~+85°C相对湿度<80%.
2. 工作温度: -40°C~+85°C

机构特性:

1. 塑壳材质: PBT, UL94V-0;
2. 圆针材质: 磷青铜, φ0.46mm;
3. 圆针电镀: 镍底, 表面全部镀金;
4. 插入/拔出力: 30N Max.
5. 配合强度: 50N for 60s±5s.
6. 使用寿命: 最少750次插拔.

NOTES:

ELECTRICAL:

1. VOLTAGE RATING : 150 VAC RMS.
2. CURRENT RATING : 1.5 AMPS@25° C
3. CONTACT RESISTANCE : 20 mΩ MAX.
4. INSULATION RESISTANCE : 1000 MΩ MIN @500VDC.
5. WITHSTAND VOLTAGE : CONTACT TO CONTACT :1000V DC OR AC PEAK;
CONTACT TO SCREEN AND TEST PANEL :1500V DC OR AC PEAK
@0.5mA 50Hz or 60Hz a minnte.

MECHANICAL:

1. HOUSING MATERIAL : PBT UL94V-0.
2. CONTACT MATERIAL : PHOSPHOR BRONZE φ0.46mm.
3. CONTACT PLATING : GOLD PLATING OVER NICKEL.
4. MATING/UMATING FORCE: : 30N Max..
5. RETENTION STRENGTH : 50N for 60s±5s.
6. DURABILITY : 750 CYCLES MIN.

C

D

5222 4P 有耳有网香菇脚 插座

RoHS Compliant



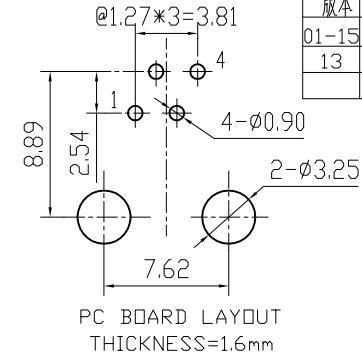
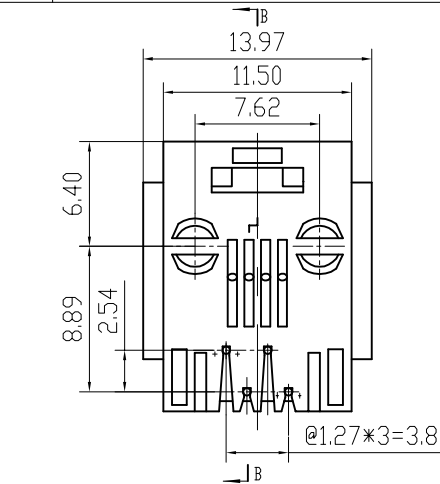
TOLERANCES 公差
00~15 ± 0.15
15~30 ± 0.20
30~ ± 0.25
ANGLES ±1°

Material: 材质	SEE_NOTE
Finish: 电镀	SEE_NOTE
SHEET 1 OF 1 第 1 页 共 1 页	

Designed: 设计	陈智艳
Checked: 审核	
Approved: 核准	

NAME: 名称	RJ22 5222 4P WITH EAR WITH GIRD JACK
DWG NO: 图号	E52QWY-1006-6
PART NO: 料号	SEE_NOTE

REV. 版本	15
---------	----



ENVIRONMENTAL:

1. STORAGE TEMPERATURE : -40°C~+85°C RELATIVE HUMIDITY<80%
 2. OPERATION TEMPERATURE : -40°C~+85°C
- MATES WITH MDULAR PLUG CONFORMING TO FCC PART 68, SUBPART F.

TOP TIP	P/N料号	DESCRIPTION 描述	MATERIAL 材质
10201644F005	B522N-4430-M011	RJ22 1*1 5222 4P4C WITH EAR WITH GIRD/5222插座 4P4C 30u" (有耳香菇脚有网)	PBT BLACK黑
10201644B008	B522N-4403-M003	RJ22 1*1 5222 4P4C WITH EAR WITH GIRD/5222插座 4P4C 3u" (有耳香菇脚有网)	PBT BLACK黑
10201644D004	B522N-4415-M011	RJ22 1*1 5222 4P4C WITH EAR WITH GIRD/5222插座 4P4C 15u" (有耳香菇脚有网)	PBT BLACK黑
10201644C011	B522N-4406-M011	RJ22 1*1 5222 4P4C WITH EAR WITH GIRD/5222插座 4P4C 6u" (有耳香菇脚有网)	PBT BLACK黑
10201644C012	B522N-4406-M005	RJ22 1*1 5222 4P4C WITH EAR WITH GIRD/5222插座 4P4C 6u" (有耳香菇脚有网)	PBT GRAY灰
10201644A007	B522N-44GF-M011	RJ22 1*1 5222 4P4C WITH EAR WITH GIRD/5222插座 4P4C G/F (有耳香菇脚有网)	PBT BLACK黑
	B522N-42GF-M004	RJ22 1*1 5222 4P2C(2.3) WITH EAR WITH GIRD/5222插座 4P2C G/F (有耳香菇脚有网)	PBT BLACK黑
10201644G002	B522N-4450-M011	RJ22 1*1 5222 4P4C WITH EAR WITH GIRD/5222插座 4P4C 50u" (有耳香菇脚有网)	PBT BLACK黑
10201644C013	B522N-4406-M016	RJ22 1*1 5222 4P4C WITH EAR WITH GIRD/5222插座 4P4C 6u" (有耳香菇脚有网)	PBT BLUET蓝2935U
10201644C014	B522N-4406-M015	RJ22 1*1 5222 4P4C WITH EAR WITH GIRD/5222插座 4P4C 6u" (有耳香菇脚有网)	PBT GREEN绿D5004
	B522N-4406-M014	RJ22 1*1 5222 4P4C WITH EAR WITH GIRD/5222插座 4P4C 6u" (有耳香菇脚有网)	PBT BLUE蓝D6001
	B522N-4406-M013	RJ22 1*1 5222 4P4C WITH EAR WITH GIRD/5222插座 4P4C 6u" (有耳香菇脚有网)	PBT GREEN绿D5007
10201644B005	B522N-4403-M013	RJ22 1*1 5222 4P4C WITH EAR WITH GIRD/5222插座 4P4C 3u" (有耳香菇脚有网)	PBT WHITE白
	B522N-4450-M012	RJ22 1*1 5222 4P4C WITH EAR WITH GIRD/5222插座 4P4C 50u" (有耳香菇脚有网)	PBT BLACK黑
10201644A009	B522N-44GF-M005	RJ22 1*1 5222 4P4C WITH EAR WITH GIRD/5222插座 4P4C G/F (有耳香菇脚有网)	PBT GRAY灰
	B522N-4415-M005	RJ22 1*1 5222 4P4C WITH EAR WITH GIRD/5222插座 4P4C 15u" (有耳香菇脚有网)	PBT GRAY灰
10201644F006		RJ22 1*1 5222 4P4C WITH EAR WITH GIRD/5222插座 4P4C 镀金30U (有耳香菇脚有网)	PBT BLACK黑
10201644G002		RJ22 1*1 5222 4P4C WITH EAR WITH GIRD/5222插座 4P4C50u" (有耳香菇脚有网)	PBT BLACK黑
10201644G004		RJ22 1*1 5222 4P4C WITH EAR WITH GIRD/5222插座 4P4C 50u" (有耳香菇脚有网)	PBT GRAY 灰
10201644C008	B522N-4406-U001	RJ22 1*1 5222 4P4C WITH EAR WITH GIRD/5222插座 4P4C 6u" (有耳香菇脚有网)	PA66 BLACK黑
10201644A013		RJ22 1*1 5222 4P4C WITH EAR WITH GIRD/5222插座 4P4C G/F (有耳香菇脚有网)	PBT WHITE白
10201644A014		RJ22 1*1 5222 4P4C WITH EAR WITH GIRD/5222插座 4P4C G/F (有耳香菇脚有网)	PA66 BLACK黑

- 8
- 9
- 10
- 11
- 12
- 13
- 14
- 15

A

B

C

D