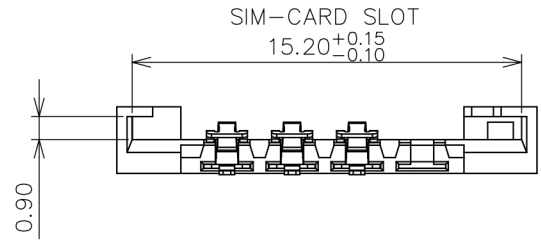
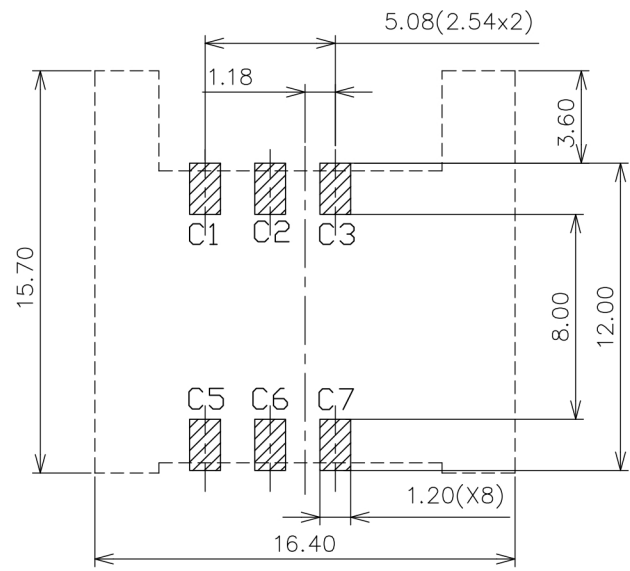
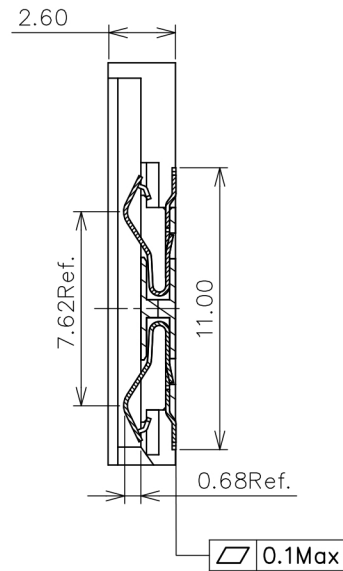
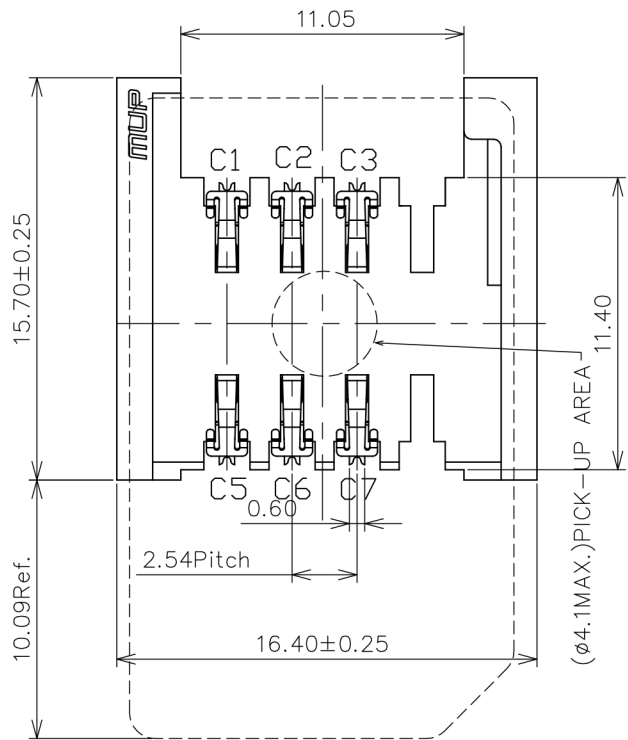


REV.	DESCRIPTION OF REVISIONS	APPR.	DRAW.	RELEASE	DATE
X1					
X2					



**TECHNICAL CHARACTERISTICS**

- General Characteristics**  
 Dimensions: 15.70LX16.40WX2.60 mm  
 Weight: Approx 0.52±0.2g  
 Durability: 5,000 cycles min.
- Electrical Characteristics**  
 Contact resistance: 50mΩ typical, 100mΩ max  
 Insulation resistance: >1000MΩ/500V DC
- Solderability**  
 Vaporphase: 215°C, 30sec. Max  
 IR reflow: 250°C, 5sec. Max  
 Manual soldering: 370°C, 3sec. Max
- Environmental Characteristics**  
 Operating temperature: -40°C~+85°C  
 Operating humidity: 10%~+95%RH



ITEM	PART NAME	Q'TY	MATERIAL	FINISH
1	HOUSING	1	Hi-temp Thermoplastic	Black UL94V-0
2	DATA CONTACT	6	Copper Alloy	Contact area: Gold plated
			Unless otherwise specified, other tolerance are:	
X	±0.35	X*	±5°	
X.X	±0.25	X.X*	±4°	
X.XX	±0.15	X.XX*	±3°	
X.XXX	±0.10	X.XXX*	±2°	
PROJ.	UNIT	SCALE	DRAWN Zoey May.20.2005 DWG NO.:	
	mm	1:1	CHECKED Jimmy May.20.2005 SHEET 1/1 REVISION X1	
CUSTOMER DRAWING			APPROVAL Simon May.20.2005	

**深圳市微连电子有限公司**  
 Shenzhen Welink Electronics Co., Ltd

NAME:  
 MODEL NO: WL-SIM722-01  
 TYPE :