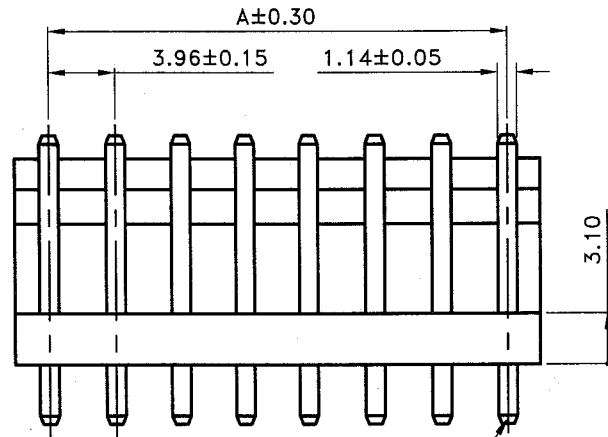
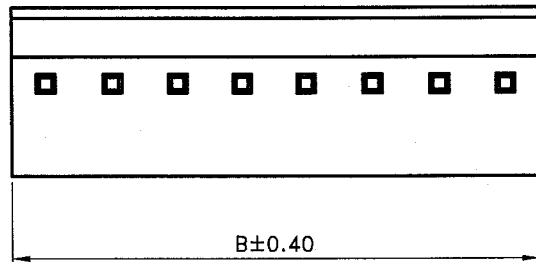
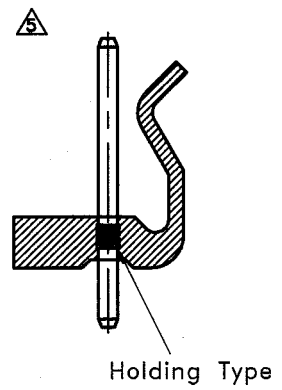
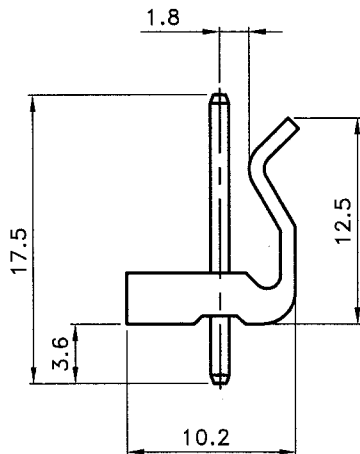
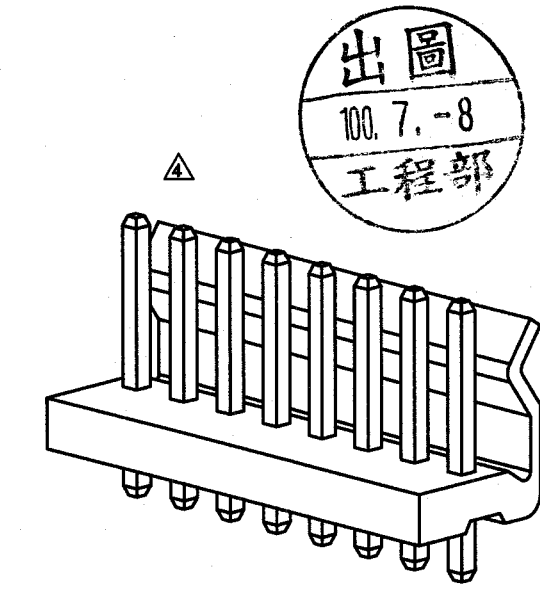


Recommad PCB Layout



Circuit No.1



■ SPECIFICATIONS


- Current Rating : 7A AC/DC
- Withstanding Voltage : 1,500V AC/minute
- Insulation Resistance : 1,000MΩ min
- Temperature Range : - 25°C to + 85°C
- Contact Resistance : 20mΩ max

■ WAFER  $\Delta$

- Part No. : JS-4001-XX(XXX)X
  - Blank : Nylon 66 UL94V-2
  - V0 : Nylon 66 UL94V-0
  - Poles No.  $\Delta$ 
    - Blank:Normal Type
    - S: Holding Type
    - Blank : Tin Plated
    - G : Gold Plated
- Poles : 02 ~ 16
- Material :
  - 1.Contact : Brass
  - 2.Base : Refer the above options
  - 3.Plated : Refer the above options
- Q' ty / Packing : 1,000 pcs. / Bag

Poles	Dimensions(mm)	
	A	B
2	3.96	7.92
3	7.92	11.88
4	11.88	15.84
5	15.84	19.80
6	19.80	23.76
7	23.76	27.72
8	27.72	31.68
9	31.68	35.64
10	35.64	39.60
11	39.60	43.56
12	43.56	47.52
13	47.52	51.48
14	51.48	55.44
15	55.44	59.40
16	59.40	63.36

 喬訊電子工業股份有限公司  
CHYAO SHIUNN  
ELECTRONIC INDUSTRIAL LTD.

APPROVED BY	SCALE	UNIT	TOLERANCE	LTR	REVISION RECORD	NAME	DATE	LTR	REVISION RECORD	NAME	DATE
張育瑞		mm	.0 ±0.30	$\Delta$	變更原因遺失	余秀麗					
CHECKED BY	PROJ	VER NO.	.00 ±0.20	$\Delta$	ECR 200804-004:增加5.60尺寸標註	黃科源	08/04/08				
黃科源		a5	.000 ±0.10	$\Delta$	ECR 200806-026:Poles增加到16P	黃科源	08/06/24				
DRAWN BY	DATE	SIZE	ANGLE		修整物性表並增加3D圖檔ECR專用	王誠賢	10/11/20				
林豐盛	2011/07/06	A4	0° ±1°	$\Delta$	增加Holding Type	林豐盛	11/07/06				
			0° ±	$\Delta$							
			SHEET	1/1	$\Delta$						

PART NO JS-4001-XX(XXX)X  
3.96mm Wire to Board Power Connector, Straight

CUSTOMER  
Conforms to The RoHS Instruction