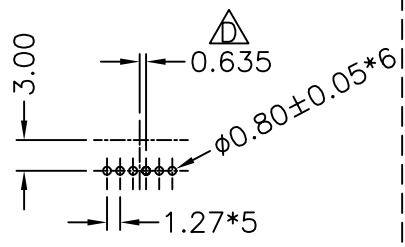
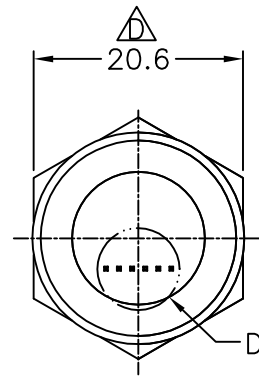


REV.	ECN NO.	DATE	SIGN	DESCRIPTION
B	LE3-730249			
C	LEN-7B0144	2007/11/15	Gao Ling	Modify Panel Thickness
D	LEN-8B0687	2008/11/24	TOMMY	ADD DIMENSION

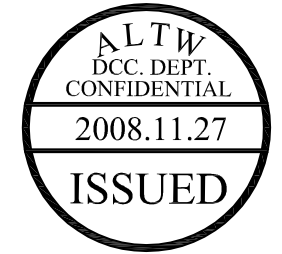
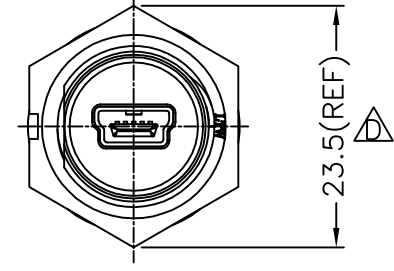
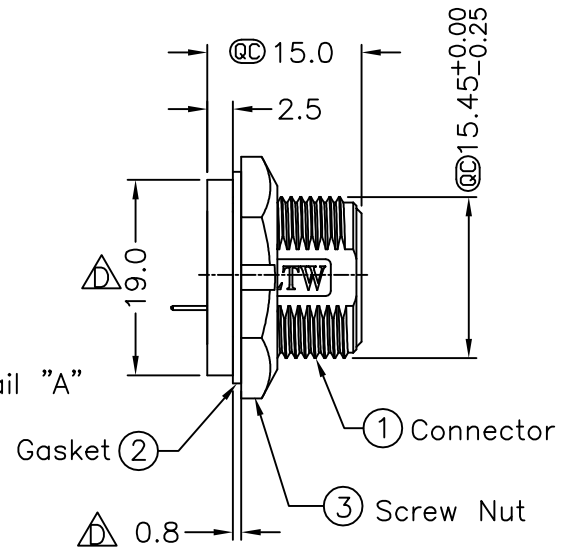
THIS DOCUMENT IS SUBJECT TO CHANGE WITHOUT NOTICE. IT IS CONFIDENTIAL AND A PROPERTY OF Amphenol LTW. DISCLOSURE TO THIRD PARTY HAS TO BE AUTHORIZED BY Amphenol LTW.



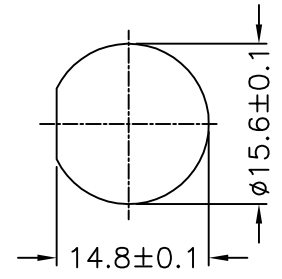
PCB Layout



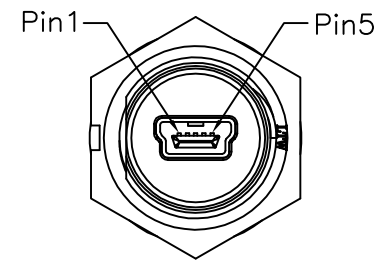
Detail "A"



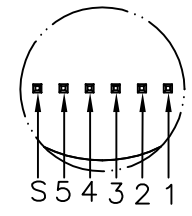
- Note:
- * @C Important Dimension.
 - * Waterproof Rate: IP67
 - * Housing: Nylon+GF
 - * Screw Nut: Nylon+GF
 - * Gasket: EPDM
 - * Connector: Mini USB Dip Type
 - * Wafer: 1.27mm Pitch
 - * Use with waterproof cap or dust cap For Panel Thickness Max: 1.3mm
 - * Use without waterproof cap or dust cap For Panel Thickness Max: 2.5mm



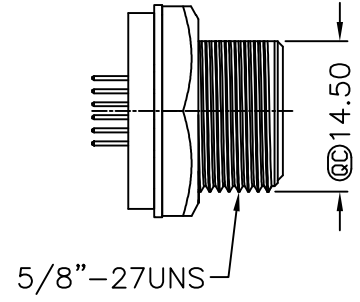
Recommended Panel Cut-Out



Pin Assignments Front View 前視圖



Detail A Scale 2:1



UNIT:mm	
TOLERANCE	
.X	±0.25
.XX	±0.1
.XXX	±0.05
ANGLES	±1'

TITLE Mini USB Panel 180°	
SCALE Free	SHEET 1 OF 1
REV. D	SIZE A4
@C :Inspection Item	

Amphenol LTW
安費諾亮泰企業股份有限公司

ITEM NO NUB-20PMFP-SC7001	DRAWN BY TOMMY	DATE 2008/11/24
DWG NO NUB-20PMFP-SC7001	CHECKED BY IVAN	DATE 2008/11/24
CUSTOMER ALTW	APPROVED BY LUKE	DATE 2008/11/24

DATE 2008/11/24
DATE 2008/11/24
DATE 2008/11/24