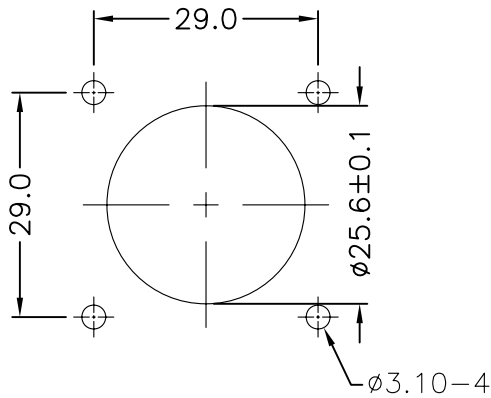
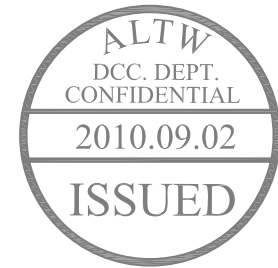
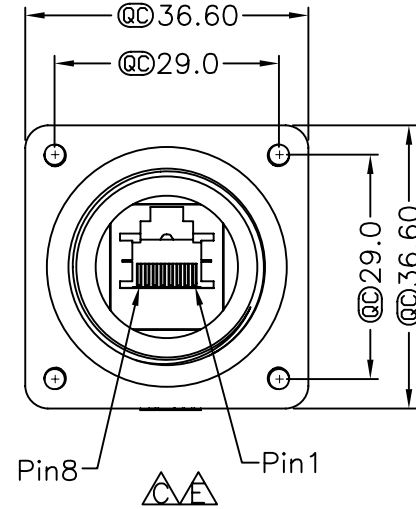
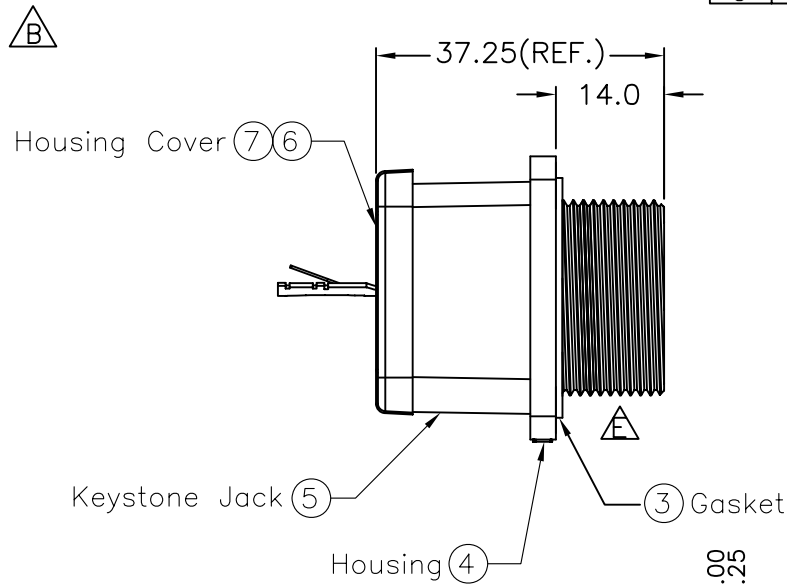
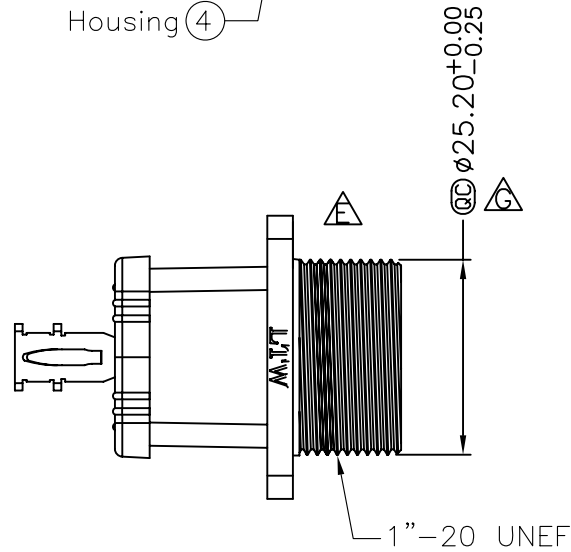


REV.	ECN NO.	DATE	SIGN	DESCRIPTION
E	LEN-920396	2009/02/04	TOMMY	Update Drawing
F	LE3-080034	2010/08/12	Kevin Wang	Update Drawing
G	LEN-090066	2010/08/30	Kevin Wang	Modify The Drawing

THIS DOCUMENT IS SUBJECT TO CHANGE WITHOUT NOTICE. IT IS CONFIDENTIAL AND A PROPERTY OF Amphenol LTW. DISCLOSE TO THIRD PARTY HAS TO BE AUTHORIZED BY Amphenol LTW.



Recommended Panel Cut-Out



Note:

- * @C Important Dimension.
- * Waterproof Rate: IP67
- * Housing: Silver, Zinc
- * Gasket: Silicone, Black
- * Gasket: EPDM, Black
- * Use Without Waterproof Cap or Dust Cap For Panel Thickness Max 4.0mm
- * Jack: CAT.5E, Shielded.

UNIT:mm	
TOLERANCE	
.X	±0.25
.XX	±0.1
.XXX	±0.05
ANGLES	±1°

TITLE		RJ45 Panel Screw 5E F Conn F Pin	
SCALE	Free	SHEET	1 OF 4
REV.	G	SIZE	A4
		@C	:Inspection Item

Amphenol LTW
安費諾亮泰企業股份有限公司

ITEM NO	LTWRJS-5EPFFD-SS7001
DWG NO	LTWRJS-5EPFFD-SS7001
CUSTOMER	

DRAWN BY	Kevin Wang
CHECKED BY	Vicky
APPROVED BY	Luke

DATE	2010/08/30
DATE	2010/08/30
DATE	2010/08/30

組裝方式 Assembly Instruction

ALTW
CONFIDENTIAL
2010.08.30
R&D DEPT.

ALTW
DCC. DEPT.
CONFIDENTIAL
2010.09.02
ISSUED

<p>M (Step1.According I568A or I568B to crimp the lines to connector body)</p>	<p>步驟2.裝Cover (Step2.Insert the body cover)</p>	<p>步驟3.裝前鐵殼 (Step3.Insert the front shield)</p>
<p>步驟4.裝上鐵殼(上鐵殼需與前鐵殼卡扣住) (Step4.Insert the top shield to lock the front shield)</p>	<p>步驟5.裝下鐵殼(鐵殼需越過Conn.固定處) (Step5.Insert the bottom shield to fix on the connector body, Then mate with top shield)</p>	<p>步驟6.將Cable用束線帶固定於夾線端(地線壓於Cable下方) (Step6.Use the cable tie to fix the cable and bottom shield.The ground line through between the bottom shield and cable)</p>
<p>步驟7.裝入鐵殼Housing (Step7.Assembly the left cover)</p>	<p>步驟8.裝後擋塊1 (Step8.Assembly the left cover)</p>	<p>步驟9.裝後擋塊2 (Step9.Assembly the left cover)</p>

UNIT:mm	
TOLERANCE	
.X	±0.25
.XX	±0.1
.XXX	±0.05
ANGLES	±1'

TITLE		RJ45 Panel Screw 06 F Conn F Pin	
SCALE	Free	SHEET	2 OF 4
REV.	F	SIZE	A4
		© :Inspection Item	

Amphenol LTW
安費諾亮泰企業股份有限公司

ITEM NO	LTWRJS-06PFFD-SS7001
DWG NO	LTWRJS-06PFFD-SS7001
CUSTOMER	

DRAWN BY	Kevin Wang
CHECKED BY	Vicky
APPROVED BY	Luke

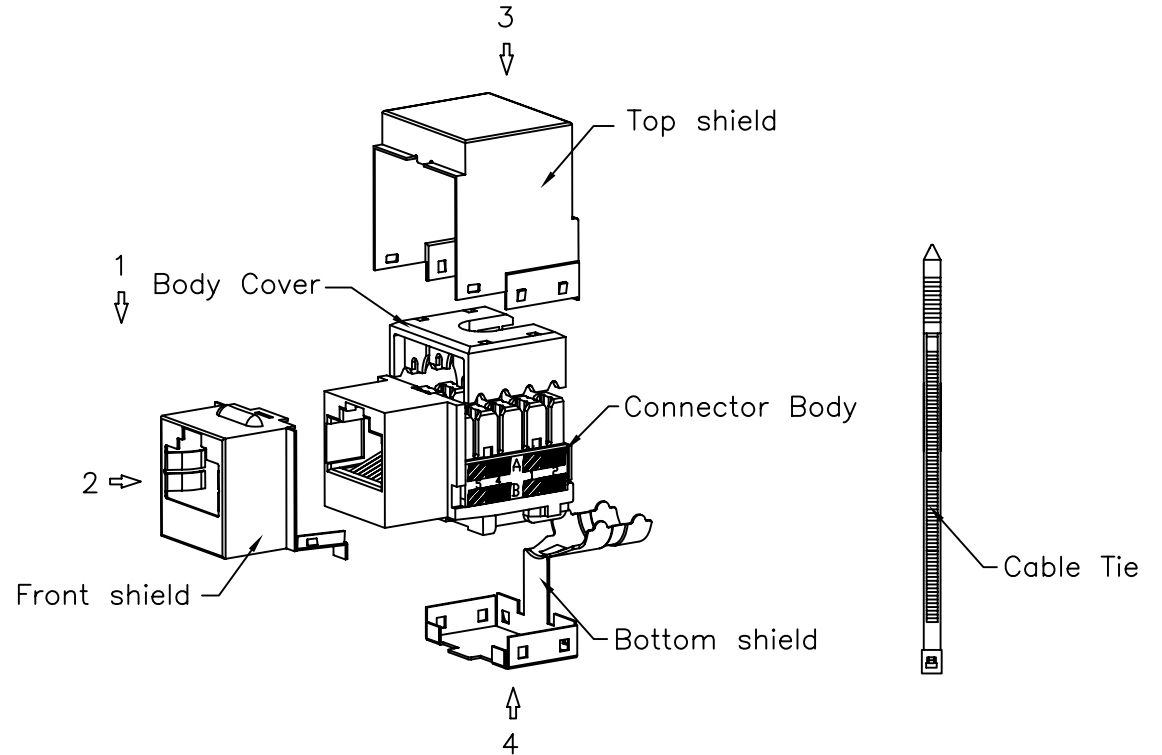
DATE	2010/08/30
DATE	2010/08/30
DATE	2010/08/30

THIS DOCUMENT IS SUBJECT TO CHANGE WITHOUT NOTICE. IT IS CONFIDENTIAL AND A PROPERTY OF Amphenol LTW. DISCLOSURE TO THIRD PARTY HAS TO BE AUTHORIZED BY Amphenol LTW.



步驟10.完成圖
(Step10.Finish)

Jack 拆解圖 Jack Identification



UNIT:mm	
TOLERANCE	
.X	±0.25
.XX	±0.1
.XXX	±0.05
ANGLES	±1'

TITLE		RJ45 Panel Screw 06 F Conn F Pin	
SCALE	Free	SHEET	3 OF 4
REV.	F	SIZE	A4
		QC :Inspection Item	

Amphenol LTW
安費諾亮泰企業股份有限公司

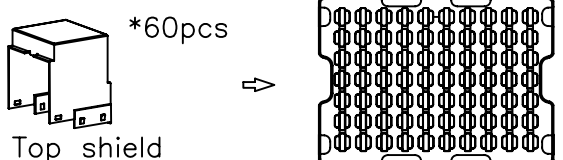
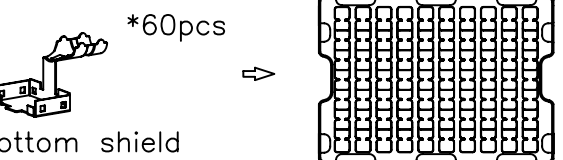
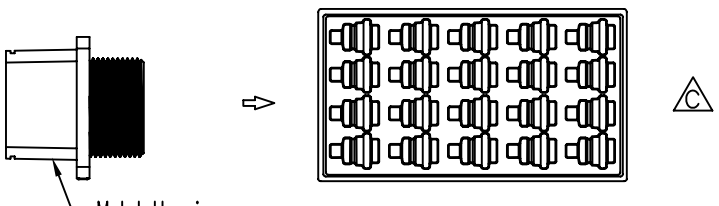
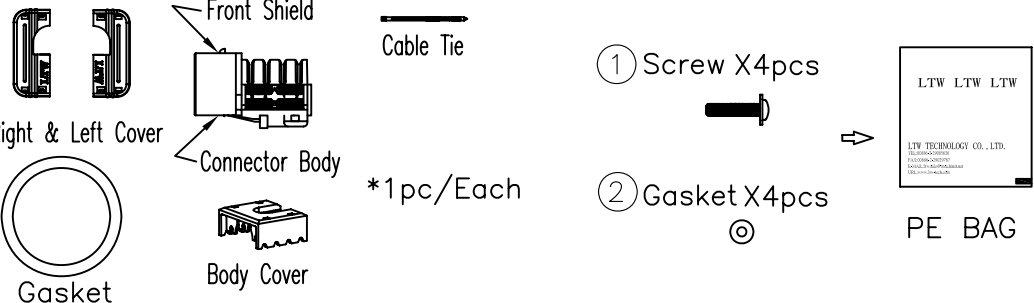
ITEM NO	LTWRJS-06PFFD-SS7001
DWG NO	LTWRJS-06PFFD-SS7001
CUSTOMER	

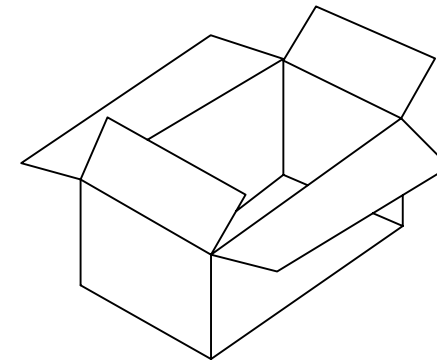
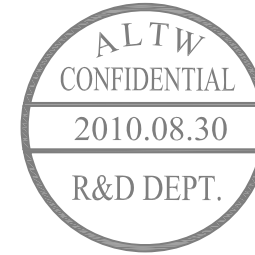
DRAWN BY	Kevin Wang
CHECKED BY	Vicky
APPROVED BY	Luke

DATE	2010/08/30
DATE	2010/08/30
DATE	2010/08/30

THIS DOCUMENT IS SUBJECT TO CHANGE WITHOUT NOTICE. IT IS CONFIDENTIAL AND A PROPERTY OF Amphenol LTW. DISCLOSE TO THIRD PARTY HAS TO BE AUTHORIZED BY Amphenol LTW.

包裝方式 Method of Package

 <p>*60pcs Top shield</p>	*1
 <p>*60pcs Bottom shield</p>	*1
 <p>*20pcs Metal Housing</p>	*3
 <p>Right & Left Cover Front Shield Connector Body Gasket Body Cover Cable Tie ① Screw X4pcs ② Gasket X4pcs *1pc/Each PE BAG</p>	*60



HCR00010016



UNIT:mm	
TOLERANCE	
.X	±0.25
.XX	±0.1
.XXX	±0.05
ANGLES	±1°

TITLE		RJ45 Panel Screw 06 F Conn F Pin	
SCALE	Free	SHEET	4 OF 4
REV.	F	SIZE	A4
		Ⓞ : Inspection Item	

Amphenol LTW
安費諾亮泰企業股份有限公司

ITEM NO	LTWRJS-06PFFD-SS7001
DWG NO	LTWRJS-06PFFD-SS7001
CUSTOMER	

DRAWN BY	Kevin Wang
CHECKED BY	Vicky
APPROVED BY	Luke

DATE	2010/08/30
DATE	2010/08/30
DATE	2010/08/30

THIS DOCUMENT IS SUBJECT TO CHANGE WITHOUT NOTICE. IT IS CONFIDENTIAL AND A PROPERTY OF Amphenol LTW. DISCLOSURE TO THIRD PARTY HAS TO BE AUTHORIZED BY Amphenol LTW.