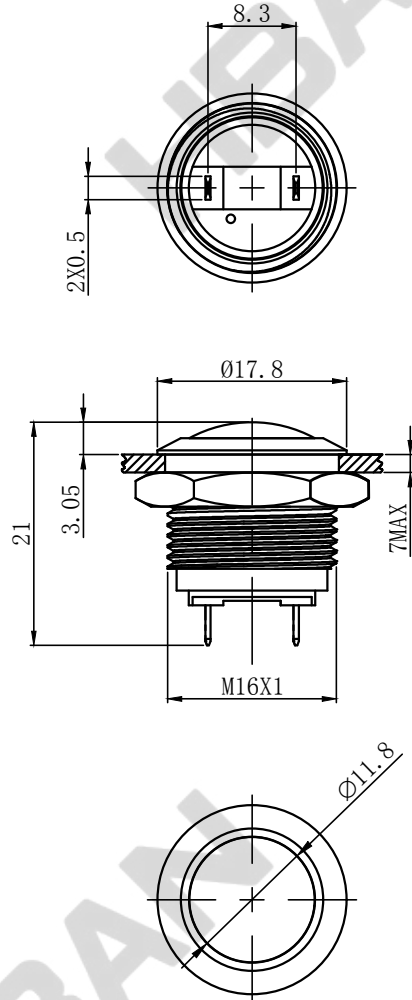
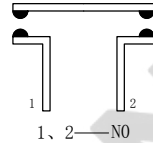


UNIT: mm (毫米)

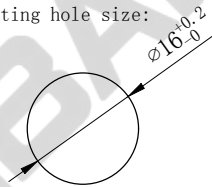
HBAN
红波



开关结构说明:
Switch structure description:



安装孔尺寸:
Mounting hole size:



Technical requirements:

1. The surface is smooth without burr
2. Rated voltage: 1th: 3A Ui: 250V
3. Working environment temperature: -25 ~ +65
4. Operation type: Momentary
5. Movement stroke: About 1.8 mm
6. Connection form: Matching connectors/Welding wire
7. Tightening torque: About 0.6 nm
8. Contact configuration: 1NO
9. Appearance material:
Button surface: Stainless steel/Nickel-plated brass
Housing: Stainless steel/Nickel-plated brass
Base: PBT
Contact: Silver alloy

Performance requirements:

1. Protection grade: IP65
2. Contact resistance: 50 m
3. Insulation resistance: 100 m
4. Dielectric Intensity: AC2500V, 1 min, No flicker or breakdown
5. Life:
Electrical part: No abnormal movement for 50,000 times, under rated load
Mechanical part: No abnormal movement for 1,000,000 times

描 图

描 校

底 图 号

装 订 号

					SHANGHAI HONGBO ELECTRIC CO., LTD.
					上海红波电器有限公司
标 记	处 数	更改文件号	签 字	日 期	名称(TITLE): M16 Metal waterproof push button switch
DR. 制 图	APPD. 审 核	SCALE. 比 例	countersign. 会 签	Date. 日 期	M16金属防水按钮开关
黄	陈秋霞	1.5:1		2022.8.15	图号(DWG NO): HBGQ16B-10/J/S(N)
PW. 单 重		P. 页 码	第1页 共1页(1/1)		