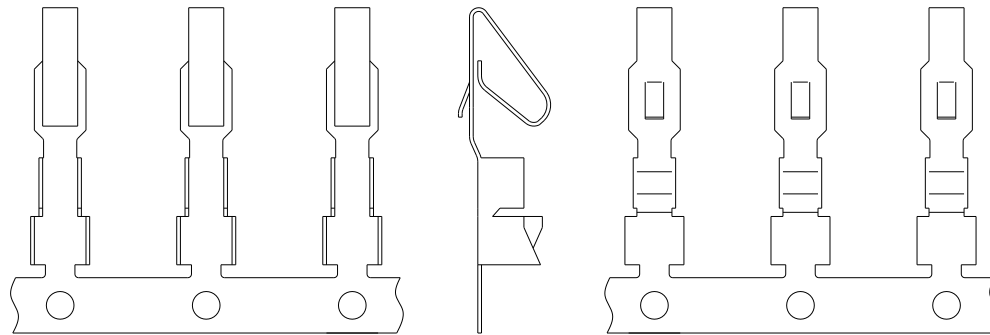


Specifications:

Contact Resistance: 30mΩ max.at DC 100 mA  
 Insulator resistance: 1000MΩ min.at DC 500V  
 Current Rating: 1AMP

Dielectric Withstanding

Voltage: AC 500V For 1 minute  
 Operating Temperature: -55°C---+105°C  
 Contact: Phosphor Bronze  
 Housing: Nylon 66(UL 94V-0)



设计/Designed by	绘图/Drawing by	审核/Checked by	批准/Approved by	未注公差 General Tolerance	
				x. ±0.2	x.' ±2°
				.x ±0.1	.x' ±1°
				.xx ±0.05	.xx' ±0.5°
				.xxx ±0.01	
		图名/Title	文件编号/File No.		
		134(3.96)F 产品图	页序/Sheet		
		备注/Remark		单位/Units: mm	