



SPC-15 Series

Full IP-65 Stainless Steel Chassis
Fanless Touch Panel PC



Features

- Water Proof Solution, Full IP-65 Rating
- Stainless and Aluminum Housings Chassis Design
- SPC-1505: Intel® Atom™ D525 Dual Core 1.8GHz CPU
SPC-1507: Intel® Cedarview D2700 2.13GHz CPU
SPC-15A4: AMD eOntario T40E 1.0 GHz CPU
- 1 Gigabit Ethernet, 1 COM, 3 USB
- 1 Membrane Power Button
- Wide Voltage +12V ~ +28V Input, ErP Power
- Power-on Timer



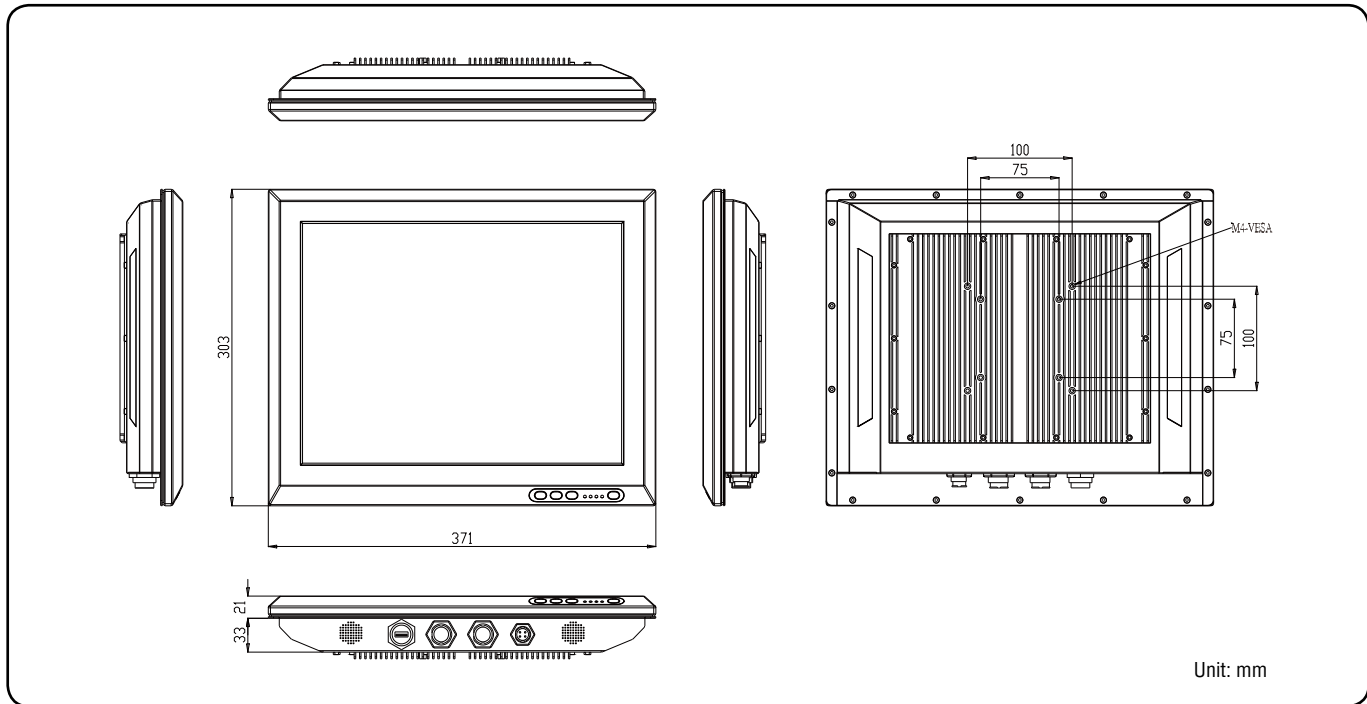
Specifications

| Model Name | SPC-1505 | SPC-1507 | SPC-15A4 |
|----------------------|---|---|--|
| • LCD Size | 15", 4:3 | 15", 4:3 | 15", 4:3 |
| • Resolution | 1024 x 768, XGA | 1024 x 768, XGA | 1024 x 768, XGA |
| • Pixel Pitch | 0.297mm (H) x 0.297mm (V) | 0.297mm (H) x 0.297mm (V) | 0.297mm (H) x 0.297mm (V) |
| • Luminance | 300cd/m ² | 300cd/m ² | 300cd/m ² |
| • Contrast Ratio | 700 | 700 | 700 |
| • Viewing Angle | 70 (U), 70 (D), 75 (L), 75 (R) | 70 (U), 70 (D), 75 (L), 75 (R) | 70 (U), 70 (D), 75 (L), 75 (R) |
| • Response Time | 8ms | 8ms | 8ms |
| • Backlight | CCFL | CCFL | CCFL |
| • Touch Screen | 5-wire Resistive | 5-wire Resistive | 5-wire Resistive |
| • Light Transmission | 80% | 80% | 80% |
| • Touch Interface | USB | USB | USB |
| System | | | |
| • Board | EBM-PNV | EBM-CDV | EBM-A50M |
| • CPU | Onboard Intel® Atom™ D525 Dual Core 1.8GHz CPU | Onboard Intel® Atom™ Cedarview Dual-Core D2700 2.13GHz CPU | Onboard AMD eOntario T40E 1.0GHz CPU |
| • System Chipset | Intel® ICH8-M Chipset | Intel® NM10 Chipset | AMD A50M Chipset |
| • I/O Chip | Nuvoton W83627DHG-P | E/C IT8518E | Nuvoton W83627DHG-P |
| • System Memory | Onboard 1GB SDRAM and One SODIMM Supports Up to 3GB DDR3 800MHz SDRAM | One 204-pin SODIMM Supports Up to 4GB DDR3 1066MHz SDRAM | Onboard 2GB DDR3 and One 204-pin SODIMM Supports Up to 4GB DDR3 1066MHz SDRAM |
| • SSD | One CF Socket by IDE Secondary Slave Channel Supports Type I/II Compact Flash Card | One CF Socket by IDE Secondary Slave Channel Supports Type I/II Compact Flash Card | One CF Socket by IDE Secondary Slave Channel Supports Type I/II Compact Flash Card |
| • Hard Driver Bay | One 2.5" SATA HDD | One 2.5" SATA HDD | One 2.5" SATA HDD |
| • Watchdog Timer | Reset: 1sec. ~ 255min. and 1sec. or 1min./step | Reset: 1sec. ~ 255min. and 1sec. or 1min./step | Reset: 1sec. ~ 255min. and 1sec. or 1min./step |
| • H/W Status Monitor | Monitoring System Temperature, Voltage, and Cooling Fan Status. with Auto Throttling Control | Monitoring System Temperature, Voltage, and Cooling Fan Status. with Auto Throttling Control | Monitoring System Temperature, Voltage, and Cooling Fan Status. with Auto Throttling Control |
| • Expansion | 2 x Mini PCIe Slot | 1 x Mini PCIe Slot, Optional Supports mSATA | 2 x Mini PCIe Slot |
| Rear I/O | | | |
| • Serial Port | 1 x RS-232 (Water Proof, IP-67 Rating) | 1 x RS-232 (Water Proof, IP-67 Rating) | 1 x RS-232 (Water Proof, IP-67 Rating) |
| • Ethernet | 1 x RJ-45 (Water Proof, IP-67 Rating) (Intel® 82574L Gigabit Ethernet, Optional Dual 82574L Gigabit Ethernet) | 1 x RJ-45 (Water Proof, IP-67 Rating) (Intel® 82574L Gigabit Ethernet, Optional Dual 82574L Gigabit Ethernet) | 1 x RJ-45 (Water Proof, IP-67 Rating) (Realtek RTL8111E Ethernet, Supports Wake on LAN) |
| • USB | 3 x USB 2.0 (Water Proof, IP-67 Rating) | 3 x USB 2.0 (Water Proof, IP-67 Rating) | 3 x USB 2.0 (Water Proof, IP-67 Rating) |
| • Power Switch | 1 x Membrane Power Button | 1 x Membrane Power Button | 1 x Membrane Power Button |
| • Power Input | 1 x DC-in (Water Proof, IP-67 Rating) | 1 x DC-in (Water Proof, IP-67 Rating) | 1 x DC-in (Water Proof, IP-67 Rating) |

SPC Series



Diagram



Environment & Mechanical

- **Color** Front & Rear Panel Silver
- **Mounting** VESA/ Wall/ Stand 75mm x 75mm & 100mm x 100mm
- **System Power Requirement** +12 ~ 28V DC Power Input
- **Power Adapter** Input: 100 ~ 250VAC/ 47 ~ 63Hz
Output: 60W Adapter (12V @ 5A Adapter)
- **Operating Temperature** 0 ~ 40°C (32 ~ 104°F)
- **Storage Temperature** -20 ~ 60°C (-4 ~ 140°F)
- **Relative Humidity** 5% ~ 90% Relative Humidity, Non-condensing
- **Dimensions (W x D x H)** 371mm x 303mm x 60mm
- **Weight** 6.42Kgs

Ordering Information

- **SPC-1505**
15" XGA TFT Touch Panel PC with Intel® Atom™ D525 Dual Core 1.8GHz CPU
- **SPC-1507**
15" XGA TFT Touch Panel PC with Intel® Cedarview D2700 2.13GHz CPU
- **SPC-15A4**
15" XGA TFT Touch Panel PC with AMD eOntario T40E Dual-Core 1.0GHz CPU
- **ACC-SPC-WIFIUSB-2R**
USB WiFi 802.11 b/g/n Module w/ Antenna, Cable
- **ACC-ARM-D1R**
VESA Stand, 75 & 100mm
- **ACC-ARM-D8R**
Wall Mount Bracket VESA 75 & 100mm
- **ACC-ARM-D19R**
L Type Stylish Table Stand VESA 75 & 100mm
- **ACC-CF-XX**
CompactFlash Card Series (xx=Capacity, Capacity Option: 128, 256, 512MB, 1, 2, 4, 8GB)

1
LPC
Series

2
APC
Series

3
PPC
Series

4
FPC
Series

5
MPC
Series

6
OPM
Series

7
SPC
Series

8
MTP
Series

9
RISC
Series

10
ACC