



IAP-W420+/W422+

**Industrial outdoor IEEE 802.11 b/g/n wireless access point
with 2x10/100Base-T(X) PoE P.D., IP-67 grade**

Features

- High Speed Air Connectivity: WLAN interface support up to 300Mbps link speed
- Highly Security Capability: WEP/WPA/WPA-PSK(TKIP,AES)/WPA2/WPA2-PSK(TKIP,AES)/802.1X Authentication supported
- High throughput > **80Mbps**
- High power output **800mw** Max.
- Far Distance Air Connectivity up to **7 KM** (IAP-W420+)
- Support **X-Roaming** < 100 ms
- Support AP/Bridge/Client/AP-Client Mode
- Wireless connecting status monitoring
- HTTPs protocol supported for secured management
- Event Warning by Syslog, Email, SNMP Trap
- Rigid **IP-67** housing design
- Pole-mount enabled



Introduction

IAP-W420+ / W422+ is a reliable IP-67 outdoor IEEE 802.11 b/g/n WLAN Access Point with 1 PoE P.D. Ethernet port. It can be configured to operate in AP/Bridge/AP-Client/Client mode. It is specifically designed for the toughest industrial environments. In combination with its IP-67 design and the superb management functionality, IAP-W420+ / W422+ provides a waterproof, dust-tight connection. In addition, IAP-W420+ provides high power output of 500mw and high throughput up to 80Mbps to satisfy far distance connection. IAP-W422+ provides two N-type connectors, which can install any N-type antennas to extend communication distance. You are able to configure IAP-W420+ / W422+ by WEB interface via LAN port or WLAN interface. In addition, IAP-W420+ / W422+ also provides P.D. feature which is fully compliant with IEEE802.3af PoE P.D. specification to save the layout cost of power line. The IAP-W420+ / W422+ can be easily adopted in almost all kinds of applications and provides the most rugged solutions for managing your network in outdoor. Therefore, IAP-W420+ / W422+ is one of the best outdoor communication solutions for wireless applications

Application

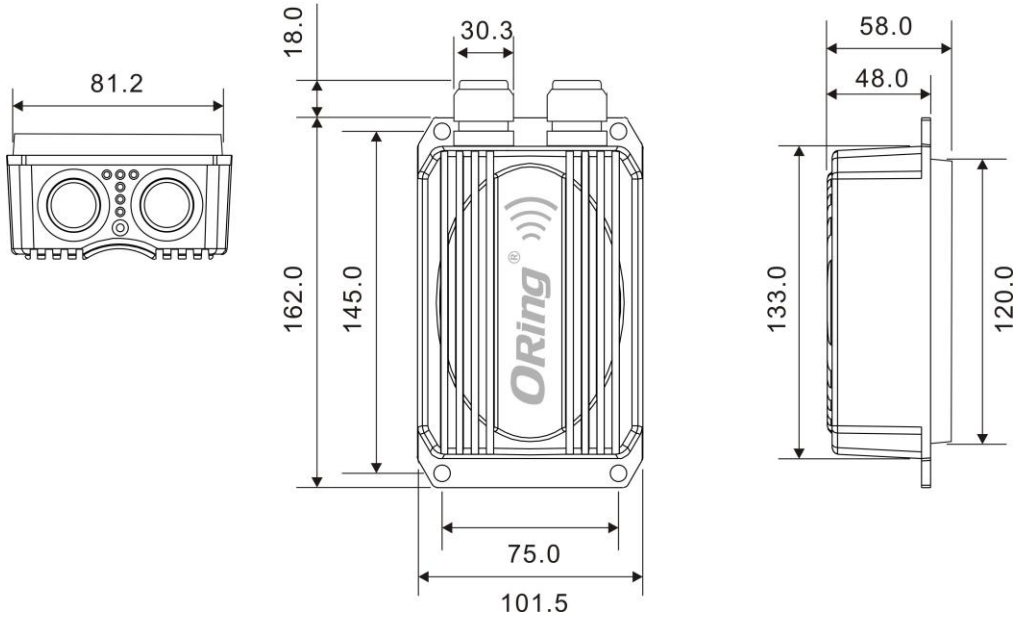
In practical operation of wireless access point, Windows utility (Open-Vision) is supported. This utility is very helpful for you to search and configure IP of access point on the industrial wireless network. In addition, the wireless access point

support various kinds of operation modes include AP/ Bridge/AP-Client/Client mode. IAP-W420+ also can connect to each other up to 7,000 meters with built-in panel antenna.

Dimension

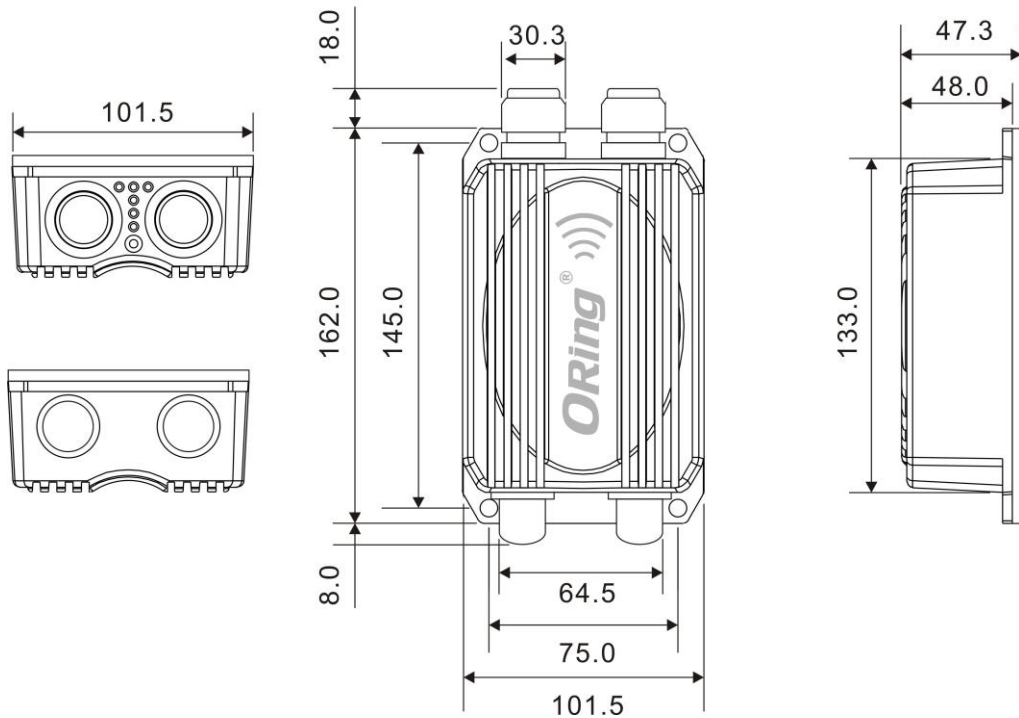
IAP-W420+

Dimension (Unit =mm)



IAP-W422+

Dimension (Unit =mm)



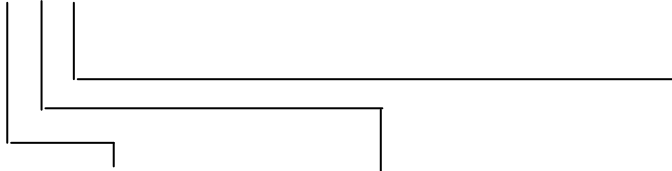
Specifications

| ORing WLAN Access Point Model | IAP-W420+ | IAP-W422+ |
|---|--|--|
| Physical Ports | | |
| 10/100 Base-T(X) Ports in RJ45 Auto MDI/MDIX | 2(one port with PoE) | |
| WLAN interface | | |
| Operating Mode | AP/Bridge/AP-Client/Client | |
| Antenna Connector | Build-in 10dBi panel antenna | 2 x External N-type antenna connector |
| Radio Frequency Type | OFDM | |
| Modulation | IEEE802.11b: CCK, DQPSK, DBPSK IEEE802.11g/n: OFDM with BPSK, QPSK, 16QAM, 64QAM | |
| Frequency Band | America / FCC : 2.412~2.462 GHz (11 channels) Europe CE / ETSI: 2.412~2.472 GHz (13 channels) | |
| Transmission Rate | IEEE802.11b: 11, 5.5, 2, 1 Mbps; IEEE 802.11g: 54, 48, 36, 24, 18, 12, 9, 6 Mbps IEEE 802.11n: up to 300Mbps | |
| Transmit Power | 800mw Max. | |
| Receiver Sensitivity | -96dBi ± 2dBi | |
| Encryption Security | WEP: (64-bit ,128-bit key supported) WPA/WPA2 :802.11i(WEP and AES encryption) WPAPSK (256-bit key pre-shared key supported) 802.1X Authentication supported TKIP encryption | |
| Wireless Security | SSID broadcast disable | |
| Protocol Support | | |
| Protocol | ARP,BOOTP, DHCP, DNS, HTTPs, IP, ICMP, SNTP, TCP, UDP, RADIUS, SNMP, STP (IEEE 802.1D) | |
| LED indicators | | |
| Power indicator | 1 x LED, Green On: Power(PoE) is on and functioning Normally. | |
| 10/100Base-T(X) RJ45 port indicator | 2 x LED, Green On: Port Link / Act, Blinking: data transmission | |
| WLAN LED | 3 x LED, Green for WLAN Strength: 1<30%, 2<60%, 3<90% | |
| Power | | |
| Input power | 48VDC from P.o.E | |
| Power consumption (Typ.) | 9watts | |
| Physical Characteristic | | |
| Enclosure | IP-67 | |
| Dimension (W x D x H) | 162(W)x 102(D)x 58(H) mm (6.38x 4.02x 2.28 inch.) | 162(W)x 102(D)x 48(H) mm (6.38x 4.02x 1.89 inch.) |
| Weight (g) | 720 g | 790 g |
| Environmental | | |
| Storage Temperature | -30 to 85°C (-22 to 185°F) | |
| Operating Temperature | -20 to 70°C (-4 to 158°F) | |
| Operating Humidity | 100% Non-condensing | |
| Regulatory approvals | | |
| EMI | FCC Part 15, CISPR (EN55022) class A | |
| EMS | EN61000-4-2 (ESD), EN61000-4-3 (RS), EN61000-4-4 (EFT), EN61000-4-5 (Surge), EN61000-4-6 (CS), EN61000-4-8, EN61000-4-11 | |
| Shock | IEC60068-2-27 | |
| Free Fall | IEC60068-2-32 | |
| Vibration | IEC60068-2-6 | |

| | |
|----------|-----------|
| Safety | EN60950-1 |
| Warranty | 3 years |

Ordering Information

IAP-W **A** **B** **C** +



| Code Definition | Wireless Mode | 10/100Base-T(X) Port Number | Antenna Connector Number |
|-----------------|--|-----------------------------|--------------------------|
| Option | - 1: 802.11 b/g - 2: 802.11 a - 3: 802.11 a/b/g - 4: 802.11 b/g/n - 5: 802.11 a/n - 6: 802.11 a/b/g/n | -"2": 2 port | -"2": 2 connectors |

| | Model Name | Description |
|-----------------|--------------|---|
| Available Model | IAP-W420+_US | Industrial outdoor IEEE 802.11 b/g/n wireless access point with 2x10/100Base-T(X), IP-67 grade, US band |
| | IAP-W420+_EU | Industrial outdoor IEEE 802.11 b/g/n wireless access point with 2x10/100Base-T(X), IP-67 grade, EU band |
| | IAP-W422+_US | Industrial outdoor IEEE 802.11 b/g/n wireless access point with 2x10/100Base-T(X), IP-67 grade, N-type antenna connector, US band |
| | IAP-W422+_EU | Industrial outdoor IEEE 802.11 b/g/n wireless access point with 2x10/100Base-T(X), IP-67 grade, N-type antenna connector, EU band |

Packing List

- IAP- W420+ / W422+ x 1
- Pole Mount Kit x 1
- CD x 1
- RJ-45 Rubber Seal x 2
- Quick Installation Guide x 1
- N-type ANT. Rubber Seal x 2 (IAP-W422+)