

SPECIFICATION FOR APPROVAL

承认书

客户名称 (CUSTOMER): _____
产品名称 (PRODUCT ITEM): NTC THERMISTOR
客户料号 (CUSTOMER PART NO.): _____
规格型号 (PART NO.): MF72-3D9kink
文件编号 (FILE NO.): APR-MF7215032
编制日期 (DATE): 2015-3-10

客户确认(CUSTOMER CONFIRM)	批准 (APPROVE)
<i>Please sign back when samples are approved,thanks!</i> <u>此承认书请在确认样品合格一周内回签, 谢谢!</u>	You Shuangqiao
	审核 (CHECK)
	Zhang Li

Shenzhen AMPRON Sensitive Components Co., Ltd.

深圳市安培龙敏感技术有限公司

工厂地址: 深圳市龙岗区平湖镇鹅公岭良白路倍光工业园一栋
Address: Bldg 1, Beiguang Industrial Park, Liangbai Road, Egongling, Pinghu, Longgang District,
Shenzhen, Guangdong, China

Tel: (86)-755 84012223 84012259 Fax: (86)-755 84012280

Http://www.ampron.com E-mail: sales@ampron.com

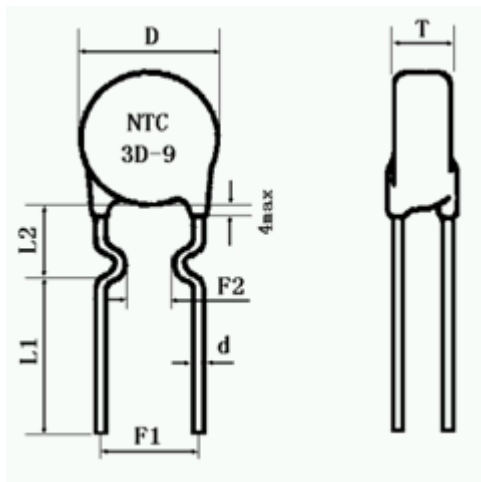


**Product specification****产品技术规格**

规格型号(PART NO.)

MF72-3D9

文件编号(FILE NO.)

■ **Application: In-rush current limiting**■ **Structure and dimensions**

Unit: mm

D	L ₁	L ₂	F ₁	F ₂	T	d
Max 11.0	Min 17	8 ± 2	7.5 ± 1	5 ± 1.5	Max 5.5	0.8 ± 0.05

Coating material: Phenolic resin**Lead material: Tinned cooper wire****Body color: Black**



Product specification

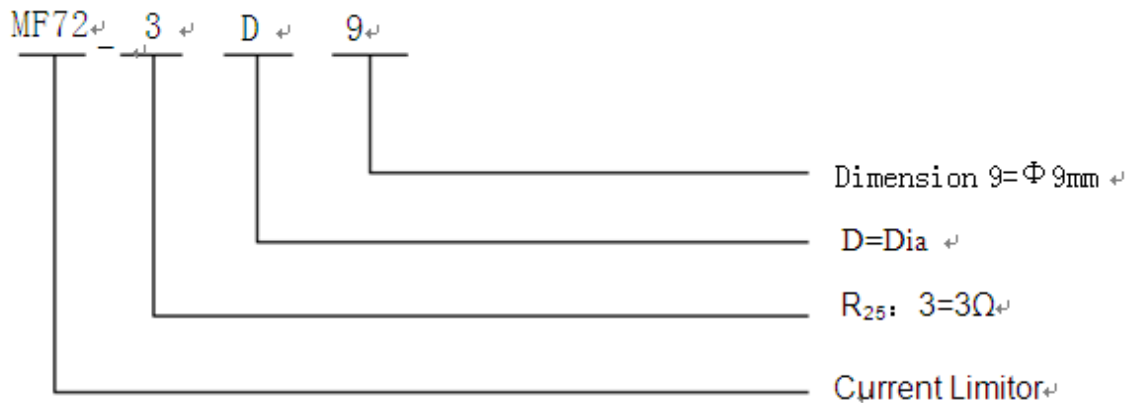
产品技术规格

规格型号(PART NO.)

MF72-3D9

文件编号(FILE NO.)

■ Part number coding



■ Electrical characteristics

Item	Symbol	Test condition	Min.	Normal	Max.	Unit
Resistance at 25°C	R ₂₅	T _a =25±0.05°C P _T ≦0.1mw	2.4	3	3.6	Ω
Max. steady current	I _{max}				4	A
B value	B _{25/50}	$B=LN \frac{R_{T1}}{R_{T2}} / (\frac{1}{T1} - \frac{1}{T2})$	2520	2800	3080	k
Dissipation factor	σ	T _a =25±0.5°C	17	/	/	mw/°C
Thermal time constant	τ	T _a =25±0.5°C	/	/	≦35	sec
Isolating resistance	/	/		/	/	MΩ
				≧500		
Operating temperature range	/	/	-55	/	+200	°C

■ Mechanical characteristics



Product specification

产品技术规格

规格型号(PART NO.)	MF72-3D9
文件编号(FILE NO.)	

Item	Technical requirement	Test condition and method/ standard
Solderability test	Soldering saturation should be over 95%	Put the terminal stained with softsolder in liquid of solder of $230\pm 5^{\circ}\text{C}$ for $2\pm 0.5\text{S}$. The distance between the body NTC bottom and liquid surface is 2-2.5mm. IEC60068-2-20 Ta /GB2423.28 Ta
Solder heat resistance test	No visible damage $\Delta R/R_{25}\leq\pm 2\%$	Put the terminal in the liquid of tin tank of $260\pm 5^{\circ}\text{C}$ for $10\pm 1\text{S}$. The distance between NTC body bottom and liquid surface is 2-2.5mm. IEC60068-2-20 Tb/GB2423.28 Tb
Terminal tensile strength test	No peeling off $\Delta R/R_{25}\leq\pm 2\%$	Ua test: stretching force 20N for 10S; Ub test:bending at angle of 90 with strength of 5N,twice IEC60068-2-21 / GB2423.29 U test

■ Reliability test

Steady Hygrothermal	At temperature of $40\pm 2^{\circ}\text{C}$,relative humidity $93\pm 3\%$, for 48 ± 2 hours,then 1 hour at normal Environment	No visible damage, marking is clear,no puncture or overflash, isoating resistance $\geq 500\text{M}\Omega$ The biggest change in resistance values in the rate of less than $\pm 25\%$
Current surge	Thermistor allows the current surge of 2000 times,which is the Max.stable current,on 15 seconds	The biggest change in resistance values in the rate of less than $\pm 15\%$



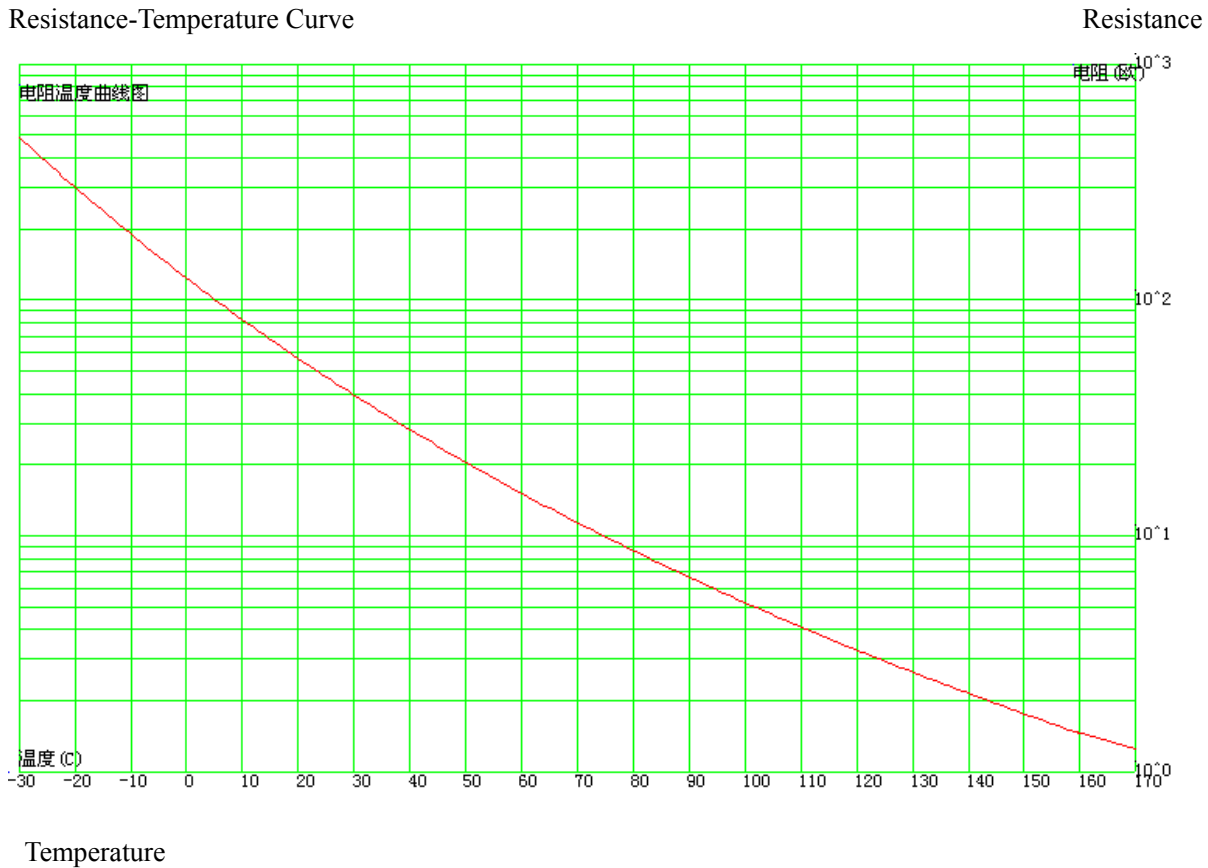
Product specification

产品技术规格

规格型号(PART NO.)	MF72-3D9
文件编号(FILE NO.)	

■ Resistance-temperature curve&voltage-current curve

Resistance-Temperature Curve





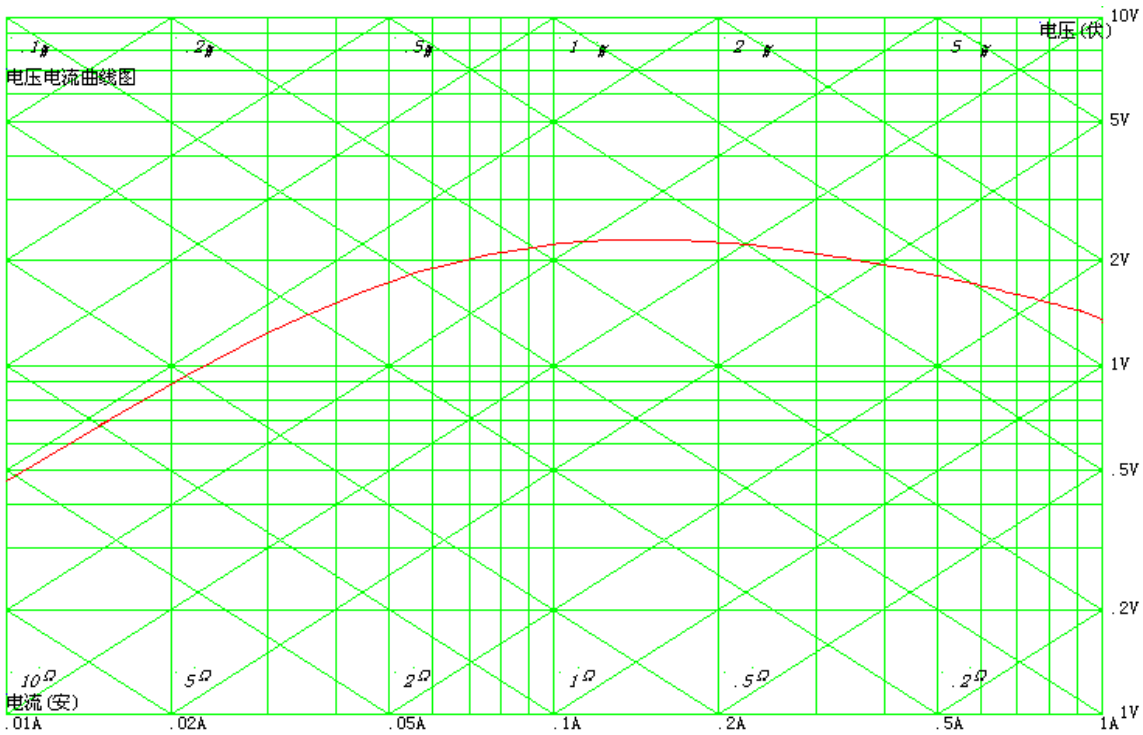
Product specification

产品技术规格

规格型号(PART NO.)	MF72-3D9
文件编号(FILE NO.)	

Voltage-Current Curve

Voltage



Current