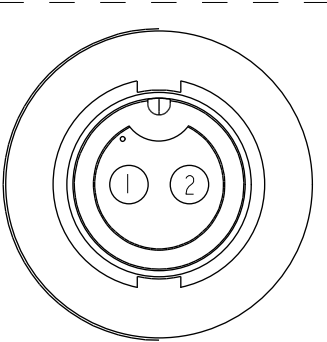
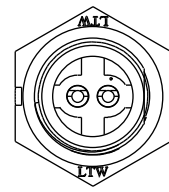
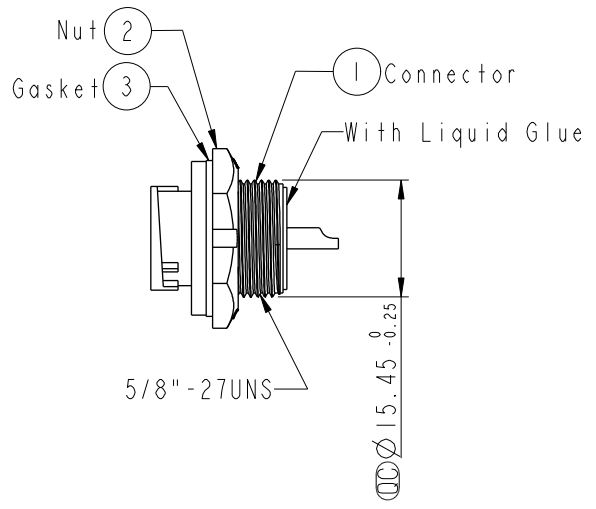
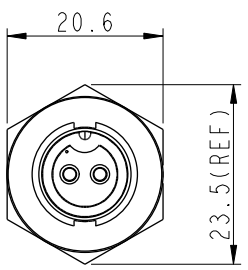


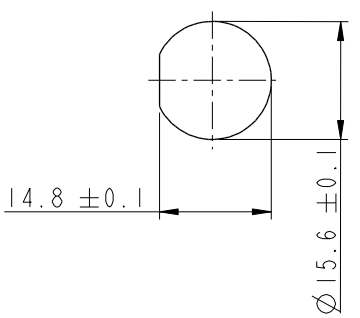
REV.	ECN NO.	DATE	SIGN	DESCRIPTION
B	LEN-8B0575	2008/09/22	Shin	Add Note

ALTW
CONFIDENTIAL
2012-03-14
R&D DEPT.

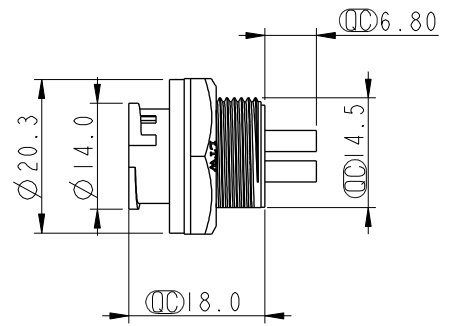
ALTW
DCC. DEPT.
CONFIDENTIAL
2012-03-20
ISSUED



Pin Assignments
Front View



Recommended Panel Cut-Out



Note:

- * \varnothing Important Dimension To Check.
- * Waterproof Rate : IP67
- * Housing: Nylon+GF, Black
- * Pin: Copper Alloy, Gold Plated
- * Nut: Black, Nylon+GF
- * Gasket: EPDM, Black
- $\triangle B$ * Use with waterproof cap or dust cap
Panel Thickness Max: 4.0mm
- $\triangle B$ * Use without waterproof cap or dust cap
Panel Thickness Max: 5.0mm

UNIT:mm		
TOLERANCE	.X ±0.25	
	.XX ±0.1	
	.XXX ±0.05	
ANGLES	±1°	

TITLE Standard, Rear Lock 2P M Conn F Pin			
SCALE 1:1	SIZE A4	SHEET 1 OF 1	
REV. B	WC-REV. A.3	\varnothing : Inspection item	

Amphenol LTW
安費諾亮泰企業股份有限公司

ITEM NO. BB-02RMFS-LC7001	DRAWN BY SamChang	DATE 2012-03-14
DWG NO. BB-02RMFS-LC7001	CHECKED BY Jeffrey	DATE 2012-03-20
CUSTOMER ALTW	APPROVED BY Kevin	DATE 2012-03-20

THIS DOCUMENT IS SUBJECT TO CHANGE WITHOUT NOTICE. IT IS CONFIDENTIAL AND A PROPERTY OF AMPHENOL LTW. DISCLOSURE TO THIRD PARTY HAS TO BE AUTHORIZED BY AMPHENOL LTW.