

eco|mate Female cable connector, No. of contacts 6 + PE, 250 V

Part No. C016 10D006 010 12

Series Circular Connectors eco|mate

Subseries Circular Connector eco|mate



View represents all available contact positions.

| COMMON CHARACTERISTICS         |                                                        |                                 |
|--------------------------------|--------------------------------------------------------|---------------------------------|
| No. of contacts                |                                                        | 6 + PE                          |
| Cable diameter                 |                                                        | 6-12.5 mm                       |
| ELECTRICAL CHARACTERISTICS     |                                                        |                                 |
| Rated voltage                  | DIN EN 60664-1 / IEC 60664-1                           | 250 V                           |
| Rated impulse voltage          | DIN EN 60664-1 / IEC 60664-1                           | 4000V                           |
| Installation category          | DIN EN 60664-1 / IEC 60664-1                           | III                             |
| Insulation group               | DIN EN 60664-1 / IEC 60664-1                           | II                              |
| Insulation resistance          | DIN EN 60512-2, Test 3a / IEC 60512-2, Test 3a         | ≥ 10 <sup>8</sup>               |
| Contact resistance             | DIN EN 60512-2, Test 2a / IEC 60512-2 Test 2a          | ≤ 5 m                           |
| Current carrying capacity      | DIN EN 60512-3, Test 5b / IEC 60512-2 Test 5b          | 13 A / + 55 °C                  |
| Pollution degree               | DIN EN 60664-1 / IEC 60664-1                           | 3                               |
| CLIMATICAL CHARACTERISTICS     |                                                        |                                 |
| Climatic category              | DIN EN 60068-1 / IEC 60068-1                           | 40 / 125 / 56                   |
| Operating temperature          |                                                        | -40°C ... +125°C                |
| MECHANICAL CHARACTERISTICS     |                                                        |                                 |
| IP degree of protection        | DIN EN 60529 / IEC 60529                               | IP 67 / IP 65                   |
| Insertion and withdrawal force | DIN EN 60512-13-2, Test 13b / IEC 60512-13-2, Test 13b | ≤ 30 N                          |
| Mechanical lifetime            |                                                        | ≥ 500 mating cycles             |
| Strain relief                  |                                                        | cable retention + clamping ring |
| MATERIALS                      |                                                        |                                 |
| Insert                         |                                                        | Polyamid (PA 6 / PA 6.6)        |
| Colour                         |                                                        | black                           |
| Contact plating                |                                                        | silver plated / gold plated     |
| Housing                        |                                                        | Polyamid (PA 6 / PA 6.6)        |
| Gasket                         |                                                        | Neoprene                        |
| FURTHER CHARACTERISTICS        |                                                        |                                 |
| Termination                    |                                                        | crimp                           |
| Wire gauge                     |                                                        | 0,14 - 1,5 mm <sup>2</sup>      |
| Flammability                   | UL 94                                                  | V-0                             |
| Locking                        |                                                        | screw                           |



1781, 1780



E63093



48932



00.0394

eco|mate Female cable connector, No. of contacts 6 + PE, 250 V

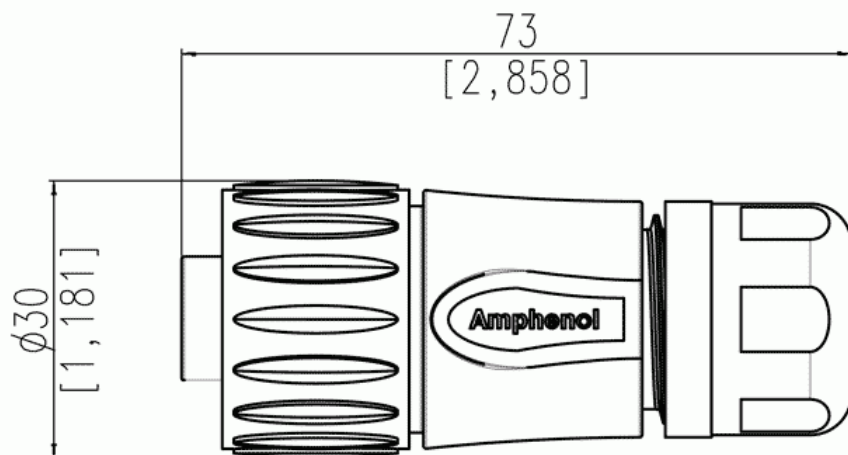
Part No. C016 10D006 010 12

Series Circular Connectors eco|mate

Subseries Circular Connector eco|mate



View represents all available contact positions.



Drawing Dimensions in mm (Inch)

26.07.2007

eco|mate Female cable connector, No. of contacts 6 + PE, 250 V

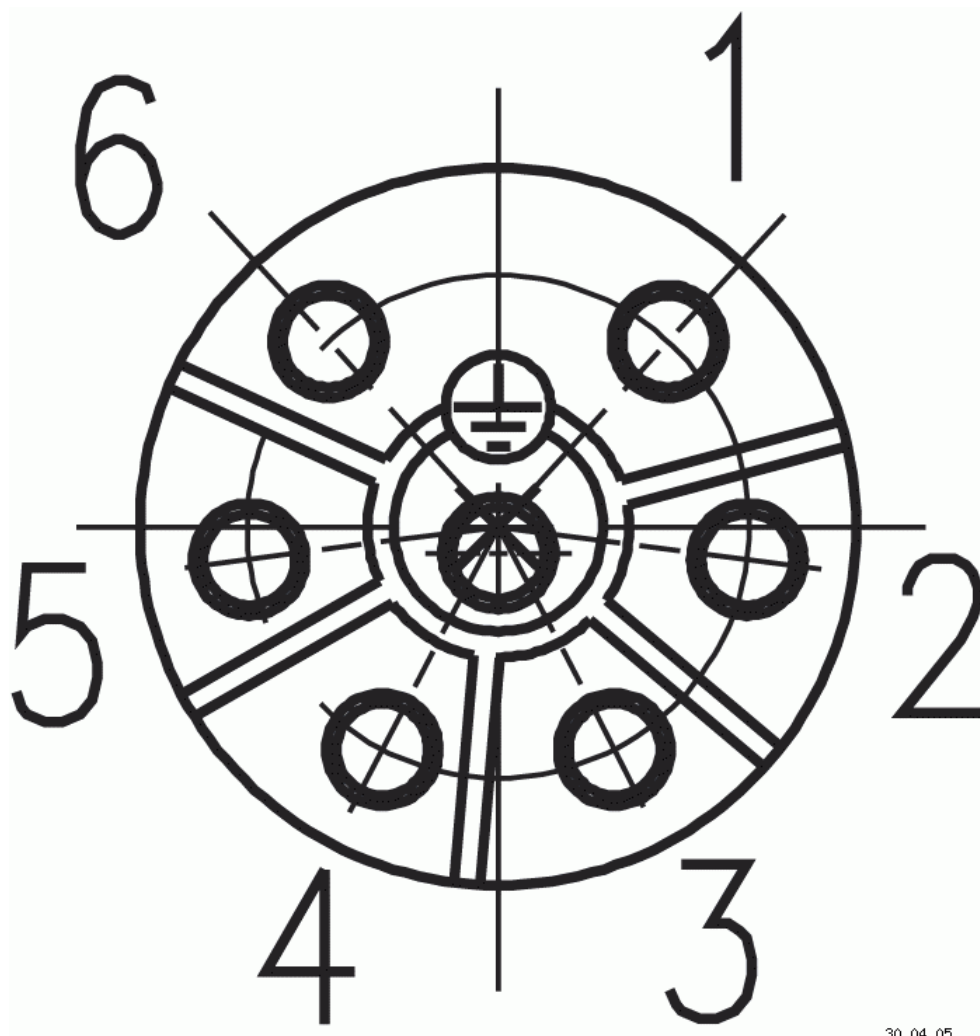
Part No. C016 10D006 010 12

Series Circular Connectors eco|mate

Subseries Circular Connector eco|mate



View represents all available contact positions.



Contact arrangement

30.04.05