

Datasheet

Slim SSD

3ME series

- SATA III solution for industrial field
- iSMART disk health monitoring
- Intelligent error recovery system
- Excellent data transfer speed
- Alternatively solution of 2.5" SSD



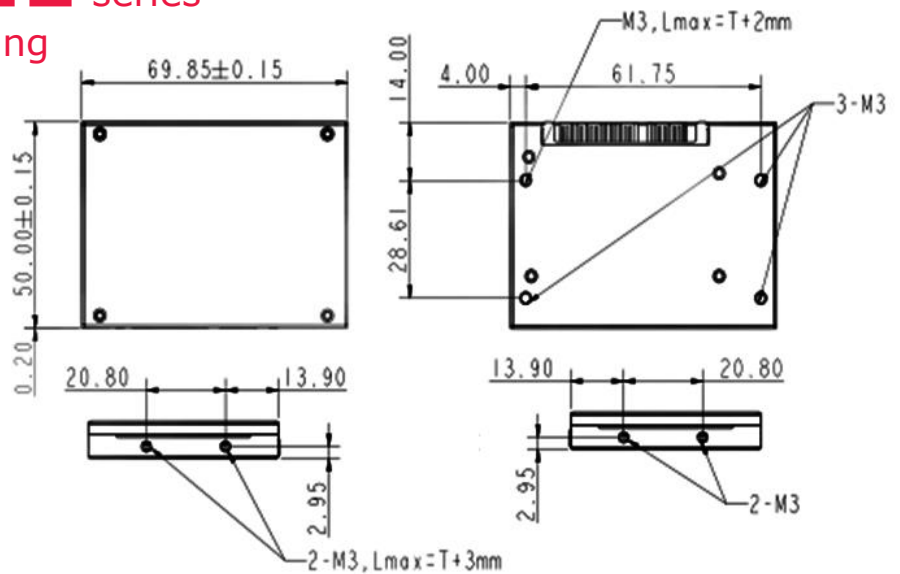
Introduction

Innodisk Slim SSD 3ME is SATA III 6Gb/s Flash based disk, which designed with standard SATA interface (7+15 SATA connector). With its smaller dimension, Slim SSD 3ME is an alternative solution of 2.5" SSD for those embedded system that may have mechanical and space concerns. Innodisk Slim SSD 3ME operates under SATA III (6.0Gb/s) interface with excellent performance and reliability making it the ideal solution for a variety of applications, including embedded system, and industrial field.

Slim SSD

3ME series

Drawing



Contact us for more information about the SATA Slim 3ME

Innodisk is a service-driven provider of industrial embedded flash and DRAM storage products and technologies, with a focus on the industrial/embedded, aerospace and defense, and cloud computing industries.

Specifications

Interface	SATA III
Flash Type	MLC
Flash P/E Cycle Limit	3000
Capacity	8GB~64GB
Max. Channels	2
Sequential R/W (MB/sec, max.)	290 / 80
Max. Power Consumption	1.6W (5V x 310 mA)
Thermal Sensor	ST- Optional/ WT- Default
External DRAM Buffer	-
H/W Write Protect	-
Pin7 Power	-
ATA Security	√
S.M.A.R.T.	√
Dimension (WxLxH)	69.85 X 50.0 X 9.0 mm
Environment	Vibration: 20G @7~2000Hz Shock: 1500G @ 0.5ms Storage Temperature: -55°C ~ +95°C MTBF: 3 million hours

Headquarters (Taiwan)

5F., No.237, Sec. 1, Datong Rd., Xizhi Dist., New Taipei City 221, Taiwan (R.O.C.)
Tel: +886-2-77033000

Branch Offices:

USA
usasales@innodisk.com
+1-510-770-9421

Europe
eusales@innodisk.com
+31-040-282-1818

Japan
jpsales@innodisk.com
+81-45-6594-7581

China
sales_cn@innodisk.com
+86-755-21673689

www.innodisk.com

© 2014 Innodisk Corporation.
All right reserved. Specifications are subject to change without prior notice.

20140520

Ordering Information

Operation Temp.	8GB	16GB	32GB	64GB
Standard Grade (0°C ~ +70°C)	DEMLM-08GD07TC1SC	DEMLM-16GD06TC1DC	DEMLM-32GD07TC1DC	DEMLM-64GD07TC1DC
Industrial Grade (-40°C ~ +85°C)	DEMLM-08GD07TW1SC	DEMLM-16GD06TW1DC	DGSLM-32GD07TW1DC	DEMLM-64GD07TW1DC

innodisk

www.innodisk.com