
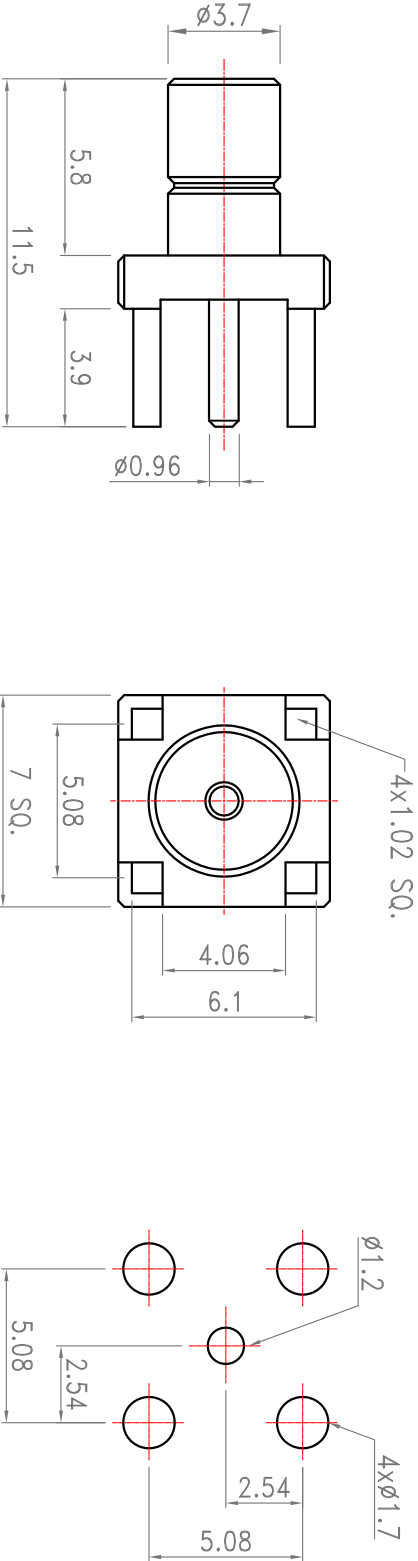


Revisions

Note: Revisions B: B-1; B-2..... On behalf of official Drawing.
 Revisions 1; 2; 3; 4..... On behalf of experiment's Drawing.

ISS	Symbol	Description	Date
B		CHIE for New Drawing Frame & New PN System	2006/07/10

Outline Drawing



Recommended PCB Layout

Note: "Change new drawing frame since 2009/07/01 "

ROHS COMPLIANCE

ITEM	Description	Material	Finish	Part Number	QTY
3	Pin	Brass	30u"Gold		
2	Insulator	PTFE	None		
1	Body	Brass	Gold		

Scale	Abbr.	Date	Rev.
NTS	ST	2009.07.07	B

Tolerances :
 .X ±0.2
 .XX ±0.1
 .XXXX±0.05



All Dimensions in mm
 (Unless Otherwise Specified)

Drawn	Checked	Approved
<i>Mark</i>	<i>Ryuan</i>	<i>Y. Yun</i>

Proprietary Note
 This document contains information proprietary to S-Conn, which is either copyrighted, or patent applied for, and / or protected by trade secret laws.
 This document or parts thereof, may not be used, disclosed or reproduced in any form by any method, or for any purpose, without the written permission of S-Conn, Taiwan.

Customer P/N: _____

DWG. NO.	TITLE.
SB205L0G27	SMB Straight Jack, PCB Type

