

REV.	ECN NO.	DATE
01	NEW	2014.03.08

A

A

B

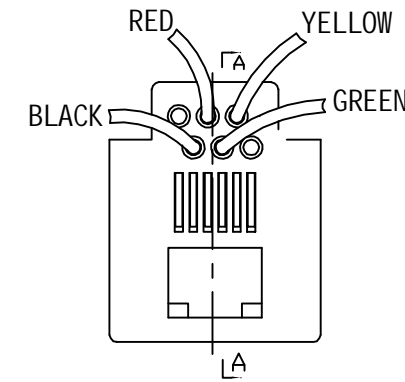
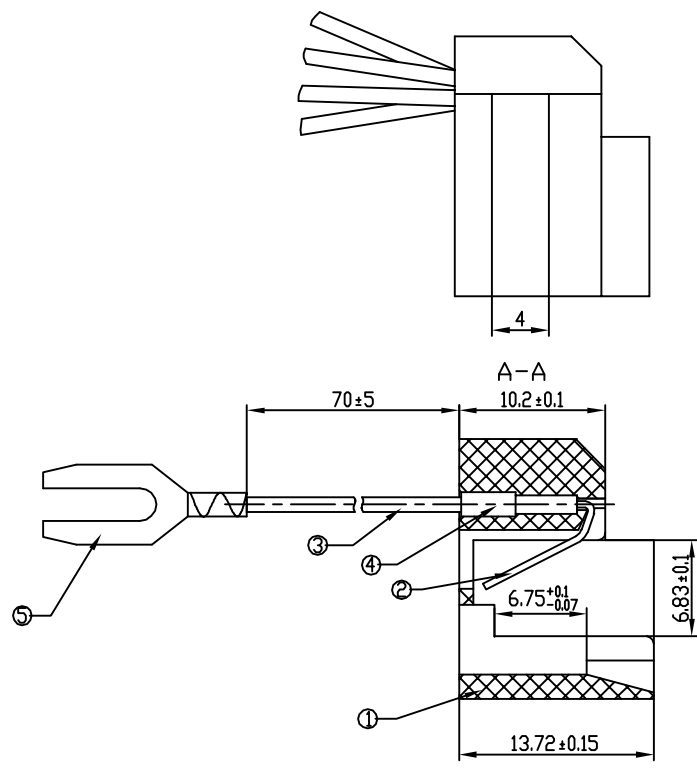
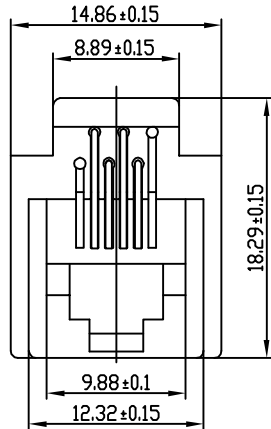
B

C

C

D

D



NOTES:

- 1. INSULATION RESISTANCE: 1000 MΩ Min.
- 2. WITHSTAND VOLTAGE: 1000 V AC RMS OR 1500V DC @ 0.5mA 50 Hz / 60 Hz 1 Minute
- 3. DURABILITY: 750 CYCLES Min.

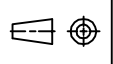
5		Y TERMINAL	H65Y
4	QWY-1161-10	TERMINAL	H65Y
3		WIRE	UL1061 AWG26
2		CONTACT	QSn6.5-0.1
1	QWY-1049-11	623K HOUSING	ABS UL94V-0 WHITE
NO.	DWG NO.	NAME	DESCRIPTION

RoHS Compliant

WENZHOU YIHUA CONNECTOR. CO, LTD

TOLERANCES
00-15 ± 0.15
15-30 ± 0.20
30- ± 0.25
ANGLES ±1°

Material:	SEE TABLE	Designed:	lin feng	NAME:	623K WIRED JACK 6P4C 3u"4L=70	
Finish:	3u"	Checked:		DWG NO:	YZ3L0737	REV.
SHEET 1 OF 1		Approved:		PART NO:	10256264B009	01



A4
SIZE

SCALE
1:1

UNIT
mm

CUSTOMER:
MODEL NO: