

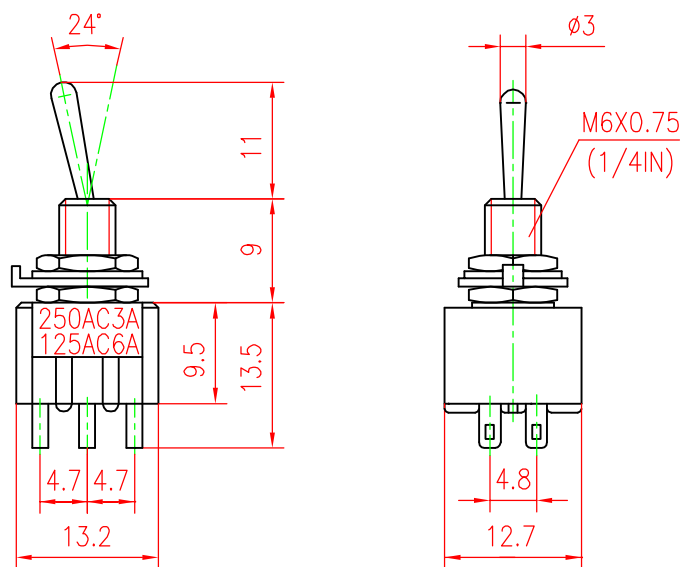
Miniature Toggle Switch

(TYPE): MTS-202-A1

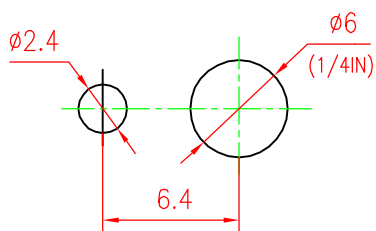
Specification

- 1.(Rating): 6A 125V AC; 3A 250V AC
- 2.(Contact R): 20 OHM ρ max
- 3.(Insulation R): 500V DC 1000 OHM ρ min
- 4.(Dielectric Strength): 1 Minute 1500V AC
- 5.(Operating Temperature): -55°C+85°C
- 6.(Electrical Life): 20.000 Cycles

Outline Drawing



Mounting



Circuitry

