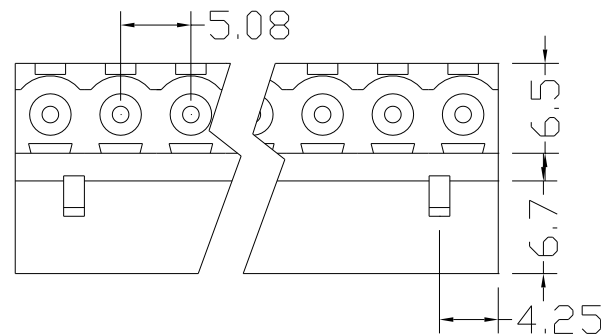
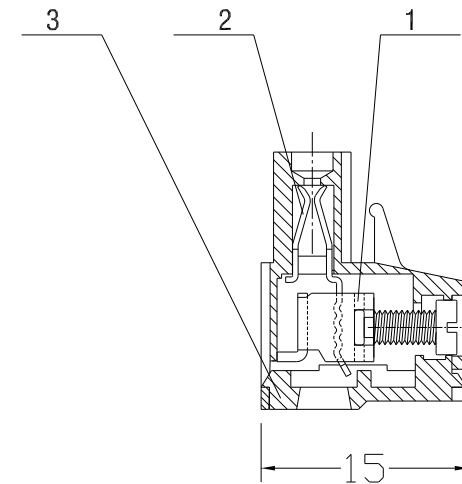
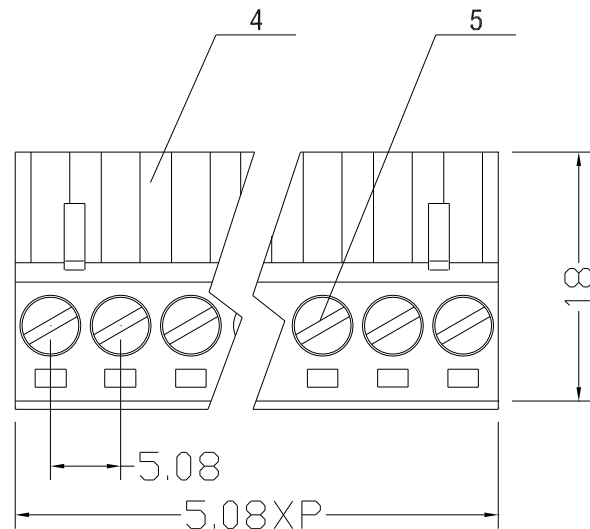


序号/RevNo.	名称/Title	文件编号/File No.
1	XY103铁方块	
2	XY2500F端子	
3	XY2500F-B塑件后塞	
4	XY2500F-B塑件	
5	XY103螺丝	



250V 12A 2.5mm²

Poles: 2P/3P/4P/5P/6P/7P
 8P/9P/10P/11P/12P/
 13P/14P/15P/16P/17P
 18P/19P/20P/21P/22P
 23P/24P

Pitch: 5.08mm&10.16mm

Materials

Housing: Polyamide 6.6,Green
 Clamp: Phosphor Bronze,0.4t,Tin Plated.
 Wire Cage: Sett1,0.7t,Zinc Plated
 Screw: M2.5,Steel,Zinc Plated.

设计/Designed by	绘图/Drawing by	审核/Checked by	批准/Approved by	未注公差 General Tolerance	
		图名/Title	文件编号/File No.	x. ±0.2	x.° ±2°
		XY2500F-B 产品图	页序/Sheet	.x ±0.1	.x° ±1°
备注/Remark				.xx ±0.05	.xx° ±0.5°
				.xxx ±0.01	
				单位/Units: mm	

序号/RevNo.	更改记录/Revision note	签名/Signature	日期/Date