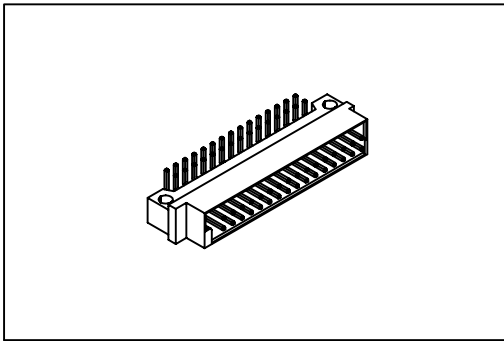


9001 Series

DIN41612 Half B Type Male



Material:

Housing: 30% Glass filled PBT UL94V-0.

Contacts: Brass.

Electrical Characteristics:

Current Rating: 2 AMP.

Dielectric Withstanding Voltage: AC 1000V For 1 minute.

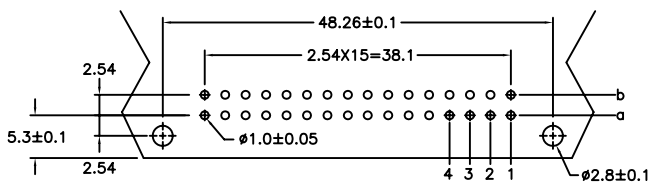
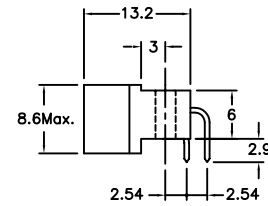
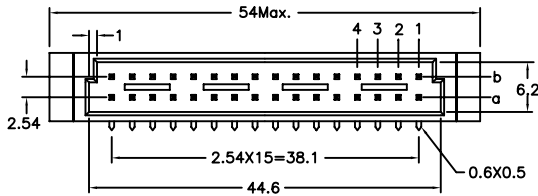
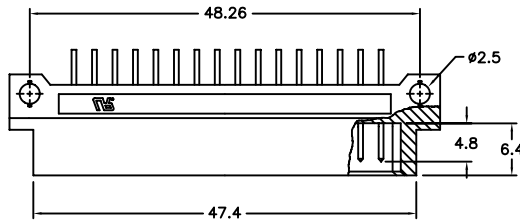
Insulator Resistance: 1000M Ω min. at DC 500V.

Contact Resistance: 30m Ω max. at DC 100mA.

Operating Temperature: -55°C ~ +105°C.

Features:

- * UL, cUL listing.
- * Mates with Female 2Row Half 9001-3632, 3616 Half B Type. 9001-3832, 3816 Half Q Type.



P.C. Board Layout

Pitch	Position	Rows with Contacts	Contact Arrange
2.54mm	32	a b	
	16	a -	
5.08mm	16	a b	
	8	a -	

Ordering information

9001- <u>3</u>	<u>5</u>	<u>32</u>	<u>1</u>	<u>C</u>	<u>00</u>	<u>L1</u>	<u>A</u>	
Series	3: 2.54mm 4: 5.08mm	5: Male	Position	1: Dip Length	C: Dip Tin Contact Gold G: Gold	00: G/F 10: 10 μ " 15: 15 μ " 30: 30 μ "	Blank: W/O Lock L1: With Lock See Page CA04	A: Tray Package

*Standard Gold Flash.