

寶 號
CUSTOMER

MARITEX

HF
ROHS
COMPLIANT

承 認 書

SPECIFICATION FOR APPROVAL

品名 CD268-332KU
PRODUCT NAME

客戶料號
CUSTOMER PART NO.

批號
SAMPLE
NO.

日期 2014/8/5
DATE.

Customer Approved Status 客戶承認範圍

FULLY APPROVED (全部承認)	PARTILLY APPROVED (部份承認)	REVISE APPROVED (修訂承認)
Drawn by	Checked by	Approved by
陳雯欣	吳明珠	吳炳勳



KING CORE ELECTRONICS INC.

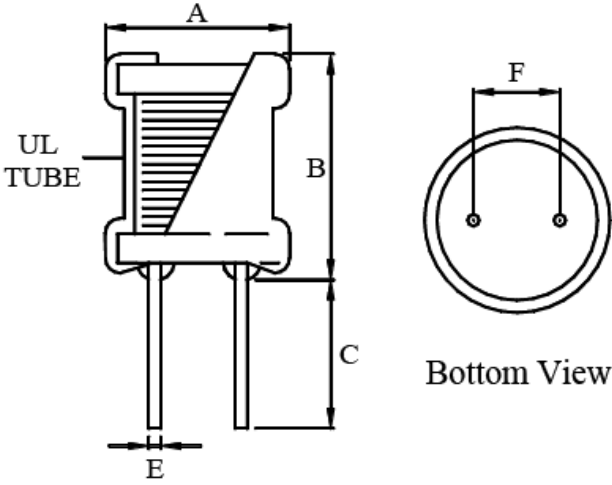
NO 269, Nanfong Rd., Pingjhen City, Taoyuan County Taiwan

Tel: 886-3-4698855 Fax: 886-4691395

Website: [http:// www.kingcore.com.tw](http://www.kingcore.com.tw)

E-mail: kc@mail.kingcore.com.tw

SPECIFICATION FOR APPROVAL

CUSTOMER:	MARITEX	CUST.P/N:		
ORDERING CODE:	CD268-332KU	K.C.P/N:		
(1) SHAPE :		A 8.5max mm		
		B 12.0max mm		
		C 15.0±2.0 mm		
		E 0.65±0.05 mm		
		F 3.0±0.5 mm		
(2) ELECTRICAL REQUIREMENT:	<p>1.INDUCTANCE:3.3mH±10%(1KHz/0.25V)</p> <p>2.DCR: 13.0Ω(max)</p> <p>Isat:0.16A(max)</p> <p>Inductance drop= 10% typ at Isat</p>	(3) TEST CONDITIONS:		
			1.INDUCTANCE :HP4284A	
			2.RDC:HIOKI3540	
3.IDC :HP4285A+HP42841A				
(4) PACKING	<input checked="" type="checkbox"/> IN BULK <input type="checkbox"/> VACUUM <input type="checkbox"/> TAPING/REEL PCS/BAG* BAGS/INNER BO: BOXES/CARTON = PCS PCS/PLATE* PLATES/CARTON= PCS PCS/REEL* TRAYS/CARTON= PCS	(5) MATERIAL LIST		
			ITEM	MATERIAL
		CORE	DR2W 6x8	
		WIRE	2 UEW	
TUBE	UL			
L/W	0.65 Φ			
EPOXY RESIN	ST-500			
(6)REMARK:	Approved by 吴炳焜			
	Checked by 吴明珠			
	Drawn by 陈雯欣 2014/8/5			
	DWG.NO. 20148001A			