

\*Change new drawing frame in Blue Color since 2009/07/01 , to comply with Company CIS Policy.

## Revisions

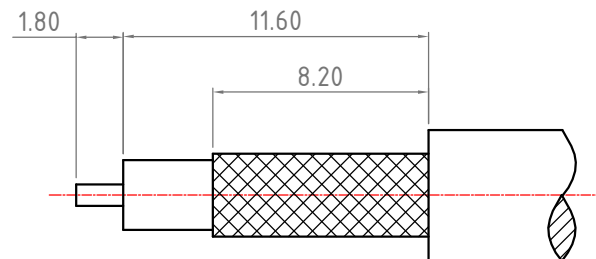
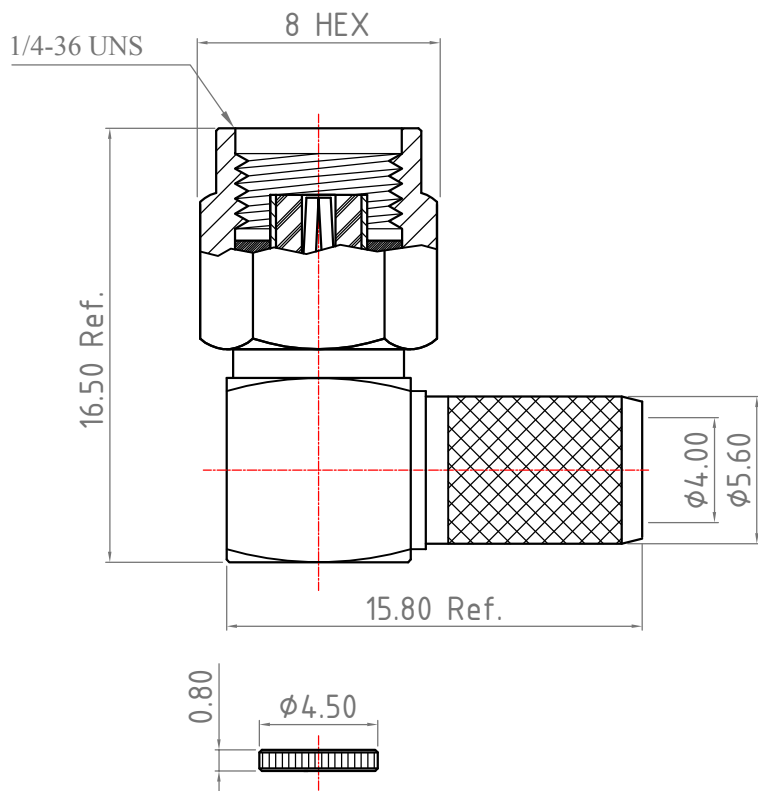
Note: Revisions B; B-1; B-2..... On Behalf of Official Drawing.  
Revisions 1; 2; 3; 4..... On Behalf of Experiment's Drawing.

ISS	Symbol	Description	Date
B	⚠	CHE for New Drawing Frame & New PN System	2006/07/10

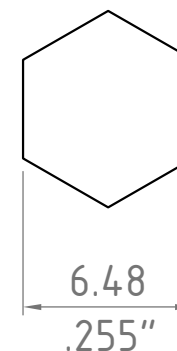
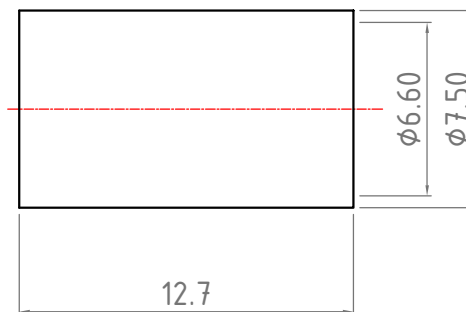
Outline Drawing

### Notes :

- Any Electrical, Mechanical or Environmental Test Per MIL-C-39012 Should be Spotlighted, as We May Not Have All Testing Equipment to Cover All of It.
- All Metal Materials Are in Compliance with RoHS 2 Directive 2011/65/EU Annex III Section 6 Paragraph.
- Recommended Crimped Hand Tool : for Ferrule P/N - **HT-801G**



Recommended Cable Stripping Dimensions



Recommended Crimping Dimensions for Ferrule

### Electrical :

- Impedance : 50 ohm
- Frequency Range : 0~12.4 GHz .
- Voltage Rating : 500 V rms (depending on cable)
- Insulator Resistance :  $\geq 5 \text{ G}\Omega$
- Dielectric Withstanding Voltage : 1000 V rms .
- Contact Resistance : Center Contact  $\leq 3 \text{ m}\Omega$ .  
Outer Contact  $\leq 2.5 \text{ m}\Omega$  .
- VSWR :  $\leq 1.2 + .03f \text{ (GHz)}$

### Mechanical :

- Mating : 1/4-36 UNS Screw-on Coupling.
- Recommended Mating Torque : 7.1~9.7 lbs
- Coupling Nut Retention Force :  $\geq 60.7 \text{ lbs}$

### Environmental :

- Temperature Range : -65°C to 165°C
- Corrosion(Salt Spray) : MIL-STD-202, Method 101, Cond. B
- Thermal Shock : MIL-STD-202, Method 107, Cond. B
- Mechanical : MIL-STD-202, Method 213, Cond. I
- Vibration : MIL-STD-202, Method 204, Cond. D

### Finish : [Unit of Plating Thickness Is in Micro Inch(μ)]

- Nickel Plating Thickness : 80 μ"
- Gold Plating Thickness : 2 μ" MAX.

ITEM	Description	Material	Finish	Part Number	QTY
6	Cap	Brass	Finish 1		
5	Ferrule	Brass	Finish 1		
4	Pin	P. Bronze	Finish 1/2		
3	Insulator	PTFE	None		
2	Body	Brass	Finish 1		
1	Shell	Brass	Finish 1		

Scale	Abbr.	Date	Rev.
NTS	ST	2014/06/12	B
Tolerances :		Proprietary Note	
.X ±0.2		This document contains information proprietary to S-Conn, which is either copyrighted, or patent applied for, and / or protected by trade secret laws.	
.XX ±0.1		This document or parts thereof, may not be used, disclosed or reproduced in any form by any method, or for any purpose, without the written permission of S-Conn, Taiwan	
.XXX±0.05			
Angular :			
.X ±1°			
Drawn	Checked	Approved	
Kevin	Mark	H. Sun	
2014/06/12	2014/06/12	2014/06/12	



DWG.NO.	RS104F0N03-BB	
Customer P/N:		
TITLE	RP SMA R/A Crimp Plug for 8X,LMR240,B7808A,H155 Cable	
<b>S-Conn Enterprise Co., Ltd.</b>		