

序号/Rev.No.	名称/Title	文件编号/File No.
1	103中盖	
2	103反折盖	
3	103后盖	
4	103F塑件主体	
5	103F端子	
6	铁壳	

Specifications:

Contact Resistance: 30mΩ max. at DC 100 mA

Insulator Resistance: 1000MΩ min. at DC 500V

Current Rating: 5AMP

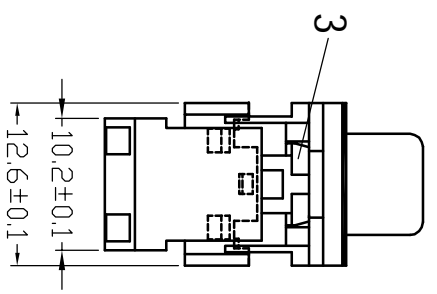
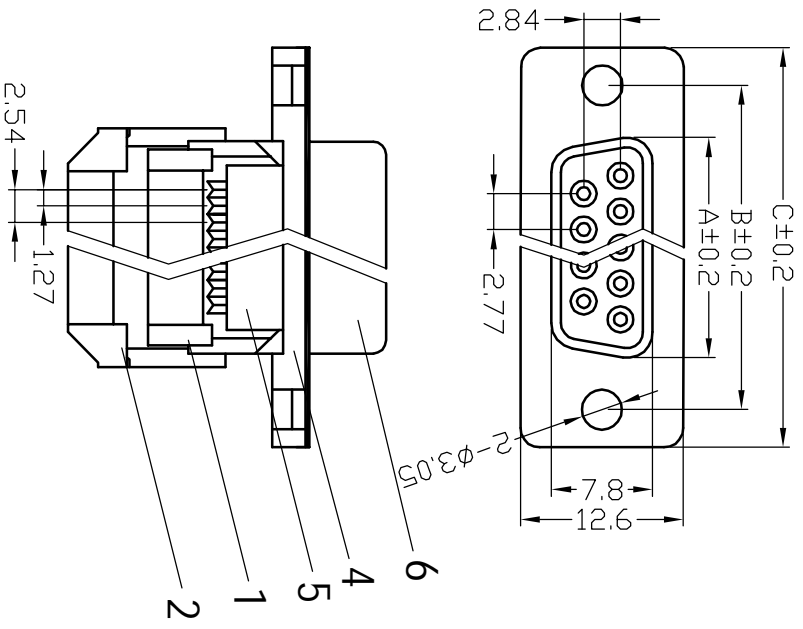
Dielectric Withstanding

Voltage: AC 500V For 1 minute

Operating Temperature: -55°C---+105°C

Contact: Brass

Housing: PBT &30% Glass Fiber(UL 94V-0)



Position	A	B	C
9	16.20	24.99	30.81
15	24.66	33.32	39.20
25	38.65	47.04	53.10
37	54.84	63.50	69.50

设计/Designed by: 绘图/Draw ing by: 审核/Checked by: 批准/Approved by:

图名/Title: 文件编号/File No. 未注公差 General Tolerance

X: ±0.2 X' ±2  
 .X ±0.1 .X' ±1  
 .XX ±0.05 .XX' ±0.5  
 .XXX ±0.01

103F-A 产品图 页序/Sheet: 单位/Unit: mm

序号/Rev.No. 更改记录/Revision note 签名/Signature 日期/Date