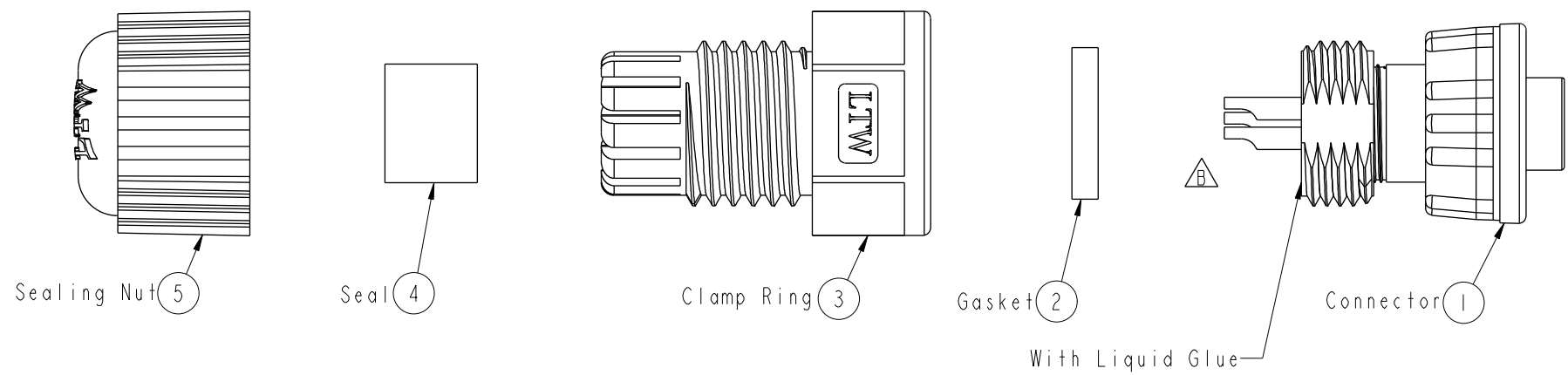


THIS DOCUMENT IS SUBJECT TO CHANGE WITHOUT NOTICE. IT IS CONFIDENTIAL AND A PROPERTY OF AMPHENOL LTW. DISCLOSURE TO THIRD PARTY HAS TO BE AUTHORIZED BY AMPHENOL LTW.

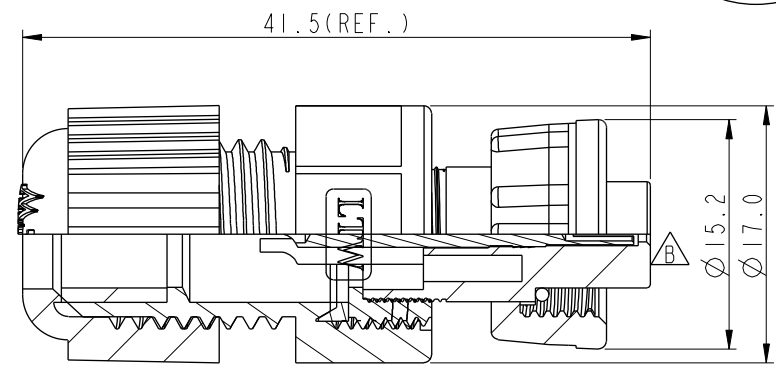
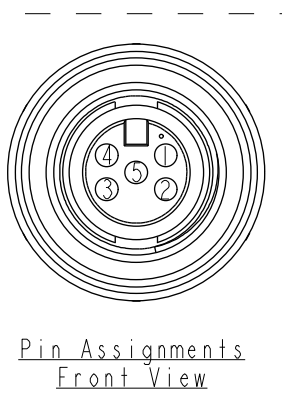
REV.	ECN NO.	DATE	SIGN	DESCRIPTION
B	LEN-0C0299	2010/11/25	Ivan Lin	Change View & Frame



ALTW
 CONFIDENTIAL
 2012-04-20
 R&D DEPT.

ALTW
 DCC. DEPT.
 CONFIDENTIAL
 2012-06-08
ISSUED

- Note:
- * QC Important Dimension To Check.
 - * Waterproof Rate: IP67
 - * Housing: Nylon+GF, Black
 - * Female Pin: Copper Alloy, Gold Plated
 - * O-Ring: EPDM, Black
 - * Screw Nut: Nylon+GF, Black
 - * Change Nut: Nylon+GF, Black
 - * $\triangle B$ Gasket: EPDM, Black
 - * Clamping Ring: Nylon, Black
 - * Seals: EPDM, Black
 - * Sealing Nut: Nylon, Black
 - * Seal For Cable OD: $\varnothing 4.5\text{mm} \sim \varnothing 6.5\text{mm}$
 - $\textcircled{6}$ * One Set Unassembled In One PE Bag



UNIT: mm		TITLE			ITEM NO.	DRAWN BY	DATE
		Mini Assy Screw 5Pin F Conn F Pin			AU-05BFFA-SL7001	SamChang	2012-04-20
TOLERANCE		SCALE	SIZE	SHEET	DWG NO.	CHECKED BY	DATE
.X ± 0.25		2:1	A4	1 OF 1	AU-05BFFA-SL7001	Jeffrey	2012-06-08
.XX ± 0.1		REV.	WC-REV.	QC : Inspection item	CUSTOMER	APPROVED BY	DATE
.XXX ± 0.05		B	A.1		ALTW	Lion	2012-06-08
ANGLES $\pm 1^\circ$							

Amphenol LTW
 安費諾亮泰企業股份有限公司