

# Dip Switches

## Dip Switches

### Product Overview

- Using excellent heat and chemical resistance engineering plastic.
- Using standard gold-plated contact points ensure reliability and longer life of the switch.
- Have the advantage of self-cleaning when the switch in ON-OFF state.
- Using widely in manual program products, like data processing, communications, remote controls and burglar alarmsystem.

### Soldering Information

- Soldering iron under 30W and under 350°C for 3 seconds max or 270°C for 5 seconds max.
- Wave crest soldering: 240°C within 20seconds max, .Keep all actuators in "off" position during soldering and cleaning process.

### Specifications

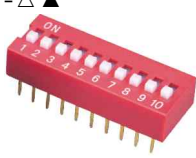
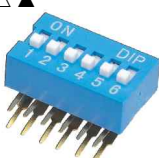
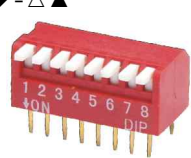
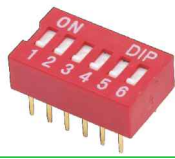
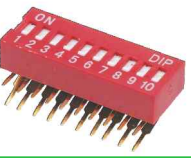
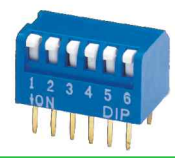
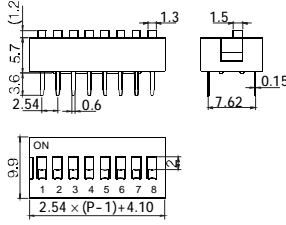
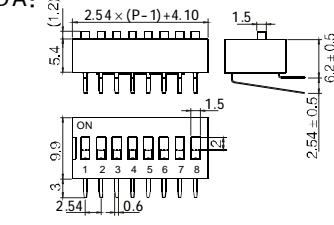
- Contact capacity
  - OFF: 25mA,24VDC
  - ON: 100mA,50VDC
- Contact resistance
  - Initial: 50mΩ 24VDC /100mA
  - After life test: 100mΩ typical, 24VDC /100mA
  - Insulation resistance: ≥ 100MΩ ,500VDC
  - Dielectr ic strength: 500VDC RMS min.
  - Operating force: DS/DA:1000g Max
  - DP: 400g Max
- Operation Life expectancy
  - Mechanical: 3000 operations
  - Electrical: 2000 operations
  - Temperature range operating/storage: -25°C~70°C

### Implication of Type

DS DA DP	★	-	◇	◆	-	△	▲
Code of series: DS slide type DA right-angle type DP piano type	Key type: R hiding type No letter means extended type.	Number of switch pairs: 01:1 position 07:7 osition 02:2 position 08:8 osition 03:3 position 09:9 osition 04:4 position 10:10 osition 05:5 position 12:12 osition 06:6 position	Terminal length: L:long(5mm) S:short(3mm) No letter means standard(3.6mm)	Shell color: R Red(default) B blue N black	Sealing type: T: top tape sealed (just for recessed type actuator type)		

Note: DP series only has positions of 2,4,6,8 ;the length of DA terminal only has one standard rating(3mm).

### Product Cutline

	Slide Type	Right-angle Type	Piano Type
Extended Type	DS-◇◆-△▲ 	DA-◇S-△▲ 	DP-◇◆-△▲ 
Hiding Type	DSR-◇◆-△▲ 	DAR-◇S-△▲ 	DPR-◇◆-△▲ 
Shape % Dimensions	DS: 	DA: 	DP: 