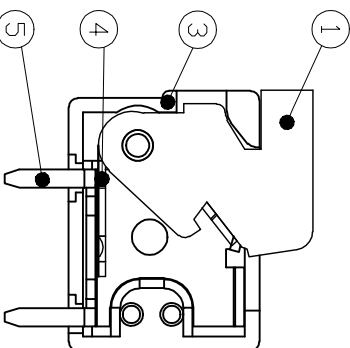
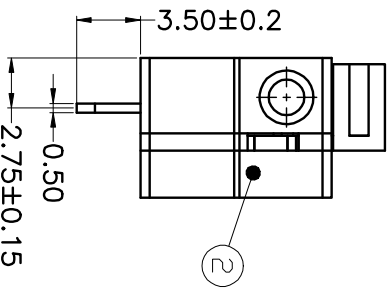
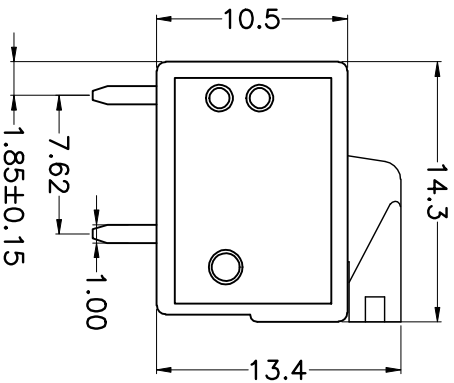
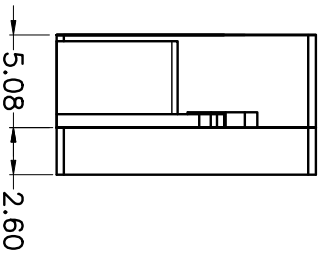


REV.	DESCRIPTION	DATE	DRAWN	APPROVED
A1	DWG.REL	2016/10/7	ZHANG	JIN

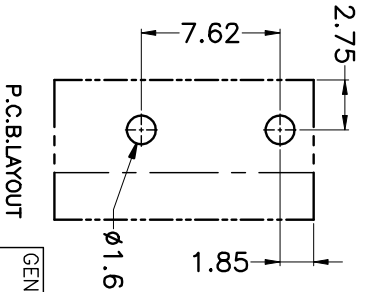
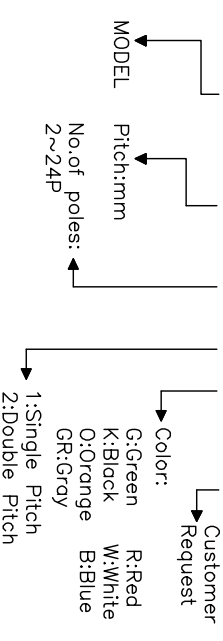


- Material
 - ØButton : PA66, UL94V-0
 - ØCover : PA66, UL94V-0
 - ØHousing : PA66, UL94V-0
 - ØReed : Stainless steel
 - ØPin header : Brass, Tin plated

- Electrical UL IEC
 - Rated voltage : 300V 250V
 - Rated current : 10A 15A
 - Insulation resistance: 500MΩ/DC500V
 - Withstanding Voltage : AC2000V/1min
 - Wire range: 22-14AWG 1.5mm²
- Mechanical
 - Operating temperature: -40°C ~ +105°C
 - Soldering temperature: 250°C ±5/5sec
 - Strip length: 10mm

HOW TO ORDER

KF142R-5.08-XXP-1 X-XXXXX



GENERAL TOLERANCE	ANGLE TOLERANCE
X: ±0.5	X: ±5'
.X: ±0.3	X: ±3'
.XX: ±0.1	.XX: ±1'

PROJECTION	TITLE
UNITS mm	KF142R-5.08-1P
SHEET SIZE A4	SERIES KF142

DRAWING TYPE	CUSTOMER	SHEET	1 OF 1
SCALE 1:1			
DRAWING NO. XP0012016-xxxx			

KATFENG ELECTRONIC **凯峰电子有限公司** CIXI KAIFENG ELECTRONIC CO.,LTD