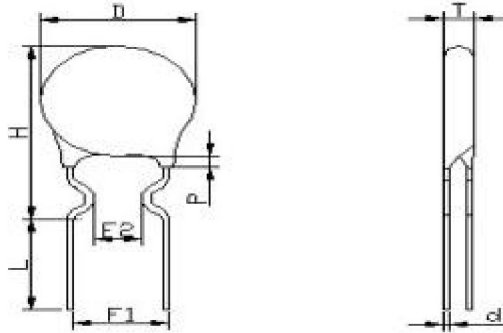


1.产品型号说明/Marking of part number

MF72	2.5	D	11
Surge current restraint NTC thermistor	R ₂₅ resistance : 2.5-2.5Ω	Diameter	Disc diameter : 11-φ11mm

2.结构与外形/Structure and Dimensions



2-1 size: mm

	D	F1	F2	L	H	P	d	T
Max	13.5	7.5±1.0	5.5		18	4.0	0.8±0.05	6.0
Min				17				

2-2 coating: phenolic resin

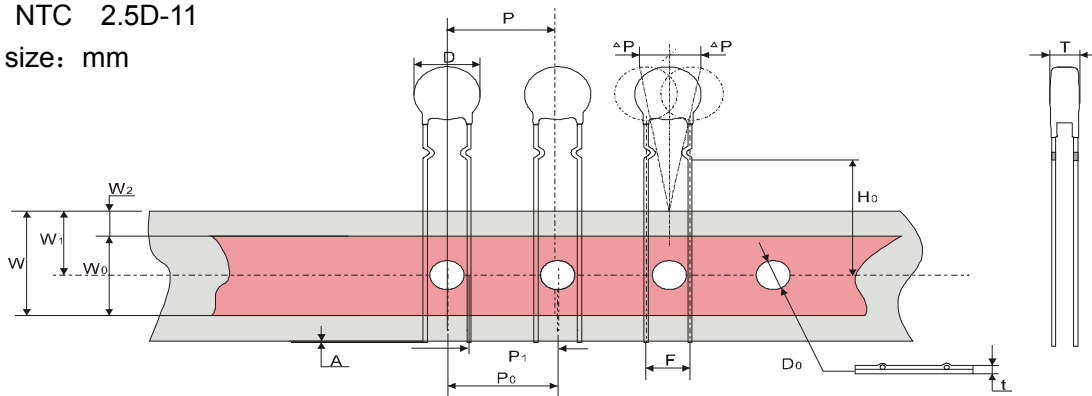
2-3 coating color: black

2-4 lead wire: introvert

2-5 lead wire material: tinned copper wire

2-6 Mark: NTC 2.5D-11

2-7 taping size: mm



P	P0	P1	W	W0	W1	W2	HO	A	t	ΔP	D0	F
12.7±1	12.7±0.3	8.95±0.7	18±1	12±1	9±1	max 3	17±1	0.5	0.6±0.3	2.0max	4±0.2	7.5±1.0

3. 电气性能/Electrical characteristics

	item	Symbol	technical requirement	Unit	Requires
3.1	Resistance at 25°C	R ₂₅	T _a =25±0.5°C Test power≤0.1mw in air	Ω	2.5Ω ±20%
3.2	B value	B _{25/50}	$B = [(T_a \times T_b) / (T_b - T_a)] \times \ln(R_a / R_b)$	K	2800±10%
3.3	Thermal time	τ	/	Sec	≈44
3.4	Dissipation factor	δ	/	mW/°C	≈13
3.5	Max steady current	I _{max}	/	A	4
3.6	Max shock capacity	C _T	240V _{AC}	μF	150
3.7	Voltage-standoff	/	500V _{AC} 1min	/	No breakdown or trace
3.8	Insulation resistance	/	500V _{DC} 1min	MΩ	≥500
3.9	Working temperature	T _L -T _U	/	°C	-40 - 170

4. 可靠性/Reliability

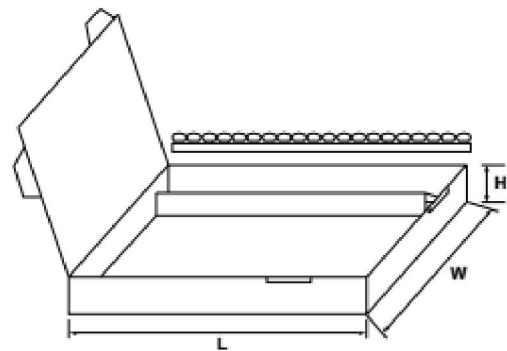
	Item	Reference standard	Test method	Technical requirement
4.1	Lead Intension	IEC60068-2-21	Test U _a : (intension 10N, for 10S±1Sec) Lead dimension (mm) pull(Kg) 0.5<d≤0.8 1.0 0.8<d≤1.25 2.0	No visual damage
4.2	Solderability	IEC60068-2-20	245±3°C, 3±0.3sec	Fine solder, cover area ≥95%
4.3	Solder Heat Withstanding	IEC60068-2-20	260±3°C, 10±1sec	No visual damage ΔR ₂₅ /R ₂₅ ≤20%
4.4	High temperature storage	IEC60068-2-2	T _U ±5°C, 1000±24hrs	No visual damage ΔR ₂₅ /R ₂₅ ≤20%
4.5	Durability at room temperature (cycle)	IEC60068-2-78	40±2°C, 90-95%RH, 1000±24hrs	No visual damage ΔR ₂₅ /R ₂₅ ≤20%

4.6	Temperature change	IEC60068-2-14	For 5 times			No visual damage $\Delta R_{25}/R_{25}$ $\leq 20\%$
			procedure	temperature(°C)	Time (min)	
			1	$T_L \pm 5$	30±3	
			2	Room temperature	5±3	
			3	$T_U \pm 5$	30±3	
4	Room temperature	5±3				
4.7	Max current	IEC60068-14.26.1	25±5°C , I _{max} , 1000±24 hrs			No visual damage $\Delta R_{25}/R_{25}$ $\leq 20\%$
4.8	Cycle test	Spec standard	25±5°C , I _{max} .C _T , 1min ON/5min OFFx1000 C _T =240V _{AC} load capacitance			No visual damage $\Delta R_{25}/R_{25}$ $\leq 20\%$

5. 包装/ Standard Packaging (仅供参考)

■ box package : 750 PCS / box

L	W	H
340	190	65



(单位: mm)

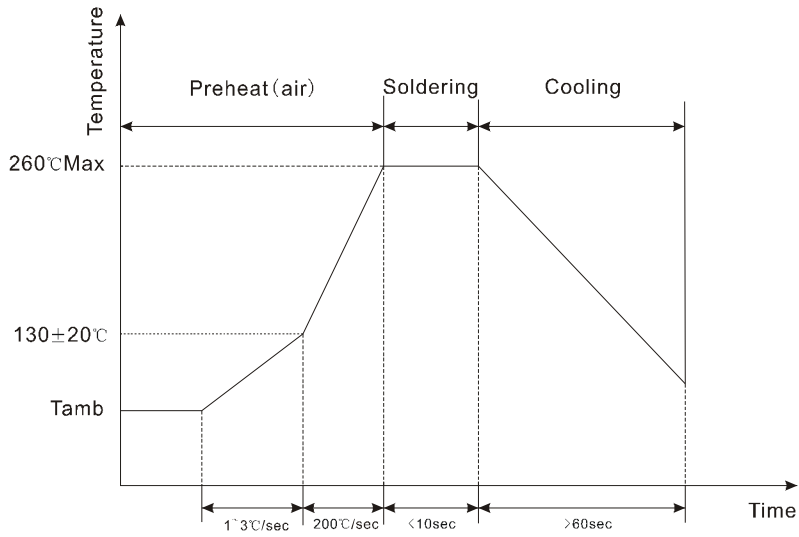
6. 产品贮存条件/ Storage Condition of Products

Storage temperature	-10~40°C
Relative humidity	≤75%HR (+40°C)
Barometric pressure	86 ~106Kpa
Vibration frequency	10 Hz ~50Hz~10 Hz
Collision	100m/s ² : 16ms
Other requirement	No acid,alkali and reducing atmosphere

7. 手工焊接参考工艺/Recommended Reworking Conditions With Soldering Iron

Welding condition	Reference requirement
Soldering iron temperature	360°C (max)
Soldering time	2sec(max)
Distance to coating material	6mm (min)

8.波峰焊参考曲线/Wave Flow Soldering Profile



9.产品认证/Product Certification



E243011