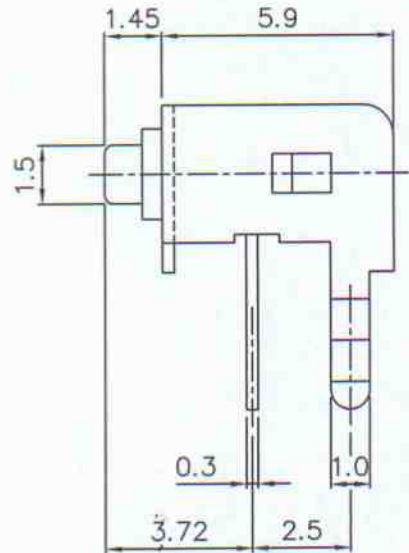
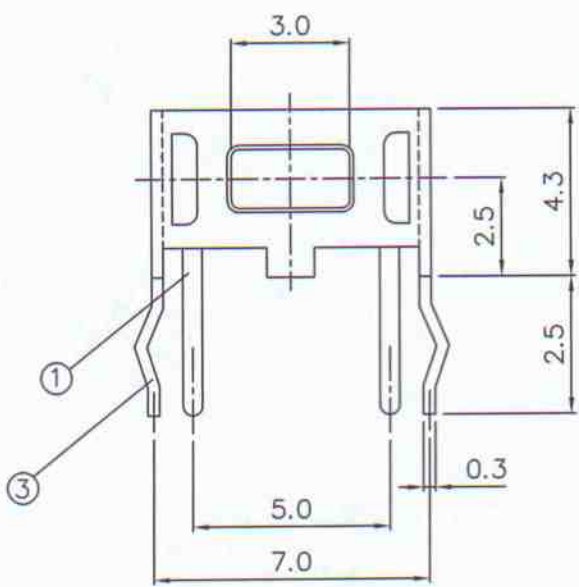
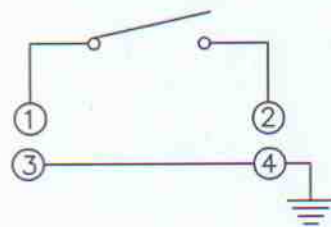
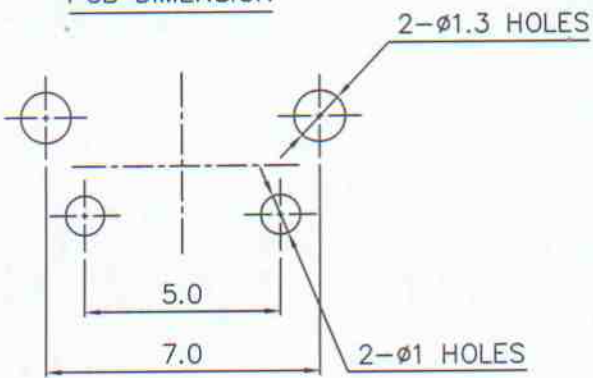


CIRCUIT DIAGRAM



PCB DIMENSION



NOTE

1. OPERATING FORCE : $180 \pm 30gf$
2. RATING : DC12V 50mA
3. TRAVEL : $0.25 \pm 0.1m/m$
4. GENERAL TOLERANCE : ± 0.3
5. MANUFACTURING SPECIFICATION WOULD BE ACCORDANCE WITH HT0202

PART NO	PART NAME	Q'TY	MATERIAL	STANDARD	DISPOSITION	REMARKS
5		TRIGON- OMETRY APPD	UNIT	SCALE 5 / 1		
4			CHKD			
3						
2						
1						
NO	CORRECTION				MODEL	INT-1101V