

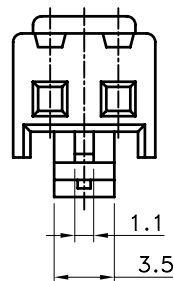
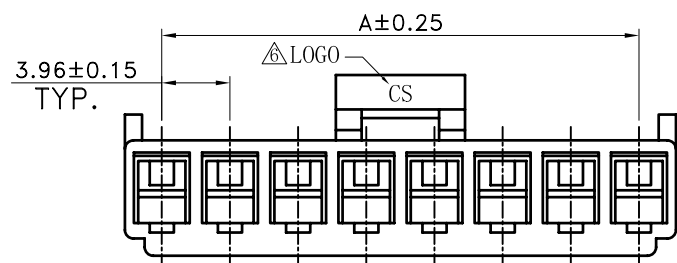
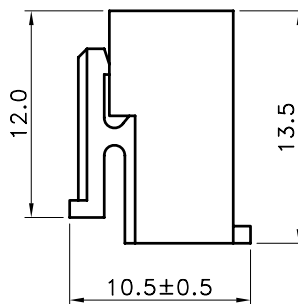
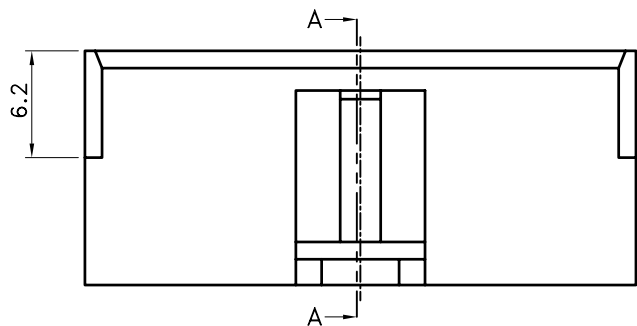
SECTION:A-A

SPECIFICATIONS

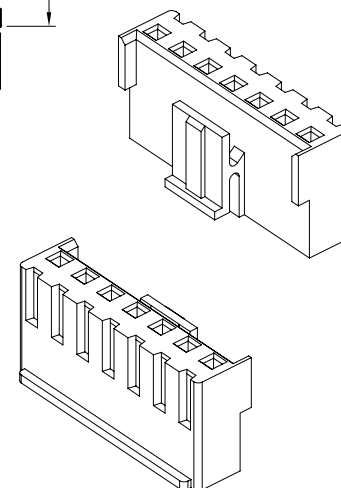
- Voltage Rating : 250V AC/DC
- Current Rating : 7A AC/DC
- Withstanding Voltage : 1500V AC/minute
- Insulation Resistance : 1000MΩ min
- Temperature Range : - 25°C to + 85°C
- Contact Resistance : 20mΩ max

HOUSING

- Part No. : JS-1121-XX (XX) XX
Ordering Code ① ② ③
- ① Poles : 2-15
- ② Material:
Blank : Nylon 66 UL94-V0
SM : SCHULAMID (Nylon 6 UL94-V2)
- △③ Color: Blank: Nature
R : Red(199C)
BU : Blue(660C)
Y : Yellow(122C)
BK: Black
- Applicable Terminal : JS-1121-TXX
- Mates With : JS-1120R-XX;JS-1120



2Pin VIEW



3D VIEW

Poles	Dimensions (mm)	
	A	B
2	3.96	8.25
3	7.92	12.21
4	11.88	16.17
5	15.84	20.13
6	19.80	24.09
7	23.76	28.05
8	27.72	32.01
9	31.68	35.97
10	35.64	39.93
11	39.60	43.89
12	43.56	47.85
13	47.52	51.81
14	51.48	55.77
15	55.44	59.73



喬訊電子工業股份有限公司
CHYAO SHIUNN
ELECTRONIC INDUSTRIAL LTD.

APPROVED BY	SCALE	UNIT	TOLERANCE	LTR	REVISION RECORD	NAME	DATE	LTR	REVISION RECORD
張育瑞	1:1	mm	.0 ±0.30	△	200504-007		2005/04/21	△	
CHECKED BY	PROJ	VER NO.	.00 ±0.20	△	200508-003		2005/08/26	△	
黃科源	⊕	a7	.000 ±0.10	△	200711-004		2007/11/15	△	
DRAWN BY	DATE	SIZE	ANGLE	△	201006-008		2010/06/28		CUSTOMER
周美麗	2012/07/17	A4	0° ±2°	△	201016-001		2010/10/27		
			.0° ±	△	Chrang the LOGO position	JACK	2012/07/10		Conforms to The RoHS Instruction
			SHEET 1/1	△	Add New Type product	JACK	2012/07/17		

PART NO JS-1121-XX(XX)XX
3.96mm Crimp Style Connectors Housing