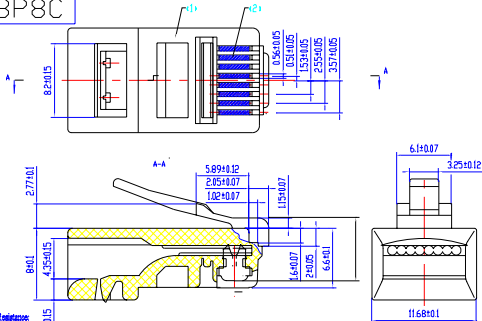


YH-012

8P8C



Specifications

1. Insulation Resistance:
1000 M Ω /ohms min.
2. Withstand Voltage:
1000V, A/C mixite
3. Durability:
600 mating cycles min.
4. Tolerances unless otherwise specified:
0~10 ± 0.1 ; 10~20 ± 0.15 ;
20~30 ± 0.2
5. Selective Gold plating:
(Q_6 ; I_5 ; 30 ; ± 0) micro inch

No.	Part Name	QTY	Material	Remark
(4)				
(3)				
(2)	Blade	2	Phosphor Bronze	Gold-plating over Nickel
(1)	Housing	1	Polycarbonate	UL94V0 or 94V2

CZT

WENZHOU YIHUA
COMMUNICATED
CONNECTOR CO.,LTD