



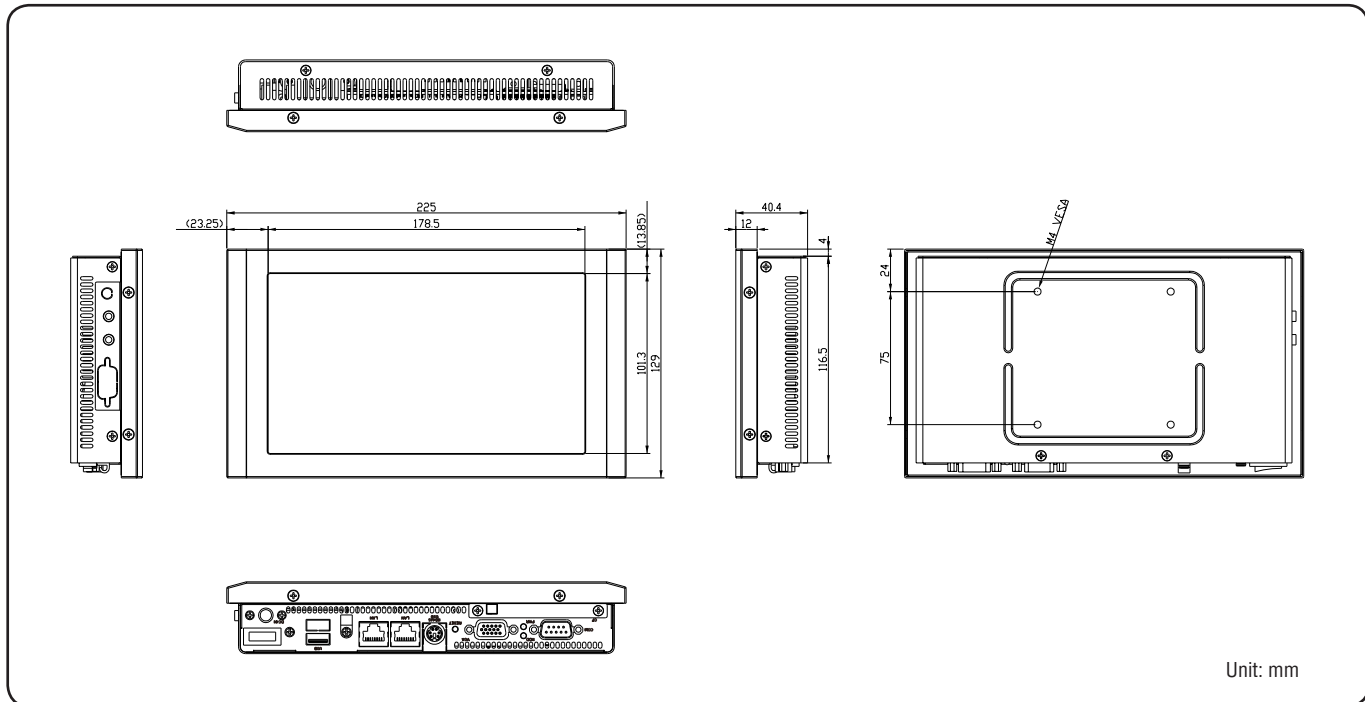
Features

- 8" WSVGA TFT Touch Panel PC
- 5-wire Resistive Touch Screen
- FPC-08W24: Intel® Atom™ N270 1.6GHz CPU
FPC-08W21: AMD Geode LX800 @ 0.9W 500MHz
- VGA, Audio, Ethernet, Optional WiFi Module
- 1 CF, 2 COM, 4 USB/ 2 USB (FPC-08W21)
- +12V Single Power Input (FPC-08W24)
Wide Range Voltage Input +10V ~ 28V (FPC-08W21)
- Fanless Operation, VESA Compliance
- IP-65 Compliant Front Panel

Specifications

Model Name	FPC-08W24	FPC-08W21
• LCD Size	8"	8"
• Display Type	WSVGA TFT	WSVGA TFT
• Resolution, Color	1024 x 600, 256K	1024 x 600, 256K
• Pixel Pitch	0.1725mm (W) x 0.1656mm (H)	0.1725mm (W) x 0.1656mm (H)
• Luminance	500cd/m ²	500cd/m ²
• Contrast Ratio	700	700
• Viewing Angle	70 (U), 75 (D), 75 (L), 75 (R)	70 (U), 75 (D), 75 (L), 75 (R)
• Response Time	20ms	20ms
• Backlight	LED	LED
• Touch Screen	5-wire Resistive	5-wire Resistive
• Light Transmission	80%	80%
• Touch Interface	USB Touch Control Board EETI	USB Onboard Touch Controller Pen Mount 6000
System		
• Board	ECM-945GSE	ECM-LX800D
• CPU	Intel® Atom™ N270 1.6GHz CPU	Onboard AMD Geode LX800 @ 0.9W 500MHz with 128K L2 Cache CPU
• Cooling Method	Passive CPU Heatsink	Passive CPU Heatsink
• System Chipset	Intel® 945GSE/ ICH7-M	AMD Geode LX800/ CS5536
• I/O Chip	ITE IT8712F	Winbond W83627HG-AW
• System Memory	One 200-pin SODIMM Socket Supports Up to 2GB DDR2 400/ 533 SDRAM	Onboard 512MB DDR Memory
• SSD	One CF Socket by IDE Secondary Slave Channel Supports Type I/II Compact Flash Card	One CF Socket by IDE Secondary Slave Channel Supports Type I/II Compact Flash Card
Rear Panel I/O		
• Serial Port	1 x RS-232, 1 x RS-232 or Optional RS-422/ 485	1 x RS-232, 1 x RS-232 or Optional RS-422/ 485
• Ethernet	2 x RJ-45 (Marvell 88E8053 Gigabit Ethernet)	2 x RJ-45 (Realtek RTL8101L LAN)
• WIFI	Optional USB WiFi 802.11 b/g	Optional USB WiFi 802.11 b/g (Occupies One USB Port)
• VGA	1 x DB-15	1 x DB-15
• Audio	Line-out, Mic-in (Realtek ALC655)	Line-out, Mic-in (Realtek ALC203)
• USB	4 x USB 2.0	2 x USB 2.0
• Mouse & K/B	N/A	1 x PS/2 Keyboard Connector

Diagram



Environment & Mechanical

• Color	Front Panel Black; Rear Panel Black
• Mounting	Wall/ Stand/ VESA 75mm x 75mm
• System Power Requirement	+10V ~ +28V DC Power Input (FPC-08W21) +12V Single Power Input (FPC-08W24)
• Power Adapter	Input: 100 ~ 250Vdc/ 47 ~ 63Hz Output: 60W Adapter (12V @ 5A Adapter)
• Operating Temperature	-10°C ~ 60°C/ 0°C ~ 40°C (FPC-08W24)
• Storage Temperature	-20°C ~ 70°C/ -10°C ~ 50°C (FPC-08W24)
• Relative Humidity	10% to 95% @ 40°C, Non-condensing
• Dimensions (W x D x H)	225mm x 129mm x 40.4mm
• Weight	1.00kg

Ordering Information

- **FPC-08W24**
8" WSVGA TFT Touch Panel PC with Intel® 945GSE + ICH7-M Chipset, 5-wire Resistive Touch Panel
- **FPC-08W21**
8" WSVGA TFT Touch Panel PC with AMD Geode LX800, 5-wire Resistive Touch Panel
- **ACC-WIFI-USB-14R**
USB WIFI 802.11b/g/n for FPC-08W21 Series
- **ACC-WIFI-USB-15R**
USB WIFI 802.11b/g/n for FPC-08W24 Series
- **ACC-ARM-D15R**
VESA Stand/ Wall 75/ 100mm for 8" Panel PC, 165 x 140 x 20.5mm
- **ACC-ARM-D16R**
VESA Stand/ Wall 75/ 100mm for 8"/ 10" Panel PC, 169 x 167 x 20.5mm
- **ACC-ARM-D21R**
Black & Silver Table Stand 75/ 100mm
- **ACC-ARM-D22R**
Black Table Stand 75/ 100mm
- **ACC-FPC-WALLMT-02R**
Wall Mount Bracket Kit for FPC-08W
- **ACC-CF-XX**
CompactFlash Card Series (xx=Capacity, Capacity Option: 128, 256, 512MB, 1, 2, 4, 8GB)

- 1 LPC Series
- 2 SPC Series
- 3 FPC Series
- 4 PPC Series
- 5 APC Series
- 6 BPC Series
- 7 UPC Series
- 8 MPC Series
- 9 OPM Series
- 10 AID Series
- 11 MTP Series
- 12 OPC Series
- 13 RISC
- 14 Accessories