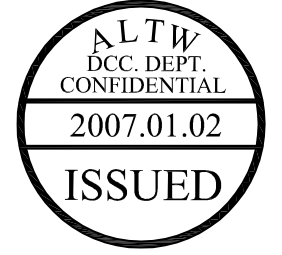
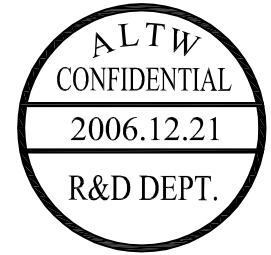
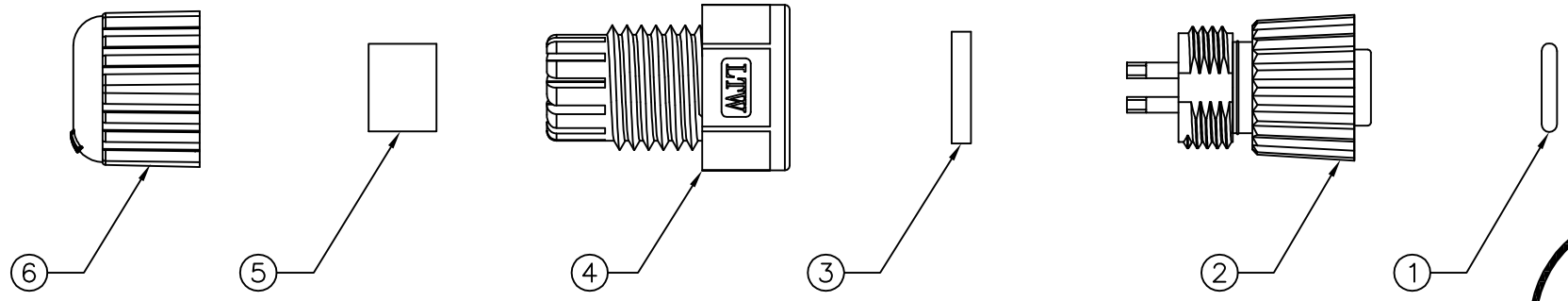
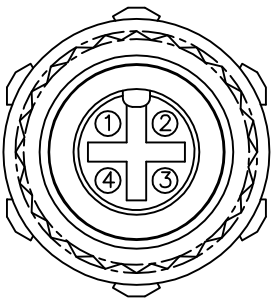


5	6	7	8
REV.	ECN NO.	DATE	SIGN

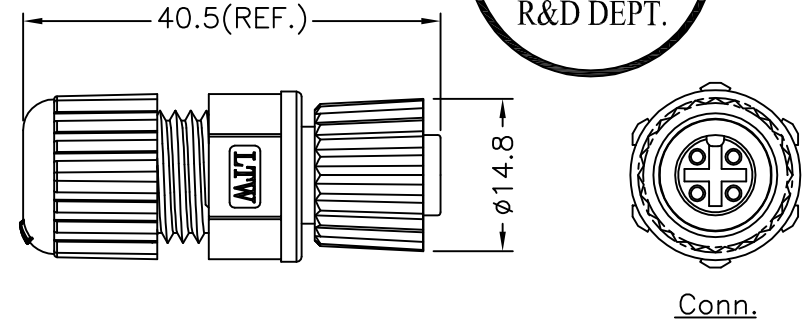
THIS DOCUMENT IS SUBJECT TO CHANGE WITHOUT NOTICE. IT IS CONFIDENTIAL AND A PROPERTY OF Amphenol LTW. DISCLOSURE TO THIRD PARTY HAS TO BE AUTHORIZED BY Amphenol LTW.



- Note:
- * @@Important Dimension To Check.
 - * Waterproof Rate: IP68
 - * Housing: Black, Nylon+GF
 - * Pin: Copper Alloy, Gold Plated
 - * Nut: Black, Nylon+GF
 - * Ring: Green, Viton
 - * Gasket: Black, EPDM
 - * Clamp Ring: Black, Nylon
 - * Sealing Nut: Black, Nylon
 - * Seal: Black, EPDM
 - * Seal For Cable OD: $\phi 4.5\text{mm} \sim \phi 6.5\text{mm}$



Pin Assignments
Front View



UNIT:mm		TITLE M12 Conn, Assy Screw 4Pin F Conn. F Pin
TOLERANCE ± 0.5 mm	SCALE Free	SHEET 1 OF 1
REV. A	SIZE A4	QC : Inspection Item

Amphenol LTW
安費諾亮泰企業股份有限公司

ITEM NO 12P-04BFFA-SL8001	DRAWN BY Patrick Ian Magat	DATE 2006/12/21
DWG NO 12P-04BFFA-SL8001	CHECKED BY Alan MJ Sundo	DATE 2006/12/22
CUSTOMER ALTW	APPROVED BY Max Hung	DATE 2006/12/22