



PRODUCT DATASHEET

Rose series

last update 12/9/2012

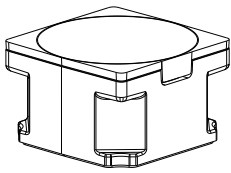
DETAILS

Product Number	FCA10328_CRSS-SS
Family	Rose
Type	Assembly
Color	grey
Diameter	21,6 + 21,6 mm
Height	13,8 mm
Style	square
Optic Material	PC
Holder Material	
Fastening	tape
Status	production ready
ROHS Compliant	Yes
Date Updated	12/09/2012

OPTICAL PROPERTIES

LED	Viewing Angle	Light Beam	Efficiency	cd/lm	Connector
XR-E	12 deg	Smooth spo...		13.650	-



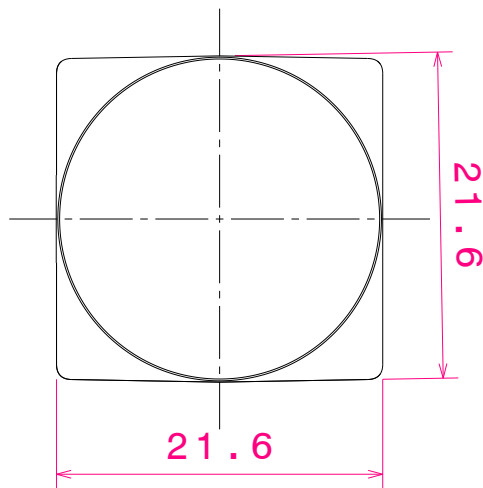
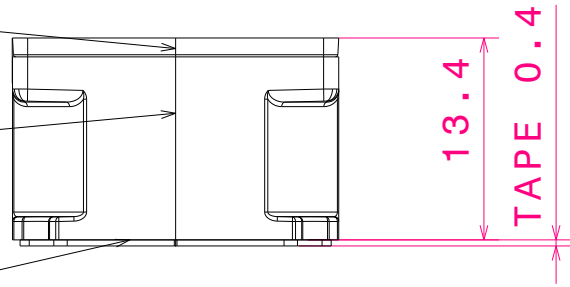


Isometric view
Scale: 1:1

Lens ROSE

Holder

Adhesive Tape



MATERIALS

LENS: PC

HOLDER: PC

Tape: PU foam with PSA adhesive

This drawing is our property.
It can't be reproduced
or communicated without
our written agreement.



L
T
F
F

e
e
i
i
N
n

d

DRAWING TITLE

Datasheet CRS assy

DRAWN BY

DATE

p

05.11.2008

CHECKED BY

DATE

H

10.10.2006

DESIGNED BY

DATE

HH

10.10.2006

SIZE

A4

DRAWING NUMBER

REV

1

SCALE

2:1

WEIGHT (g)

-

SHEET

1/1

D

A

4

4

3

3

2

2

1

1

NOTE: The typical divergence will be changed by different color, chip size and chip position tolerance. The typical total divergence is the full angle measured where the luminous intensity is half of the peak value.