

**Product number C12868_FLARE-MAXI**

Family	Flare	FWHM	96+15 degrees
Type	Lens	Efficiency	94 %
LED	XM-L	cd/lm	2.100
Color	Clear	Gerber File	Available
Diameter	33.9 + 33.3 mm		
Height	16.7 mm		
Style	Rectang		
Optic Material	PMMA		
Holder Material	-		
Fastening	["glue", "pin"]		
Status	Production ready		

Product number CA14366_FLARE-MAXI-TAPE

Family	Flare	FWHM	96+15 degrees
Type	Assembly	Efficiency	94 %
LED	XM-L	cd/lm	2.100
Color	Clear	Gerber File	Available
Diameter	33.9 + 33.3 mm		
Height	16.9 mm		
Style	Rectang		
Optic Material	PMMA		
Holder Material	-		
Fastening	["tape", "pin"]		
Status	Production ready		

Product number C13012_FLARE-MAXI-D

Family	Flare	FWHM	110+15 degrees
Type	Lens	Efficiency	94 %
LED	XM-L	cd/lm	1.700
Color	Clear	Gerber File	Available
Diameter	33.9 + 33.3 mm		
Height	16.7 mm		
Style	Rectang		
Optic Material	PMMA		
Holder Material	-		
Fastening	["pin", "glue"]		
Status	Production ready		

Product number CA14367_FLARE-MAXI-D-TAPE

Family	Flare	FWHM	110+15 degrees
Type	Assembly	Efficiency	94 %
LED	XM-L	cd/lm	1.700
Color	Clear	Gerber File	Available
Diameter	33.9 + 33.3 mm		
Height	16.9 mm		
Style	Rectang		
Optic Material	PMMA		
Holder Material	-		
Fastening	["pin", "tape"]		
Status	Production ready		



PRODUCT DATASHEET

Flare series

last update 9/5/2014

NOTE: The typical divergence will be changed by different color, chip size and chip position tolerance. The typical total divergence is the full angle measured where the luminous intensity is half of the peak value.



PRODUCT DATASHEET

Flare series

last update 9/5/2014

GENERAL INFORMATION

- Product series especially designed & optimized for XM-L series of LEDs.
- Special care taken to make light distribution as uniform as possible.
- Lens material optical grade PMMA with high UV and temperature resistance. Allows use of high current and temperature conditions.

Please find more information about used material from below:

http://ledil.fi/sites/default/files/Documents/Technical/Material/PMMA%20N%20UL94_Yellow%20Card.pdf

<http://ledil.fi/sites/default/files/Documents/Technical/Material/PMMA%20N%20PLEXIGLAS-Datasheet.pdf>

D

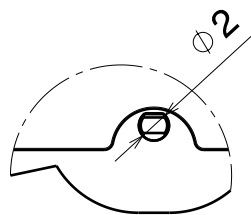
C

B

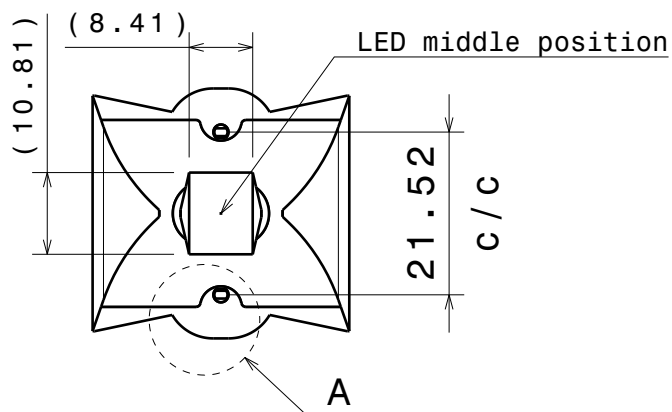
A

4

4

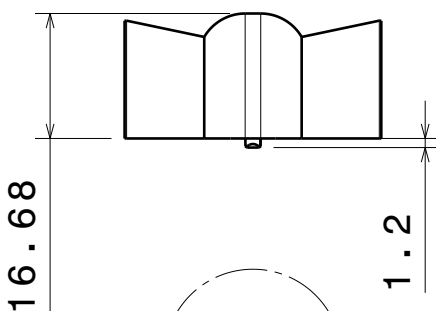
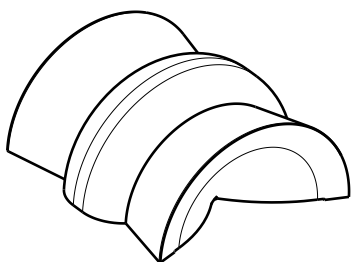


Detail A
Scale: 2:1



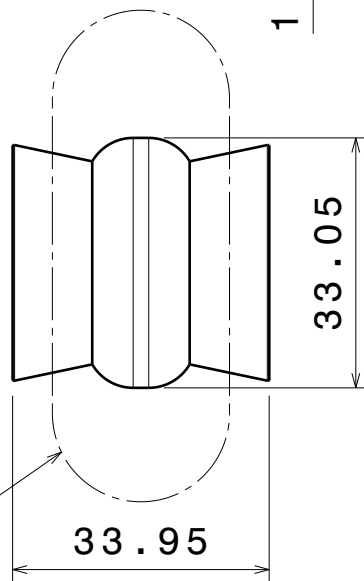
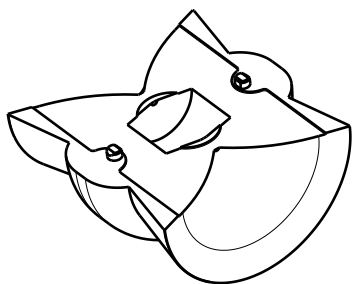
3

3



2

2



Light pattern direction

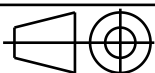
INDEX	PART NO	DESCRIPTION	MATERIAL	COLOUR
1	C12868	FLARE-MAXI	PMMA	

Tolerances if not otherwise shown
According to DIN ISO 2768-1
Linear measures:
up to 30mm class M, otherwise class C
According to DIN ISO 2768-2
Form and position: class L

LEDiL

Ledil Oy
Salorankatu 10
FIN 24240 SALO
Finland

THIRD ANGLE PROJECTION:



DRAWING TITLE

C12868_FLARE-MAXI

This drawing is the property of LEDiL Oy. It may not be reproduced, copied or communicated without a written agreement with LEDiL Oy. LEDiL Oy reserves the right to without prior notification make changes and improvements to its products.

SIZE PART NUMBER

A4

C12868

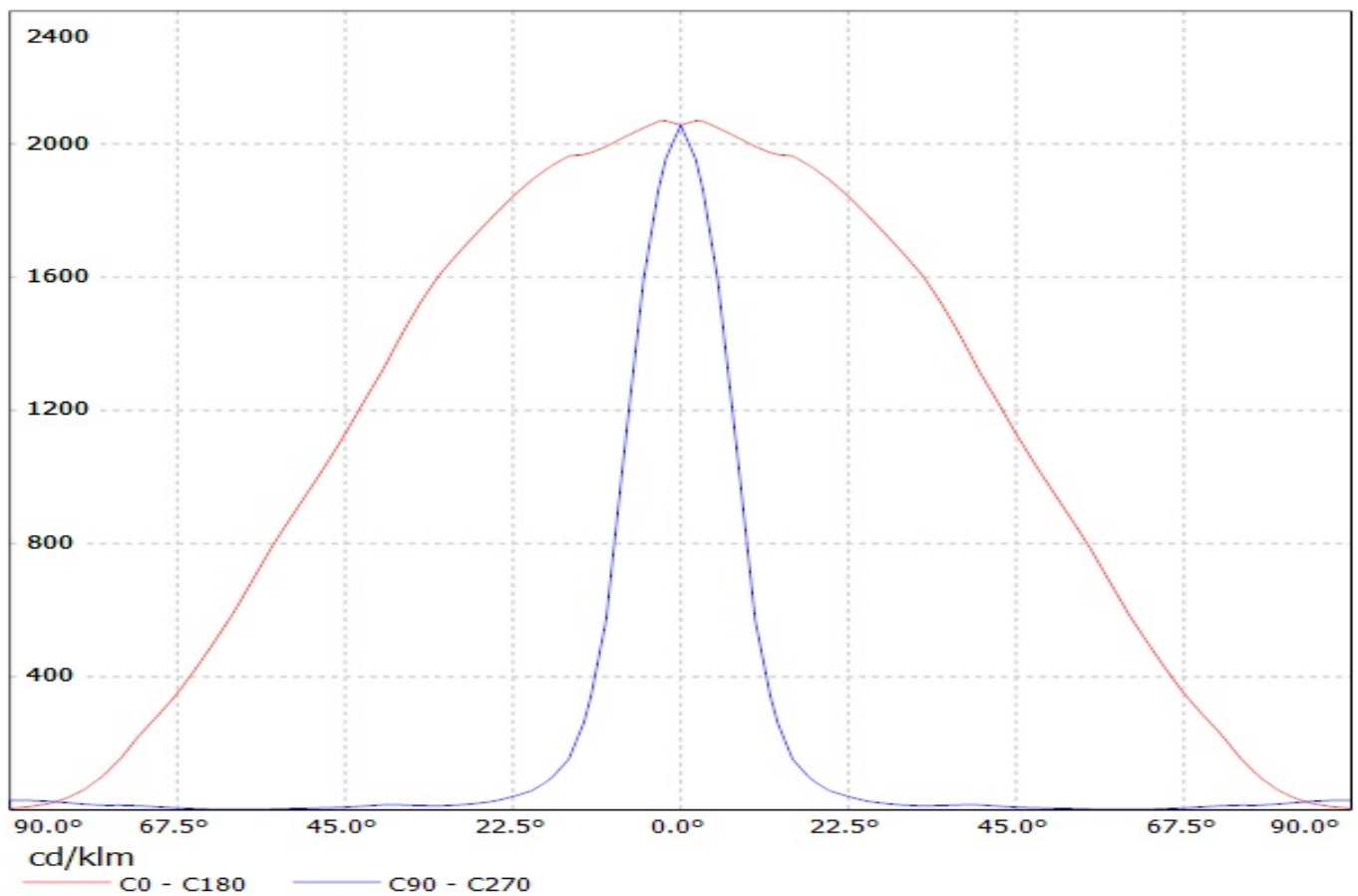
SCALE 1:1 WEIGHT 9,84 g SHEET 1/1

D

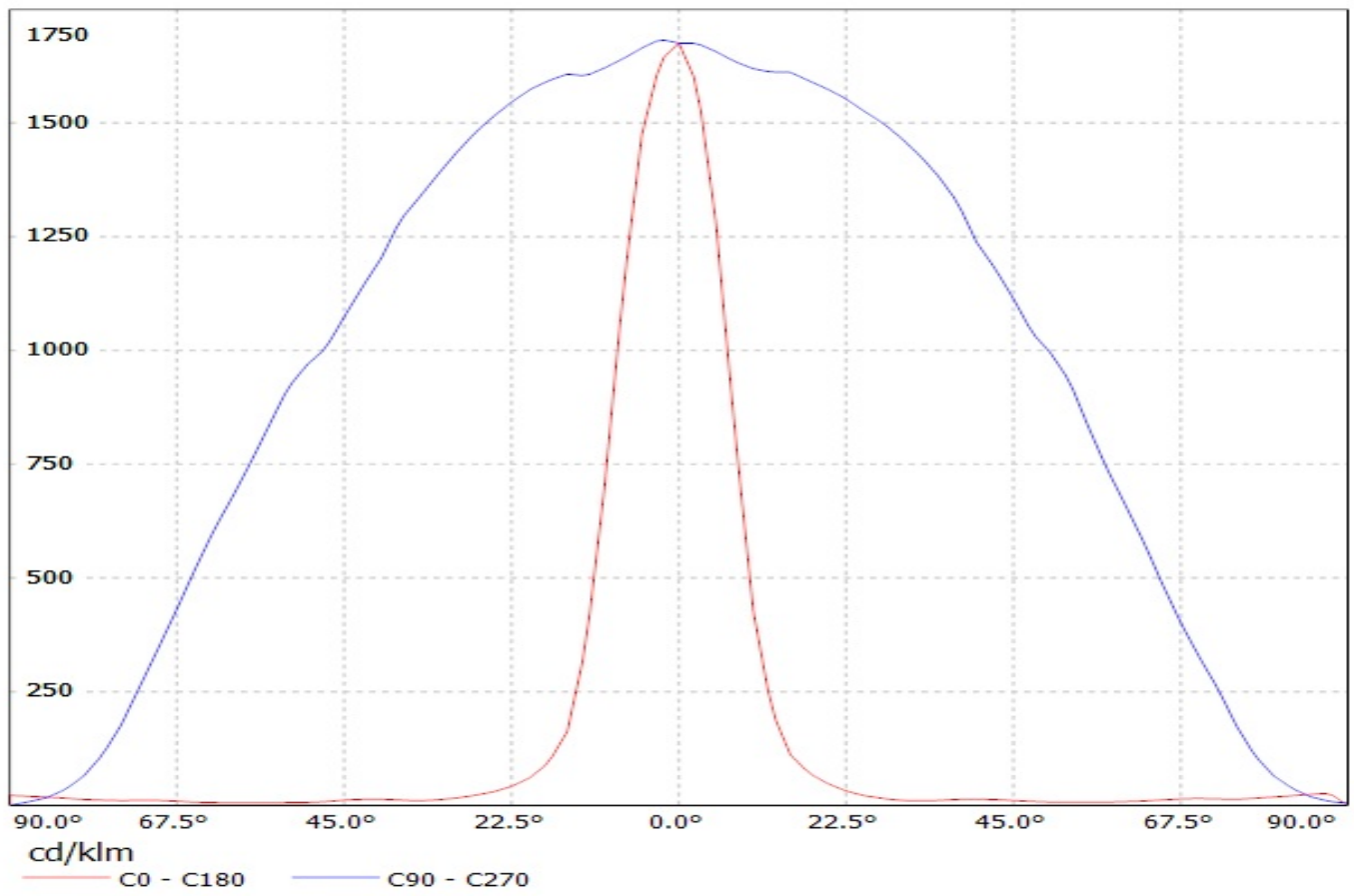
A

1

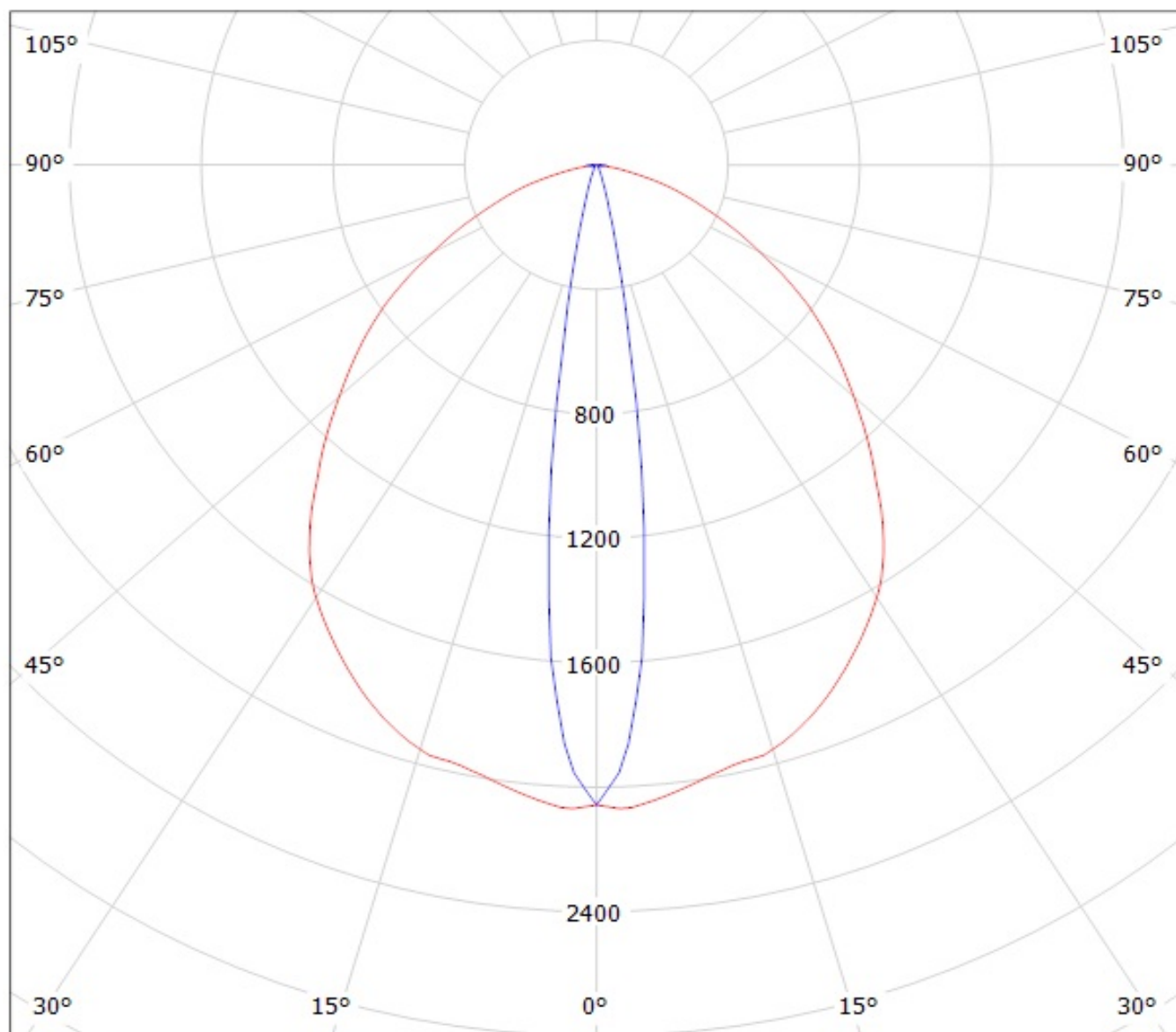
Luminaire: Ledil Oy C12868_FLARE-MAXI (Cree XM-L 89lm @ 250mA) Efficiency=94%
Lamps: 1 x Cree XM-L 89lm @ 250mA



Luminaire: Ledil Oy C13012_FLARE-MAXI-D (Cree XM-L 97lm @ 250mA) Efficiency=94%
Lamps: 1 x Cree XM-L 97lm @ 250mA



Luminaire: Ledil Oy C12868_FLARE-MAXI (Cree XM-L 89lm @ 250mA) Efficiency=94%
Lamps: 1 x Cree XM-L 89lm @ 250mA

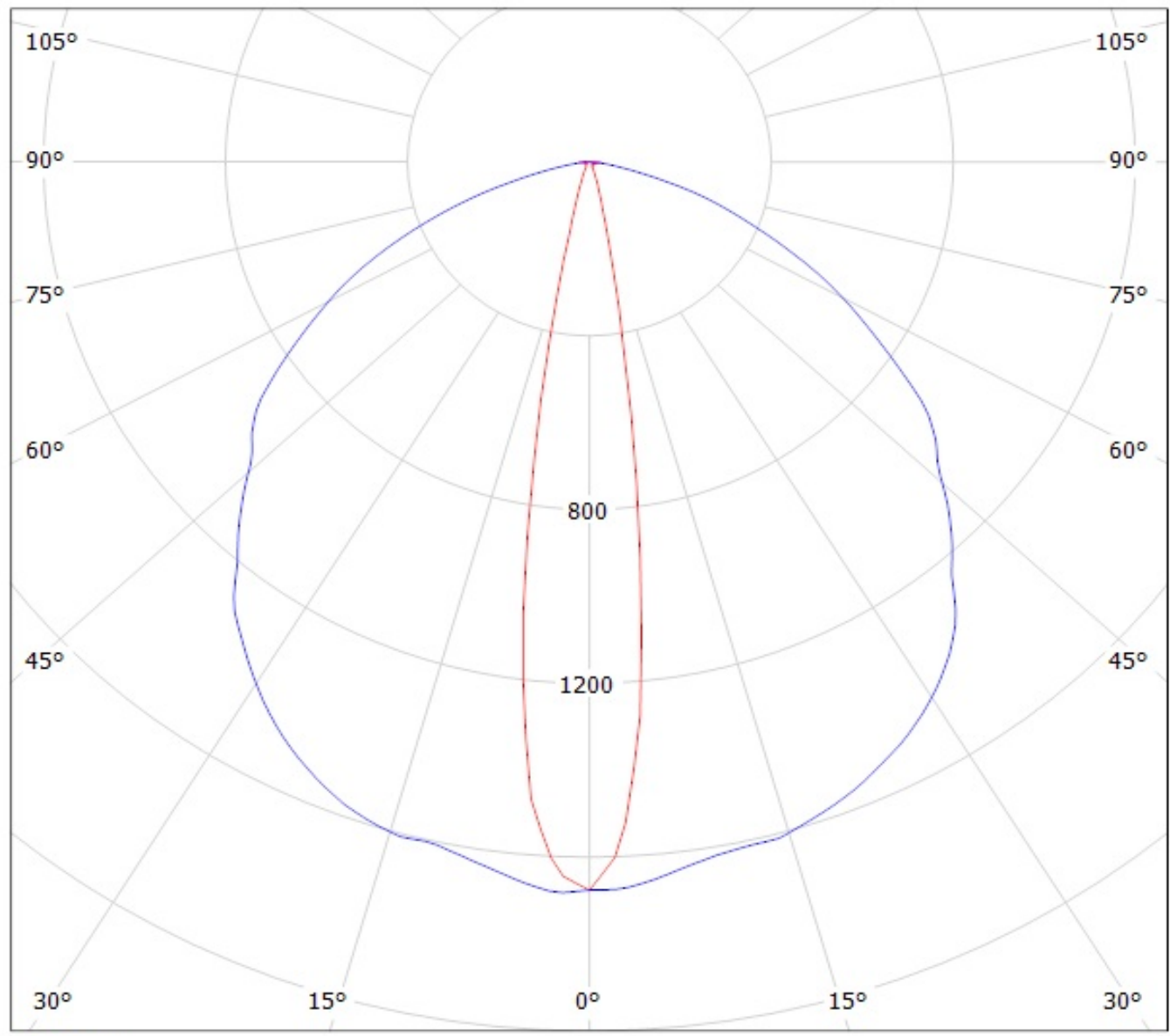


cd/klm

— C0 - C180

— C90 - C270

Luminaire: Ledil Oy C13012_FLARE-MAXI-D (Cree XM-L 97lm @ 250mA) Efficiency=94%
Lamps: 1 x Cree XM-L 97lm @ 250mA



cd/klm

— C0 - C180

— C90 - C270