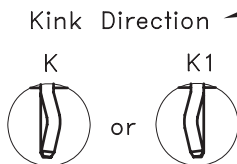
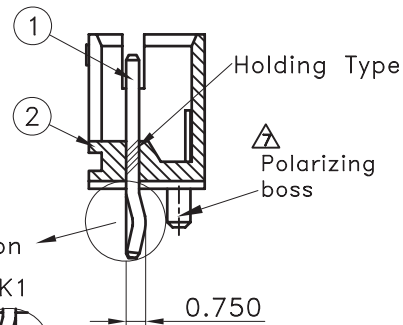
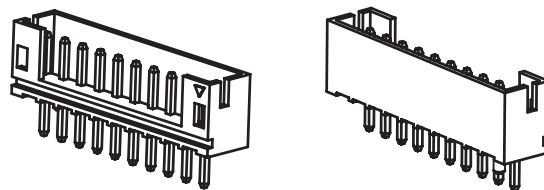
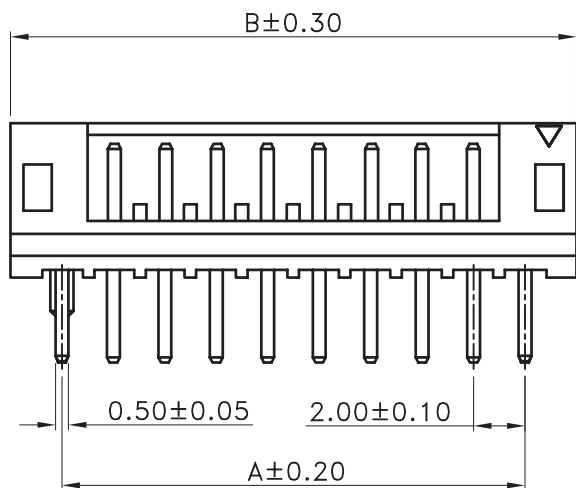
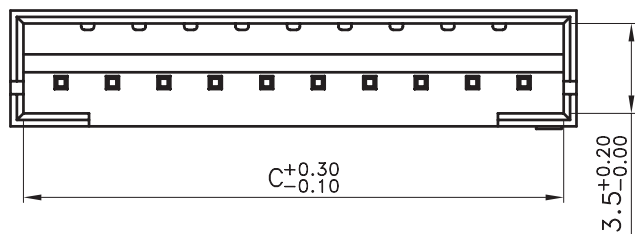
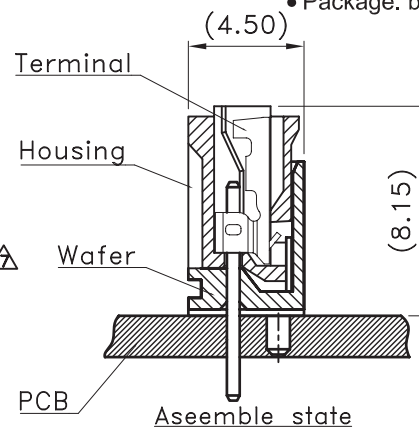
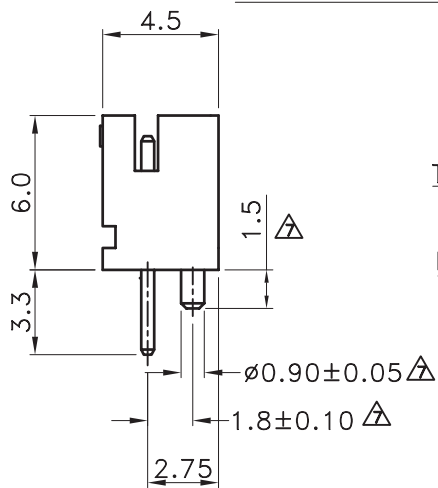


Recommended PCB Layout  
(With Polarizing boss or Normal Type(Standard))



Structure Reference



■ SPECIFICATIONS

- Voltage Rating : 100V AC/DC
- Current Rating : 2A AC/DC
- Withstanding Voltage : 800V AC/minute
- Insulation Resistance : 1,000MΩ min
- Temperature Range : - 25°C to + 85°C
- Contact Resistance : 20mΩ max

■ WAFER

Part No. : JS-1125-XX X X (XX XX XX XX XX) XX

- ① Poles No.2~16PIN ① ② ③ ④ ⑤ ⑥ ⑦ ⑧ ⑨
- ② Structure: Blank : Normal Type(Standard)  
P : With Polarizing boss
- ③ Structure1: Blank : Normal Type(Standard)  
S : Holding Type
- ④ Plastic: Blank : Nylon 66 V-0(Standard)  
6T : PA 6T  
9T : PA 9T
- ⑤ Plated: Blank : Bright-Tin Plated(Standard)  
G : Gold Plated  
NM : Matte-Tin Plated
- ⑥ Kink Type: Blank : Without Kink(Standard)  
K : With Kink  
K1 : With Kink(Reverse)
- ⑦ DIP Length: Blank : 3.3mm(Standard)  
D : 2.7mm
- ⑧ Plastic: Blank : Nature(Standard)  
GF : PA 66+15%G.F.
- ⑨ Color : Blank : Nature(Standard)  
BK : Black  
BU : Blue
- Material :  
1. Contact : Brass  
2. Base : Refer the above narrative
- Plated : Refer the above narrative
- Package: bag

| Poles | Dimension(mm) |       |       |
|-------|---------------|-------|-------|
|       | A             | B     | C     |
| 02    | 2.00          | 6.00  | 5.00  |
| 03    | 4.00          | 8.00  | 7.00  |
| 04    | 6.00          | 10.00 | 9.00  |
| 05    | 8.00          | 12.00 | 11.00 |
| 06    | 10.00         | 14.00 | 13.00 |
| 07    | 12.00         | 16.00 | 15.00 |
| 08    | 14.00         | 18.00 | 17.00 |
| 09    | 16.00         | 20.00 | 19.00 |
| 10    | 18.00         | 22.00 | 21.00 |
| 11    | 20.00         | 24.00 | 23.00 |
| 12    | 22.00         | 26.00 | 25.00 |
| 13    | 24.00         | 28.00 | 27.00 |
| 14    | 26.00         | 30.00 | 29.00 |
| 15    | 28.00         | 32.00 | 31.00 |
| 16    | 30.00         | 34.00 | 33.00 |

喬訊電子工業股份有限公司  
CHYAO SHIUNN  
ELECTRONIC INDUSTRIAL LTD.

| APPROVED BY | SCALE      | UNIT    | TOLERANCE  | LTR | REVISION RECORD     | NAME | DATE     | LTR | REVISION RECORD | NAME | DATE     |
|-------------|------------|---------|------------|-----|---------------------|------|----------|-----|-----------------|------|----------|
| 張育瑞         |            | mm      | .0 ±0.30   | △   |                     |      |          | △   | 變更高溫料可生產PIN位    | 周美麗  | 12/12/26 |
| CHECKED BY  | PROJ       | VER NO. | .00 ±0.20  | △   |                     |      |          |     |                 |      |          |
| 周家慶         |            | a8      | .000 ±0.10 | △   |                     |      |          |     |                 |      |          |
| DRAWN BY    | DATE       | SIZE    | ANGLE      |     |                     |      |          |     |                 |      |          |
| 周美麗         | 2012/12/26 | A4      | 0° ±1°     | △   |                     |      |          |     |                 |      |          |
|             |            |         | .0° ±      | △   | 物性表修正               | 王誠賢  | 11/01/18 |     |                 |      |          |
|             |            |         | SHEET 1/1  | △   | 增加Polarizing boss選項 | 劉怡萱  | 11/02/23 |     |                 |      |          |

PART NO JS-1125-XX  
2.00mm DIP Series Wire to Board Connector

CUSTOMER  
Conforms to The RoHS Instruction