

Mini-ITX Series

NEW

VIA

EPIA-M900

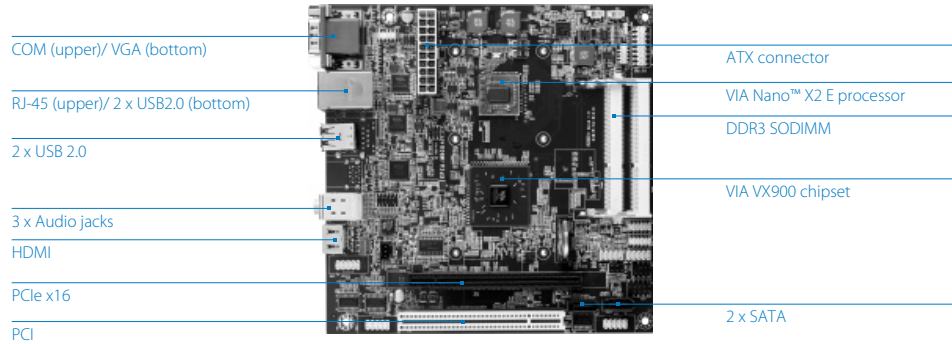
Mini-ITX Board with Nano™ X2 E CPU, Full HD Video, SATA, GigaLAN, COM, USB, VGA, HDMI, LVDS & PCIe

Features

- VIA Nano™ X2 dual-core processor
- Integrated VIA Chrome9™ HC DX9 3D/2D graphics with VC1, MPEG-2, WMV9 and H.264 decoding acceleration
- Supports high-bandwidth DDR3 memory, up to 8GB
- Supports two SATA
- Supports one Gigabit Ethernet (optional for one more Gigabit Ethernet)
- Supports eight USB 2.0 ports (four as pin headers) and two USB 3.0 ports (optional)
- Supports four COM ports (three as pin headers)
- Supports one PCI and one PCIe x16 slot
- Supports one VGA, one HDMI and one dual-channel 24-bit LVDS panel



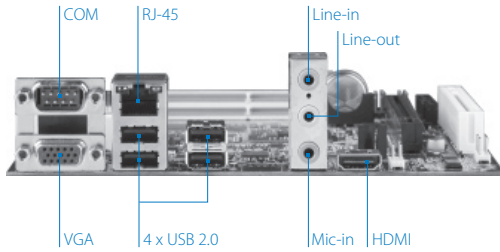
Board Placement



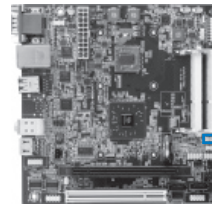
Specifications

| | |
|---|---|
| Model Name | EPIA-M900-16L |
| Processor | 1.6GHz VIA Nano™ X2 E (with fansink) |
| Chipset | VIA VX900 Unified Digital Media IGP chipset |
| System Memory | 2 x DDR3 1066 SDRAM SODIMM sockets Up to 8GB memory size |
| VGA | Integrated VIA Chrome9™ HC DX9 3D/2D graphics with VC1, MPEG-2, WMV9 and H.264 decoding acceleration |
| Onboard Serial ATA | 2 x SATA connectors |
| Onboard LAN | 1 x VIA VT6130 PCIe Gigabit Ethernet controller (optional for one more VIA VT6130 PCIe Gigabit Ethernet) |
| Onboard Audio | VIA VT2021 |
| Onboard Super IO | Fintek F81865-I |
| Onboard I/O Connectors | 2 x USB pin headers for 4 USB 2.0 ports 1 x USB client 1 x F_audio pin header for Line-out/Mic-in 1 x PS/2 keyboard/mouse pin header 2 x Digital I/O (GPI x 8 + GPO x 8) 1 x Front panel pin header 2 x Smart fan connectors for CPU/Sys 3 x Serial port pin headers for COM ports (from F81865-I) 1 x S/PDIF 1 x SMBUS 1 x PCI (on edge) 1 x PCIe x16 slot (with effective speed up to PCIe x8) 1 x 24-bit 2CH LVDS 1 x Backlight control for inverter power and brightness control 1 x LPC pin header (for programming) 1 x MFX pin header |
| Back Panel I/O | 1 x HDMI port 1 x VGA port 1 x Serial port 2 x GigaLAN ports & 4 x USB2.0 ports (default 1 GigaLAN port & 4 x USB2.0 ports) 3 x Audio phone jacks: Line-out, Line-in and Mic-in (Vertical) |
| BIOS | AMI BIOS 8Mbit SPI flash memory |
| Operating System | Windows 7, Windows Embedded Standard 7, Windows XP, Windows Embedded Standard/Compact, Linux |
| Power | ATX connector |
| System Monitoring & Management | Wake-on LAN, Keyboard Power-on, Timer Power-on System power management, AC power failure recovery Watch Dog Timer |
| Operating Temperature | 0°C up to 60°C |
| Operating Humidity | 0% ~ 95% (relative humidity; non-condensing) |
| Form Factor | Mini-ITX 17 cm x 17 cm |
| Compliance | CE/FCC/BSMI/RoHS |

Back Panel I/O



Accessories

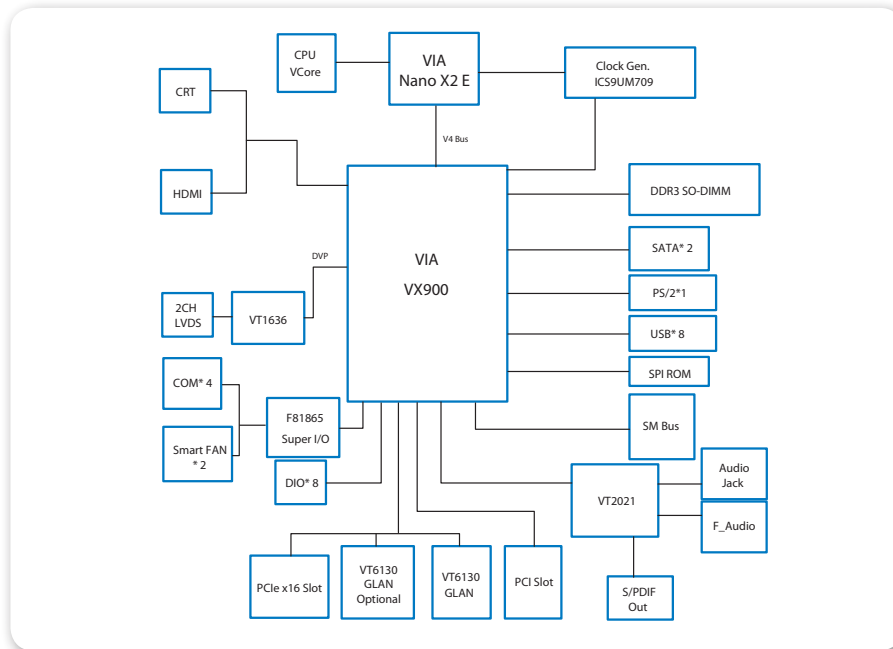


WLAN USB Module
802.11b/g/n standards

Ordering Information

| Model Name | CPU Frequency | Description |
|------------|-------------------|--|
| M900-16L | 1.6GHz Nano™ X2 E | Mini-ITX Board with Nano™ X2 E CPU, 2 SATA, 1 GLAN, 1 PCI, 8 USB 2.0, 4 COM, 1 VGA, 1 HDMI, 1 LVDS |

Block Diagram



Packing List

Items

- 1 x SATA cable
- 1 x Driver CD
- 1 x I/O bracket