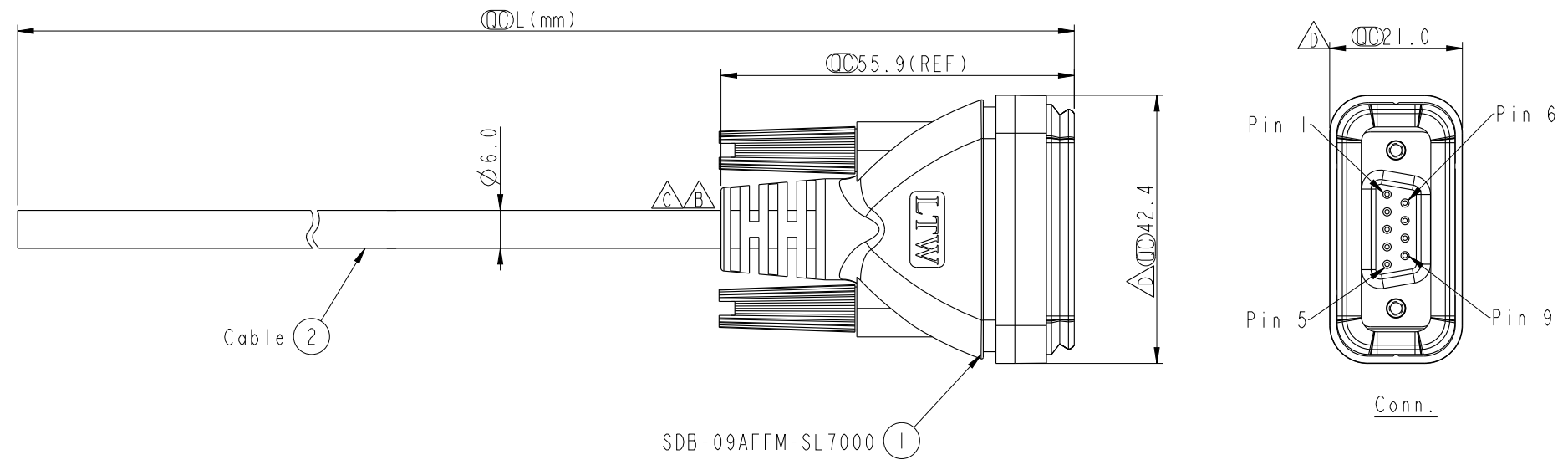
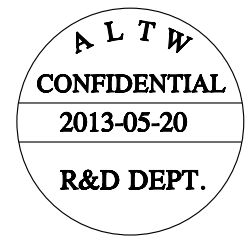
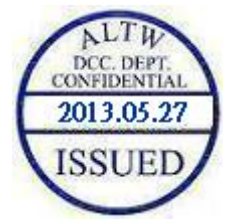


THIS DOCUMENT IS SUBJECT TO CHANGE WITHOUT NOTICE. IT IS CONFIDENTIAL AND A PROPERTY OF Amphenol LTW. DISCLOSURE TO THIRD PARTY HAS TO BE AUTHORIZED BY Amphenol LTW.

REV.	ECN NO.	DATE	SIGN	DESCRIPTION
B	LEN-760056	06/19/2007	Rommel A. Vergara	Change Orientation of Strain Relief
C	LEN-930197~201	2009/01/12	Li Xiu Zhi	Change SR
D	LEN1350253~258	2013/05/20	Yulong	Change the Dimension



SDB-09AFFM-SL7AXX
 XX: 01~99Meter
 01: 01Meter
 02: 02Meter
 :
 :
 99: 99Meter



Note:
 * \varnothing Important Dimension.
 * Waterproof Rate: IP67
 * Connector: D-SUB 9Pin Female
 * Gasket: Black, EPDM
 * Screw: Steel, Nickel Plated
 * Cable: UL2464 24AWG*9C+Drain+Al/My Black, pvc Jacket UV Resistant OD=6.0mm
 * Cable Length Tolerance: 01M:40mm
 02M~05M:60mm
 06M~10M:100mm
 11M~30M:200mm
 31M~99M:500mm

Shell	Drain	地線
9	Black	黑
8	Red	紅
7	Pink	粉紅
6	Gray	灰
5	Yellow	黃
4	Green	綠
3	White	白
2	Blue	藍
1	Brown	棕
Pin	Wire Color	
Pin Out		

UNIT:mm TOLERANCE ± 0.5	D-SUB Conn Cable Screw DB9P F Conn F Pin		Amphenol LTW 安費諾亮泰企業股份有限公司	ITEM NO	DRAWN BY Yulong_wang	DATE 2013-05-20	
	SCALE 1:1	SIZE A4		SHEET 1	DWG NO SDB-09AFFM-SL7AXX	CHECKED BY Lin_rensong	DATE 2013-05-20
	REV. D	WC-REV. A.1		\varnothing : Inspection item	CUSTOMER ALTW	APPROVED BY Victor	DATE 2013-05-20