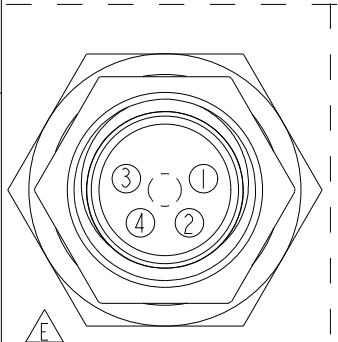
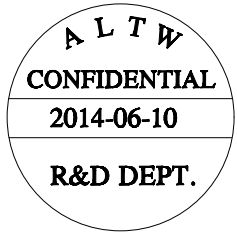
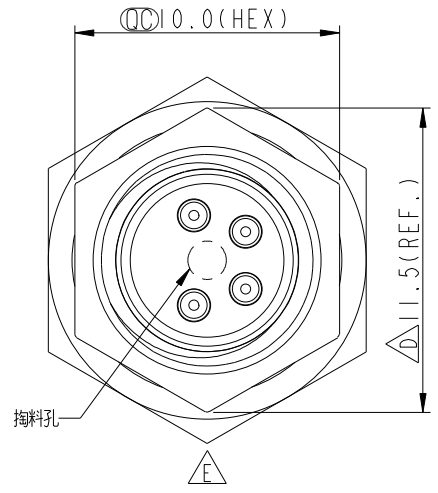
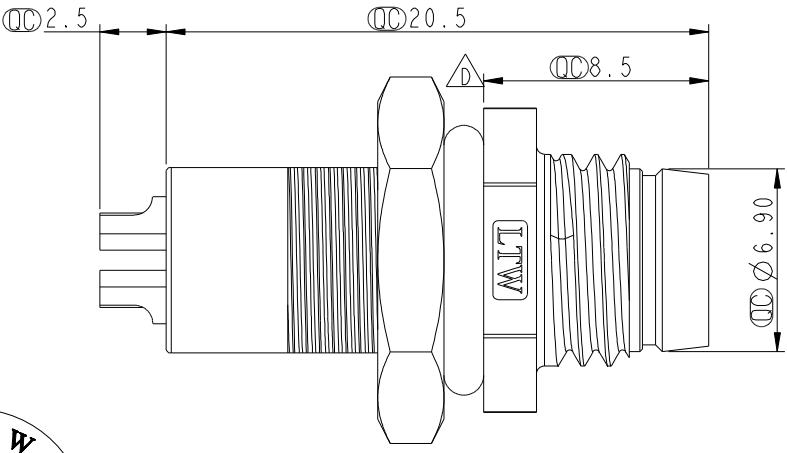
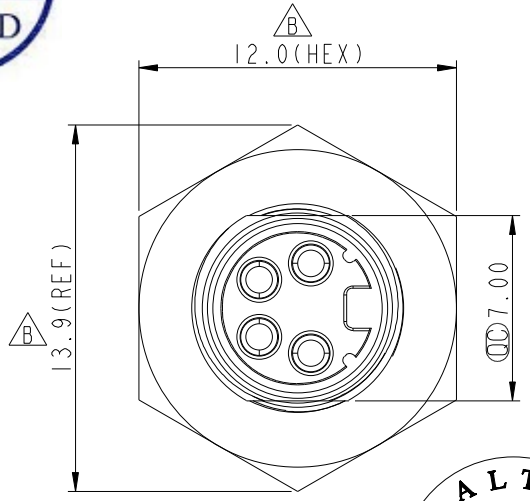
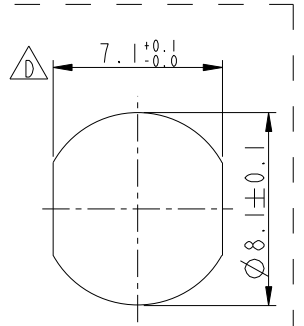


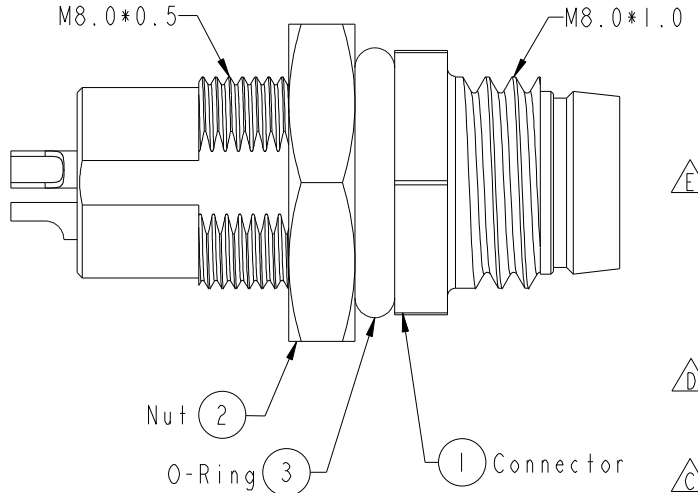
REV.	ECN NO.	DATE	SIGN	DESCRIPTION
B	LEN-750249	2007/05/26	Jason	Change Dimension of Nut
C	LEN-7A0171	2007/09/29	Myrdal	Added Note
D	LEN-910190	2009/01/07	Ivan Lin	Change rev. to ECN note
E	LEN1460127	2014/06/10	Jinhai	Change Drawing



Pin Assignments Front View



Recommended Panel Cut-Out



- Note:**
- * \varnothing Important Dimension.
 - * Waterproof Rate: IP67
 - * Housing: Nylon+GF, Black
 - * Male Pin: Copper Alloy, Gold Plated
 - * Shield: Zinc Alloy, Nickel Plated
 - * Nut: Copper Alloy, Nickel Plated
 - * O-Ring: EPDM, Black
 - * For Panel Thickness Max 3.5mm
 - * Nut Torque: 4-6 kgf.cm

UNIT:mm			TITLE	M8 Conn Panel Screw 4P M Conn M Pin		
TOLERANCE	.X ±0.25	.XX ±0.1	SCALE	7:2	SIZE	A4
.XXX ±0.05	ANGLES ±1°		REV.	E	WC-REV.	A.3
						\varnothing : Inspection item

Amphenol LTW
安費諾亮泰企業股份有限公司

ITEM NO	8-04PMMS-SH7001	DRAWN BY	Jinhai	DATE	2014/06/10
DWG NO	8-04PMMS-SH7001	CHECKED BY	Tom-Gu	DATE	2014/06/10
CUSTOMER	ALTW	APPROVED BY	Jerry	DATE	2014/06/10

THIS DOCUMENT IS SUBJECT TO CHANGE WITHOUT NOTICE. IT IS CONFIDENTIAL AND A PROPERTY OF Amphenol LTW. DISCLOSURE TO THIRD PARTY HAS TO BE AUTHORIZED BY Amphenol LTW.