

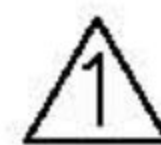
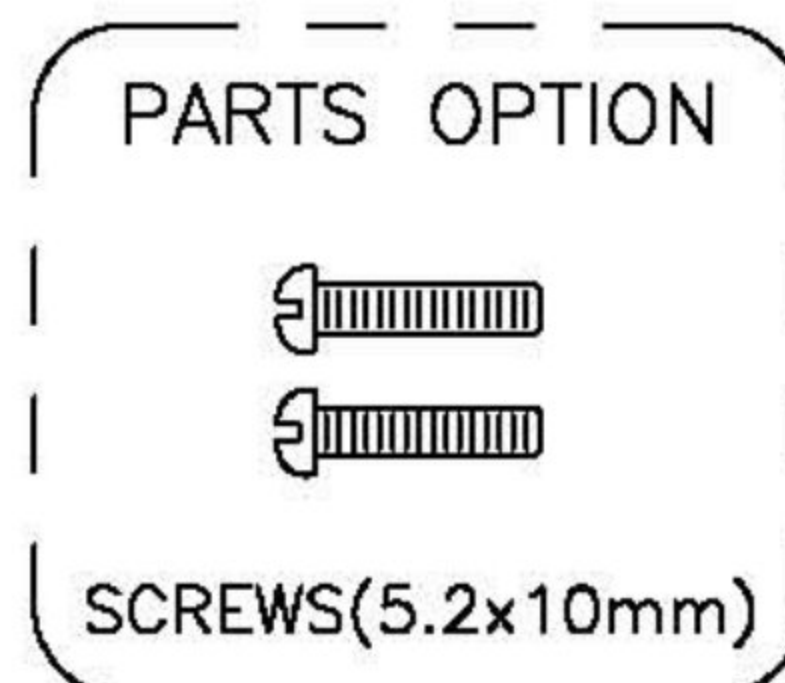
MATERIAL & FINISHES

INSULATOR - P.B.T. +30%GLASS FIBER
 UL 94V-0
 CONTACT - PHOSPHOR BRONZE
 SHELL FINISH - STEEL NICKEL PLATED
 HOOD - STEEL
 PLATING - CONTACT
 1. GOLD FLASH (COMPLETE)
 2. SELECTIVE GOLD OVER NICKEL PLATED
 (CONTACT AREA) TIN OVER NICKEL
 PLATED (TAIL AREA)
 - SHELL
 NICKEL OVER COPPER PLATED
 - HOOD
 NICKEL OVER COPPER PLATED

ELECTRICAL CHARACTERISTICS

RATING CURRENT : 1 AMP
 CONTACT RESISTANCE : < 25 MILLIOHM
 INSULATION RESISTANCE:
 > 1000 MEGOHM AT 500V
 DIELECTRIC VOLTAGE :
 1000V AT 1 MINUTE
 OPERATION TEMPERATURE :
 -55°C TO +105°C
 APPLIED TO WAVE SOLDER CAPABLE
 TO 240°

NO	PAR NAME
1	CABLE CLAMP
2	RIVET
3	SCREW
4	BACK SHELL
5	TERMINAL
6	INSULATOR
7	FRONT SHELL



POSITION	A	B	C	D
36F	48.90	59.70	67.70	22.50
50F	64.10	74.90	82.80	24.90

RoHS Compliant		HSM 玄茂科技股份有限公司 HSUAN MAO TECHNOLOGY CO., LTD.	
APPD. 核准 HELEN	SCALE 比例 參考	TOLERANCE 容許公差 D. ±0.5 .0 ±0.3 ANG. ±5°	PART NAME 品名 CENTRONIC SOLDER TYPE 36F/50F W/REAR METAL COVER SIMPLE TYPE THREAD INSERT 4-40UNC W/LATCH NICKEL SHELL ROHS
DWG. 製圖 ABBY		UNIT 單位 MM	SIZE. 紙張尺寸 A4
DATE 制表日 2012/03/21	PAGE 張數 1 OF 1	REV. 版次 A	PART NO. 料號 C0710-(36,50)FEBXX0R