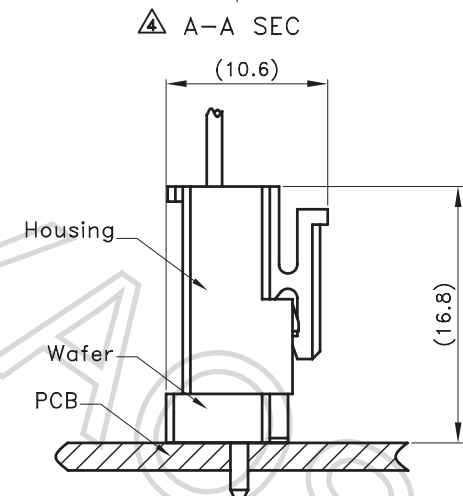
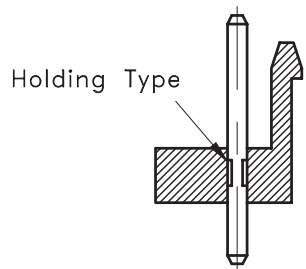
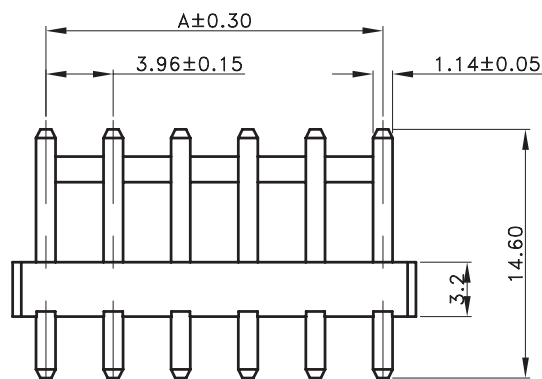
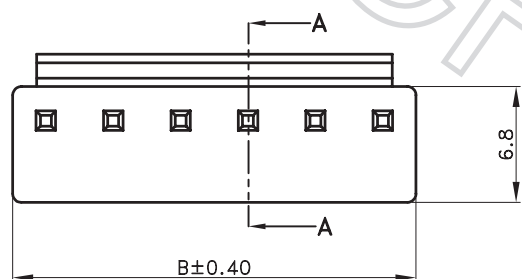


Recommend PCB Layout



Recommend Assembly Dim

Poles	Dimension(mm)	
	A	B
2	3.96	7.86
3	7.92	11.82
4	11.88	15.78
5	15.84	19.74
6	19.80	23.70
7	23.76	27.66
8	27.72	31.62
9	31.68	35.58
10	35.64	39.54
11	39.60	43.50
12	43.56	47.46
13	47.52	51.42
14	51.48	55.38
15	55.44	59.34

R & D
Dept
2012.09.24
ISSUED

■ SPECIFICATIONS

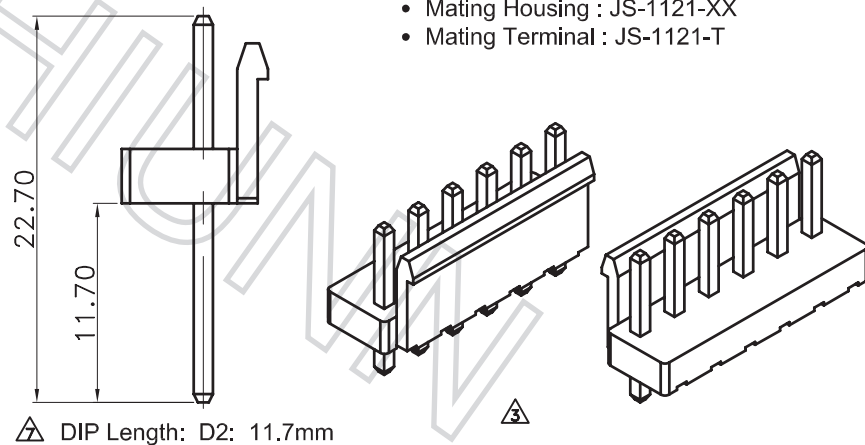
- Voltage Rating : 250V AC/DC
- Current Rating : 7A AC/DC
- Withstanding Voltage : 1500V AC/minute
- Insulation Resistance : 1000MΩ min
- Temperature Range : - 25°C to + 105°C
- Contact Resistance : 20mΩ max

■ WAFER

- Part No. : QJS-1120-XX X XX X XX (XX)
① ② ③ ④ ⑤ ⑥

- ① Poles No.:2-15
- ② TYPE: Blank: Normal Type
S; Holding Type
- ③ Base Material: Blank: Nylon 66 UL94V-0
GF: Nylon 66+G.F
- ④ Plated: Blank: Tin Plated
G: Gold Plated
- ⑤ Color: Blank: Natural
BK: Black
BU: Blue(660C)
R: Red(199C)
- ⑥ DIP Length: Blank: 3.6mm
D: 3.2mm
D1: 2.7mm
D2: 11.7mm

- Material : Contact : Brass
Base : Refer of the above options
- Mating Housing : JS-1121-XX
- Mating Terminal : JS-1121-T



喬訊電子工業股份有限公司
CHYAO SHIUNN
ELECTRONIC INDUSTRIAL LTD.

PART NO JS-1120-XX
3.96mm Wire to Board Connector

APPROVED BY	SCALE	UNIT	TOLERANCE	LTR	REVISION RECORD	NAME	DATE	LTR	REVISION RECORD	NAME	DATE
張育瑞		mm	.0 ±0.30	△	變更原因遺失	余秀麗	2011/05/15	△			
CHECKED BY	PROJ	VER NO.	.00 ±0.20	△	電路位置設定變更	黃科源	2008/04/08	△			
黃科源		a7	.000 ±0.10	△	增加示意圖	林文泰	2010/06/28	△			
DRAWN BY	DATE	SIZE	ANGLE	△	修改操作溫度	吳沛倫	2011/05/15				
			0° ±1°	△	增加鍍金產品	王誠賢	2011/09/08				
周美麗	2012/09/18	A4	0° ±	△	增加新產品規格	周美麗	2012/07/16				
			SHEET 1/1	△	增加新產品規格	周美麗	2012/09/18				

CUSTOMER
Conforms to The RoHS Instruction