

**Product number CA11663_HEIDI-RS**

Family	Heidi	FWHM	10 degrees
Type	Assembly	Efficiency	90 %
LED	XB-H	cd/lm	18.300
Color	Clear	Gerber File	Available
Diameter	21.6 mm		
Height	11.7 mm		
Style	Round		
Optic Material	PMMA		
Holder Material	-		
Fastening	Pin, tape		
Status	On production		

**Product number CA11264_HEIDI-D**

Family	Heidi	FWHM	11 degrees
Type	Assembly	Efficiency	87 %
LED	XB-H	cd/lm	12.700
Color	Clear	Gerber File	Available
Diameter	21.6 mm		
Height	11.7 mm		
Style	Round		
Optic Material	PMMA		
Holder Material	-		
Fastening	Pin, tape		
Status	On production		

**Product number CA11267_HEIDI-O-90**

Family	Heidi	FWHM	11+52 degrees
Type	Assembly	Efficiency	80 %
LED	XB-H	cd/lm	3.200
Color	Clear	Gerber File	Available
Diameter	21.6 mm		
Height	12.1 mm		
Style	Round		
Optic Material	PMMA		
Holder Material	-		
Fastening	Pin, tape		
Status	On production		

**Product number CA11265_HEIDI-M**

Family	Heidi	FWHM	27 degrees
Type	Assembly	Efficiency	87 %
LED	XB-H	cd/lm	3.400
Color	Clear	Gerber File	Available
Diameter	21.6 mm		
Height	11.7 mm		
Style	Round		
Optic Material	PMMA		
Holder Material	-		
Fastening	-		
Status	On production		


Product number CA11268_HEIDI-W

Family	Heidi	FWHM	33 degrees
Type	Assembly	Efficiency	88 %
LED	XB-H	cd/lm	2.300
Color	Clear	Gerber File	Available
Diameter	21.6 mm		
Height	11.7 mm		
Style	Round		
Optic Material	PMMA		
Holder Material	-		
Fastening	Pin, tape		
Status	On production		


Product number CA12079_HEIDI-W2

Family	Heidi	FWHM	45 degrees
Type	Assembly	Efficiency	80 %
LED	XB-H	cd/lm	1.200
Color	Clear	Gerber File	Available
Diameter	21.6 mm		
Height	12 mm		
Style	Round		
Optic Material	PMMA		
Holder Material	-		
Fastening	Pin, tape		
Status	On production		


Product number CA11266_HEIDI-O

Family	Heidi	FWHM	53+11 degrees
Type	Assembly	Efficiency	83 %
LED	XB-H	cd/lm	3.300
Color	Clear	Gerber File	Available
Diameter	21.6 mm		
Height	11.7 mm		
Style	Round		
Optic Material	PMMA		
Holder Material	-		
Fastening	Pin, tape		
Status	On production		

NOTE: The typical divergence will be changed by different color, chip size and chip position tolerance. The typical total divergence is the full angle measured where the luminous intensity is half of the peak value.



PRODUCT DATASHEET

Heidi series

last update 24/11/2014

GENERAL INFORMATION

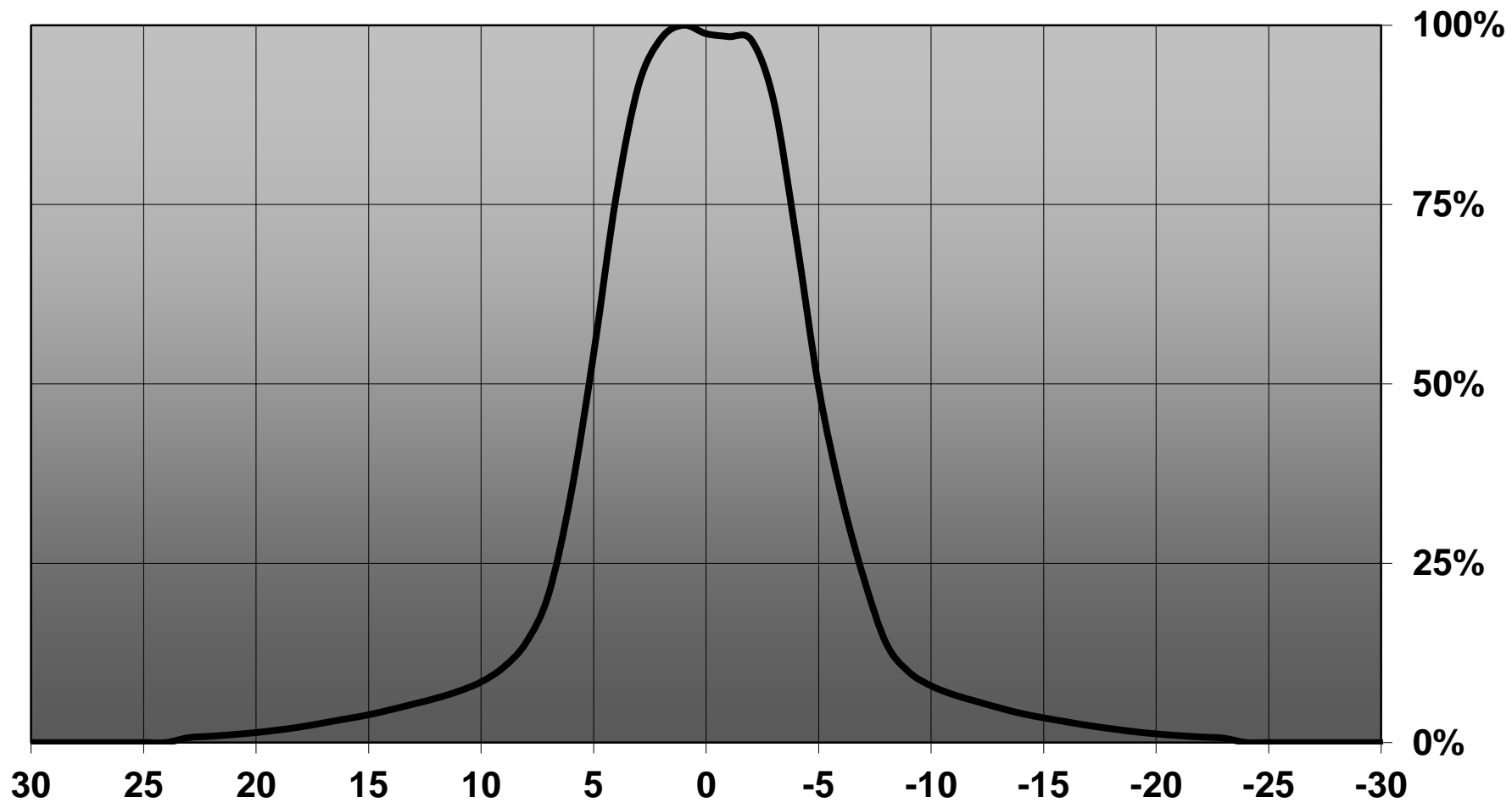
- Product series especially designed & optimized for XB-H series of LEDs.
- Special care taken to make light distribution as uniform as possible.
- Lens material optical grade PMMA with high UV and temperature resistance. Allows use of high current and temperature conditions.

Please find more information about used material from below:

http://ledil.fi/sites/default/files/Documents/Technical/Material/PMMA%20N%20UL94_Yellow%20Card.pdf

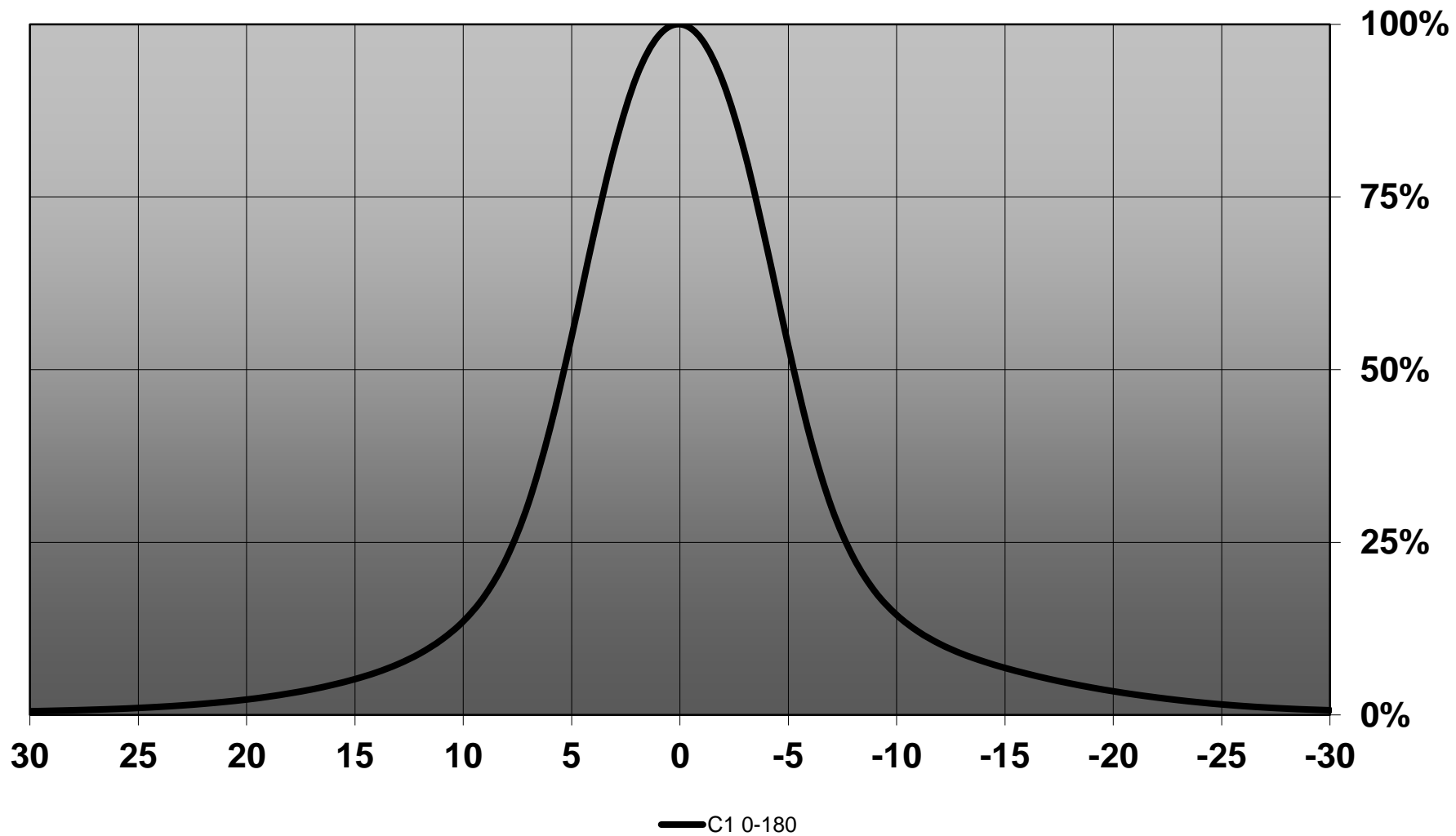
<http://ledil.fi/sites/default/files/Documents/Technical/Material/PMMA%20N%20PLEXIGLAS-Datasheet.pdf>

Relative intensity of CA11663_HEIDI-RS_(XB-H)

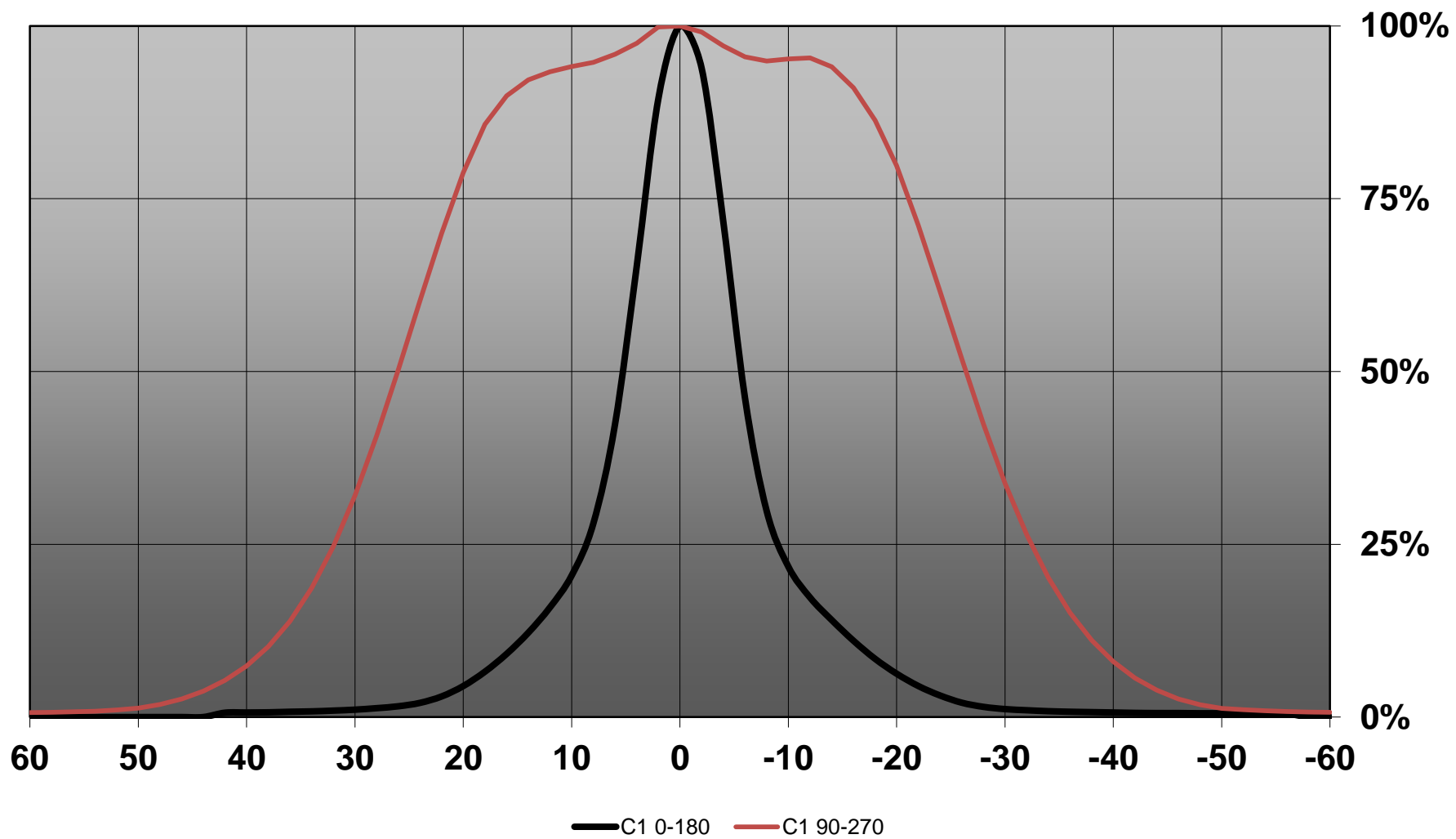


— C1 0-180

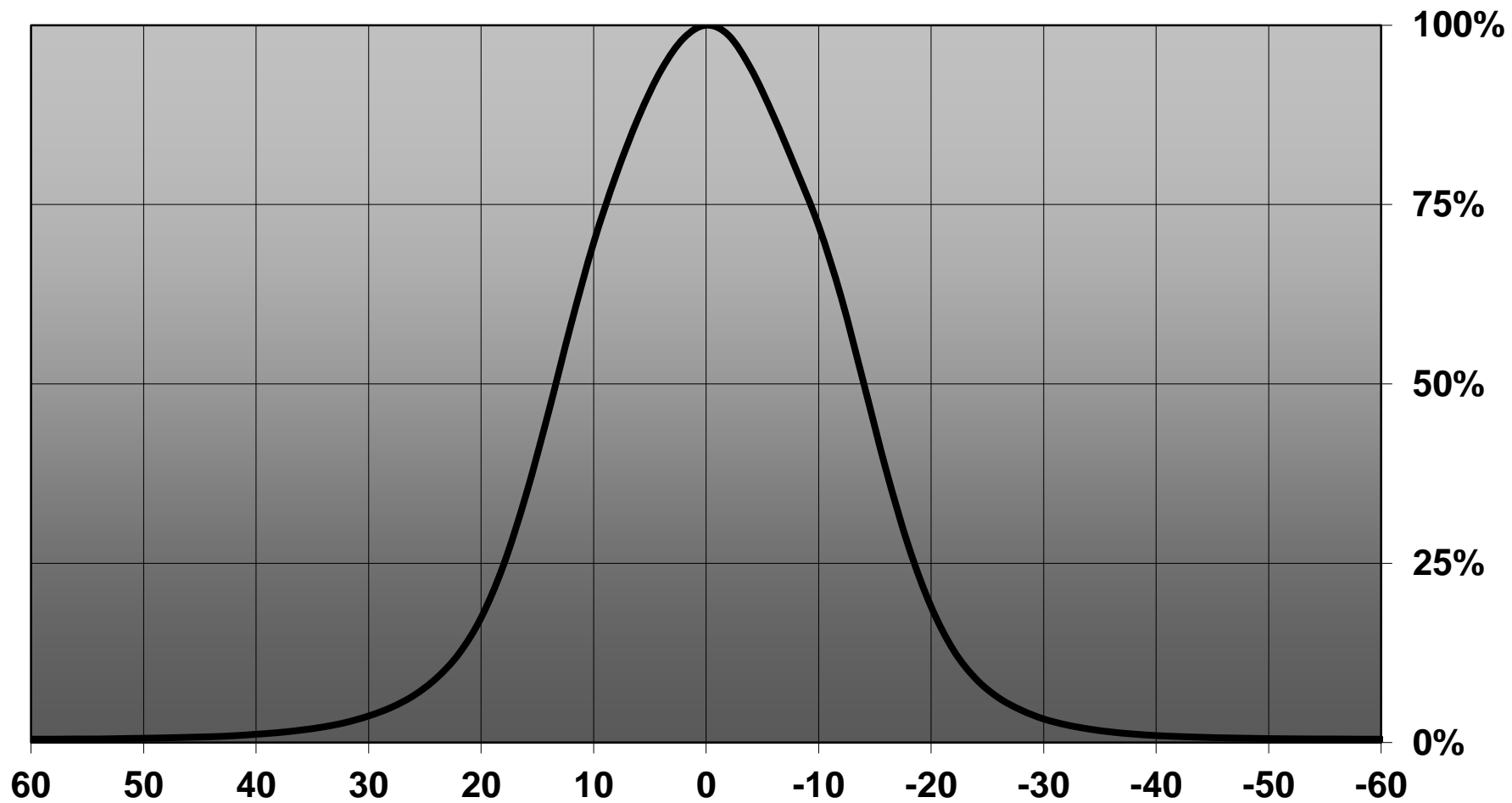
Relative intensity of CA11264_HEIDI-D_(XB-H)



Relative intensity of CA11267_HEIDI-O-90_(XB-H)

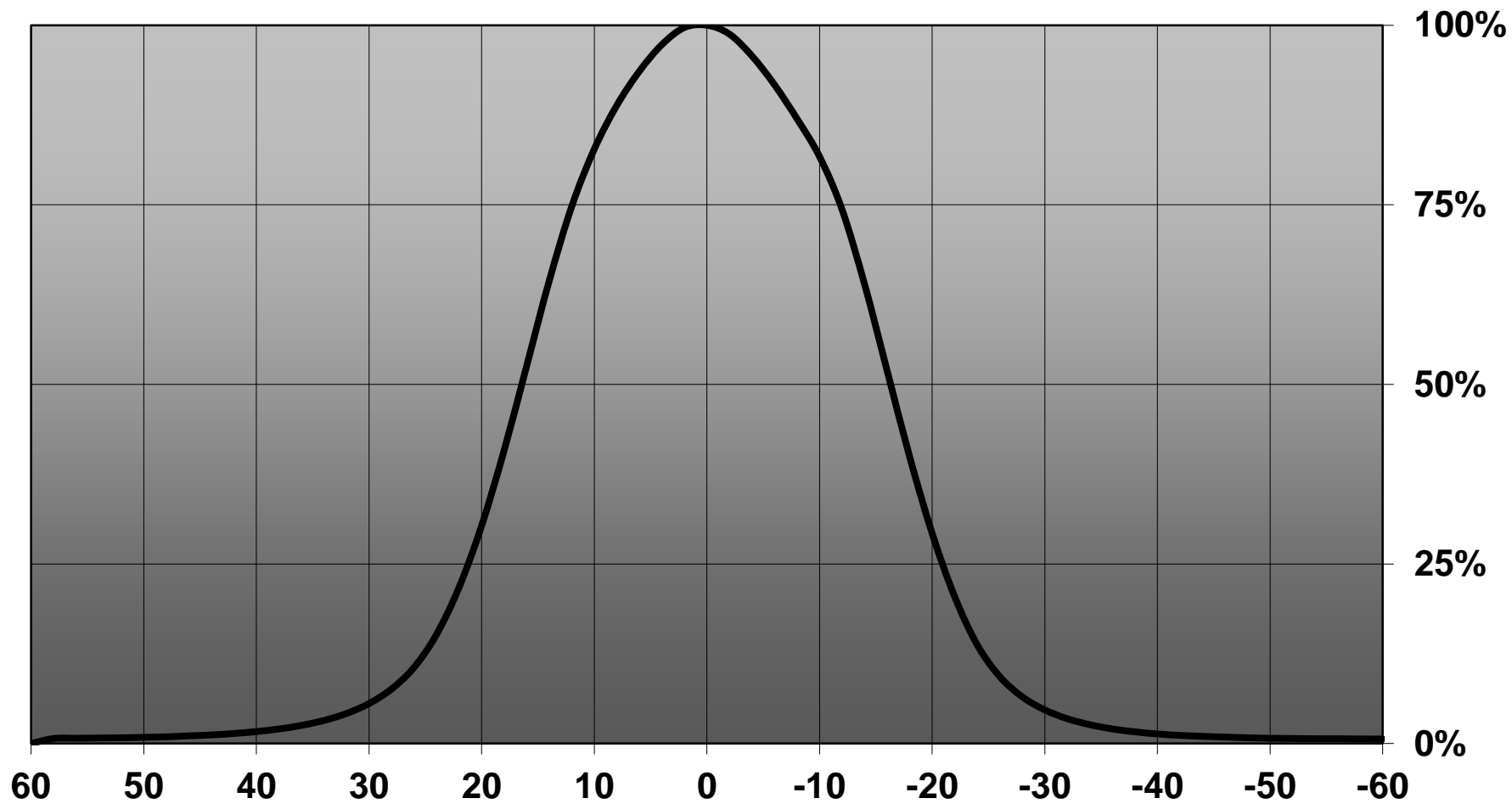


Relative intensity of CA11265_HEIDI-M_(XB-H)



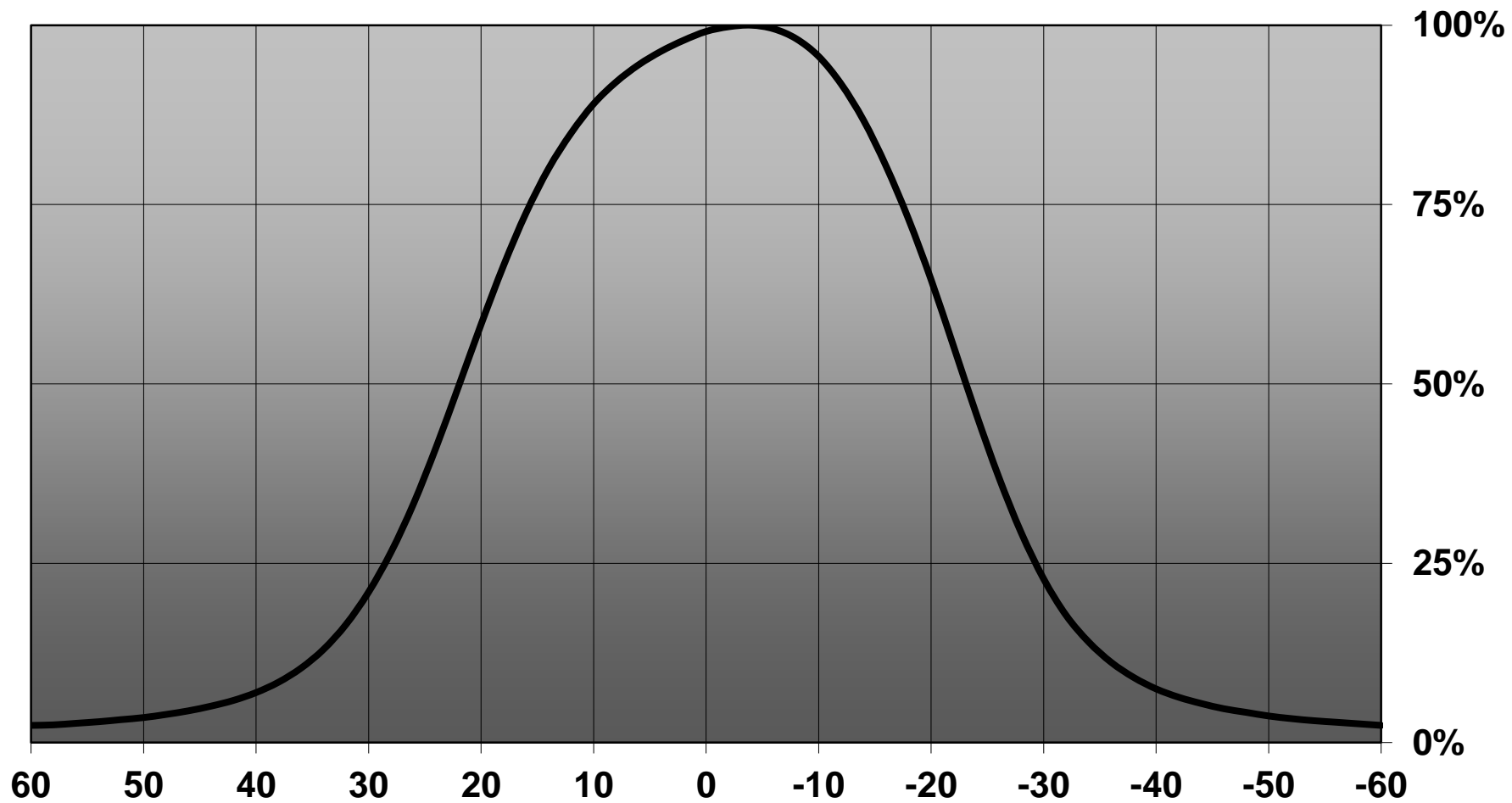
— C1 0-180

Relative intensity of CA11268_HEIDI-W_(XB-H)



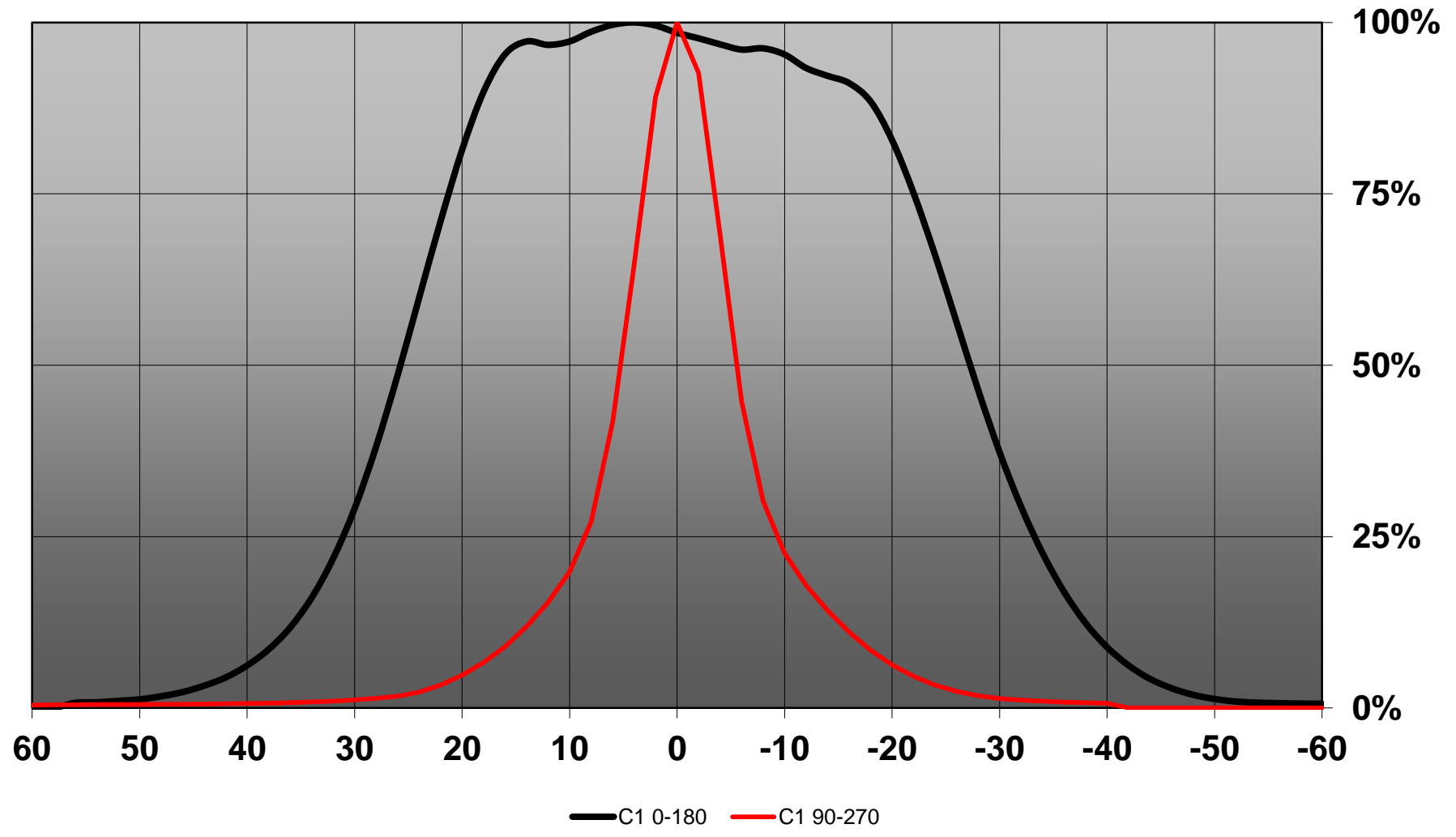
— C1 0-180

Relative intensity of CA12079_HEIDI-W2_(XB-H)



— C1 0-180

Relative intensity of CA11266_HEIDI-O_(XB-H)



D

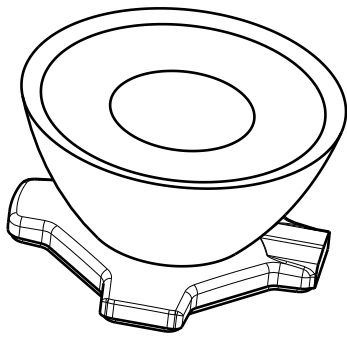
C

B

A

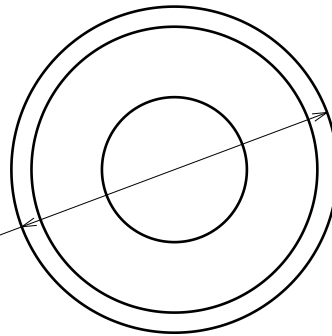
4

4



Isometric view

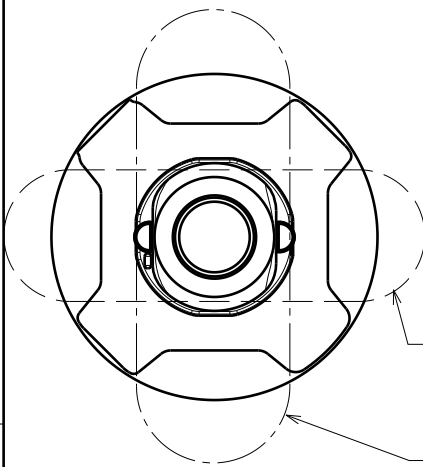
Ø 21.6



Top view

3

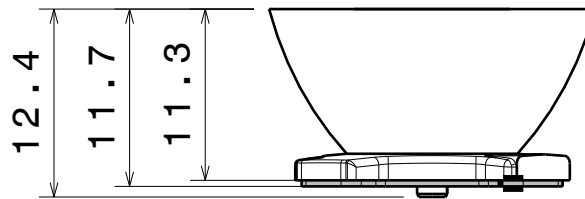
3



Bottom view
OVAL BEAM direction

Heidi-0

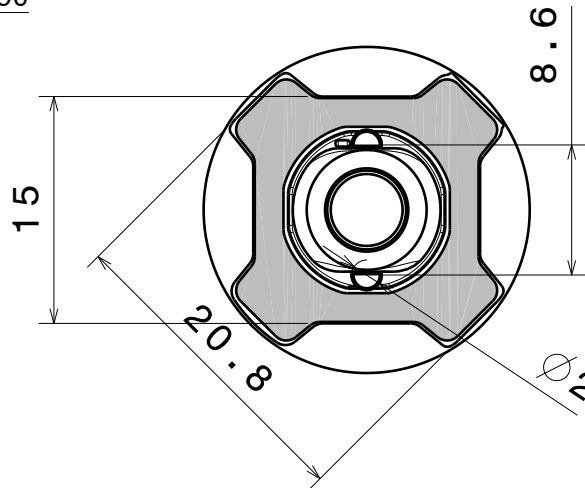
Heidi-0-90



Front view

2

2



8.6 Between pin midpoints

Bottom view

Material:
Lens PMMA
Tape PU Foam

This drawing is our property.
It can't be reproduced
or communicated without
our written agreement.



Ledil Oy
Salorankatu 10
FIN-24100 SALO
Finland

DRAWING TITLE

Datasheet Heidi-Series Assy

DRAWN BY
ah

DATE
1.2.2012

CHECKED BY

DATE

SIZE
A4

DRAWING NUMBER

REV
2

DESIGNED BY

DATE

SCALE 2:1 WEIGHT (g)

SHEET 1/1

D

A

1

1