

DETAILS

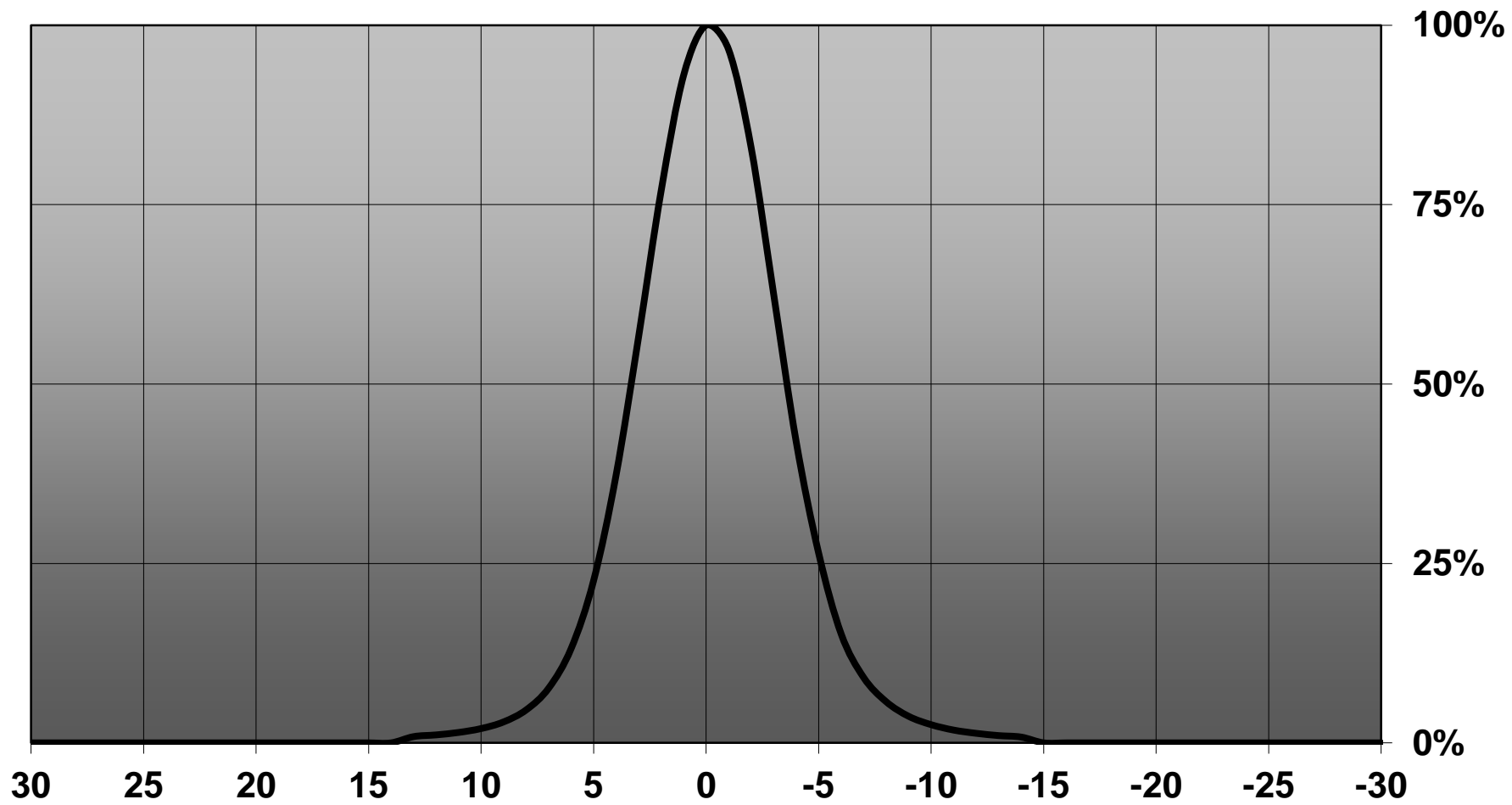
Product Number	CN10861_IRIS
Family	Iris
Type	Pack
Color	black
Diameter	38 mm
Height	28,5 mm
Style	round
Optic Material	PMMA
Holder Material	
Fastening	glue, screw
Status	production ready
ROHS Compliant	Yes
Date Updated	31/10/2016

OPTICAL PROPERTIES

LED	Viewing	Light	Effi-		Connector
	Angle	Beam	ciency	cd/lm	
MC-E	12 deg	Spot	90 %	17.500	-
XHP50	10 deg	Spot	87 %	11.100	-
MHD-E/G	17 deg	Spot	91 %	5.700	-
LUXEON M	16 deg	Spot	87 %	9.100	-
LUXEON MZ	12 deg	Spot	82 %	15.840	-
LUXEON 5258	sim: 11	Spot	sim: 89 %	sim: 17.800-	
NFMW48xA	12 deg	Spot	84 %	12.800	-
Ostar Lighting	11 deg	Spot	90 %	-	-
Duris S10	13 deg	Spot	79 %	8.800	-
Duris P10	sim: 14	Spot	sim: 87 %	sim: 13.500-	
Z5M1/Z5M2	7 deg	Spot	83 %	40.400	-



Relative intensity of CN10861_IRIS_(Z5M1)

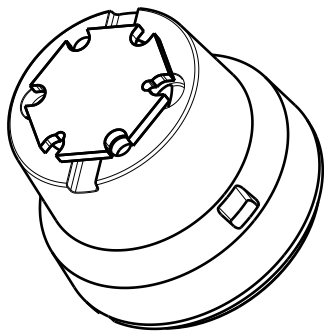


D

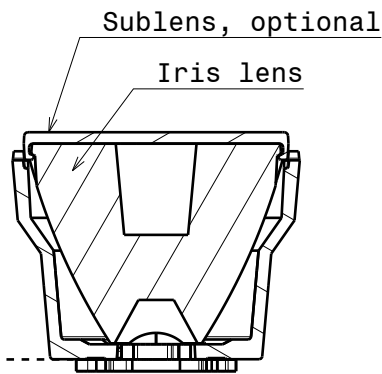
C

B

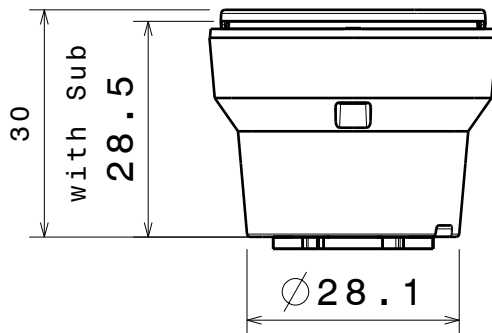
A



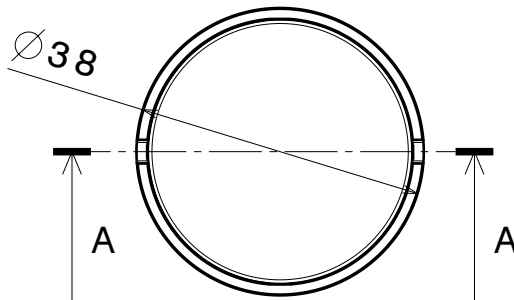
Isometric view



Section view A-A



Front view



Top view

Materials:
 Lens PMMA
 Holder PC

This drawing is our property.
 It can't be reproduced
 or communicated without
 our written agreement.



Ledil Oy
 Salorankatu 10
 FIN-24100 SALO
 Finland

DRAWING TITLE

Datasheet Iris MC/ Ostar assy

DRAWN BY
 a

DATE
 13.4.2012

CHECKED BY
 x x

DATE
 13.4.2012

SIZE
 A4

DRAWING NUMBER
 -

REV
 1

DESIGNED BY

DATE

SCALE

1:1

WEIGHT (g)

SHEET

1/1

D

A

4

4

3

3

2

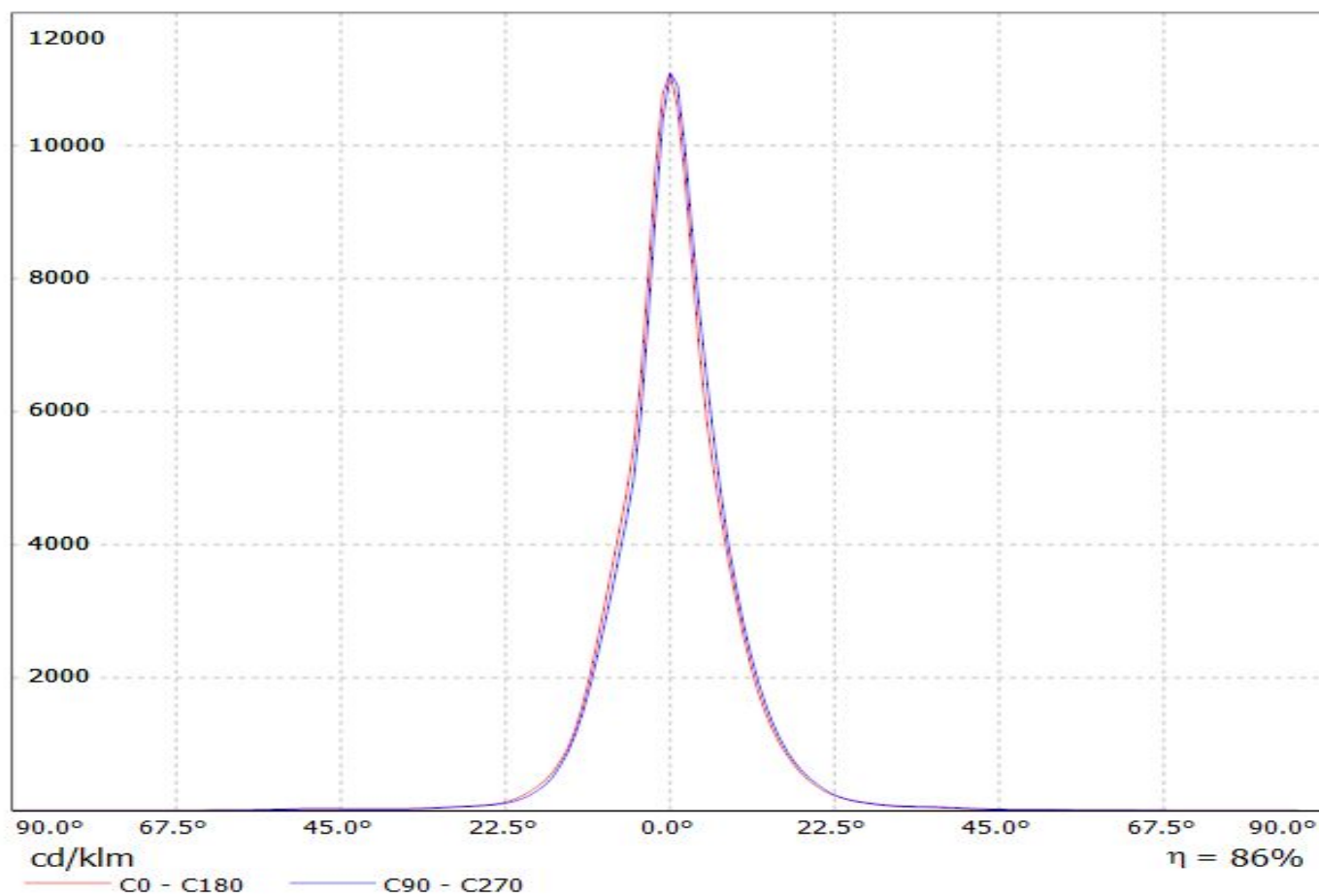
2

1

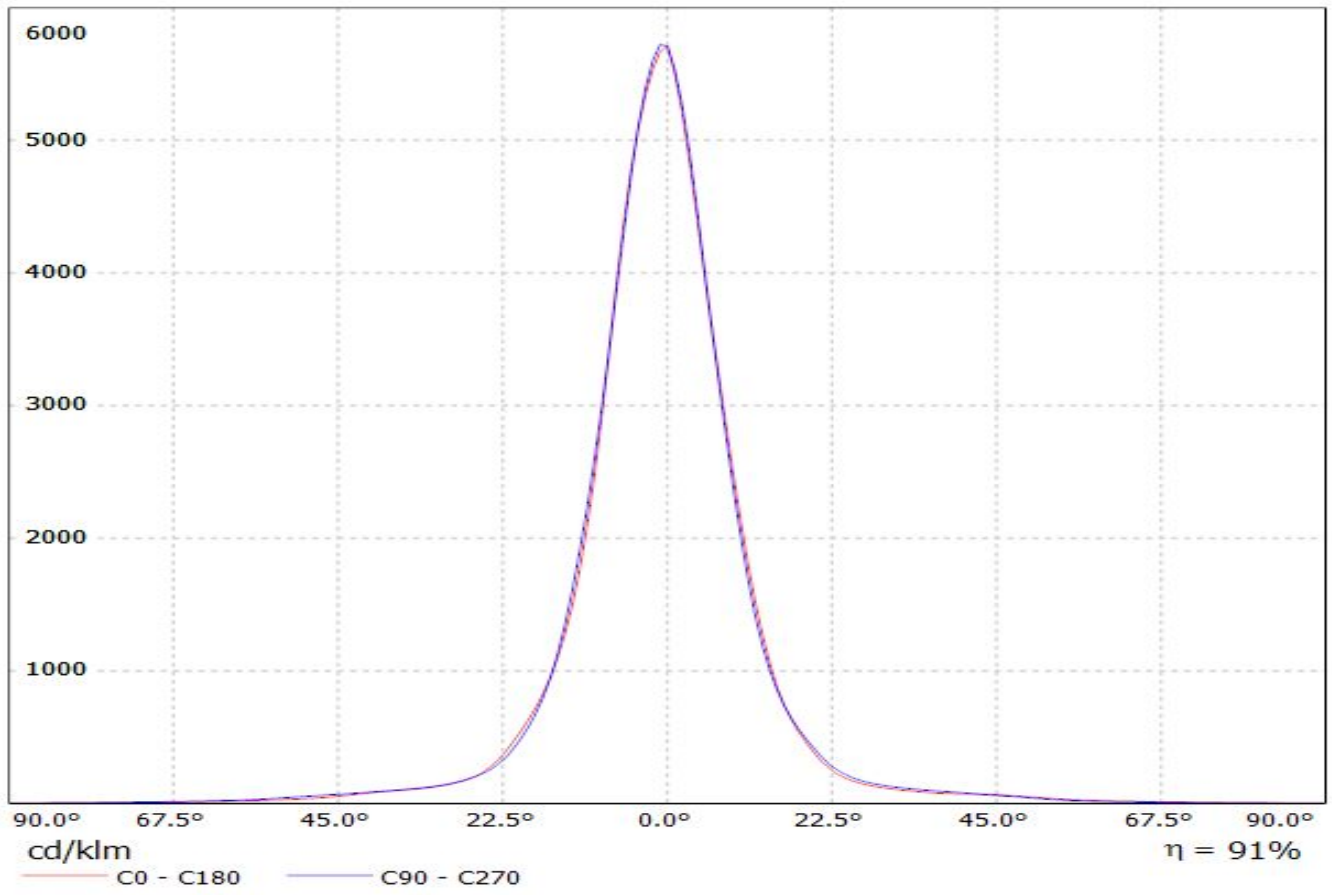
1

Luminaire: LEDiL Oy CN10861_IRIS_(CREE_XHP50_WARM_WHITE)

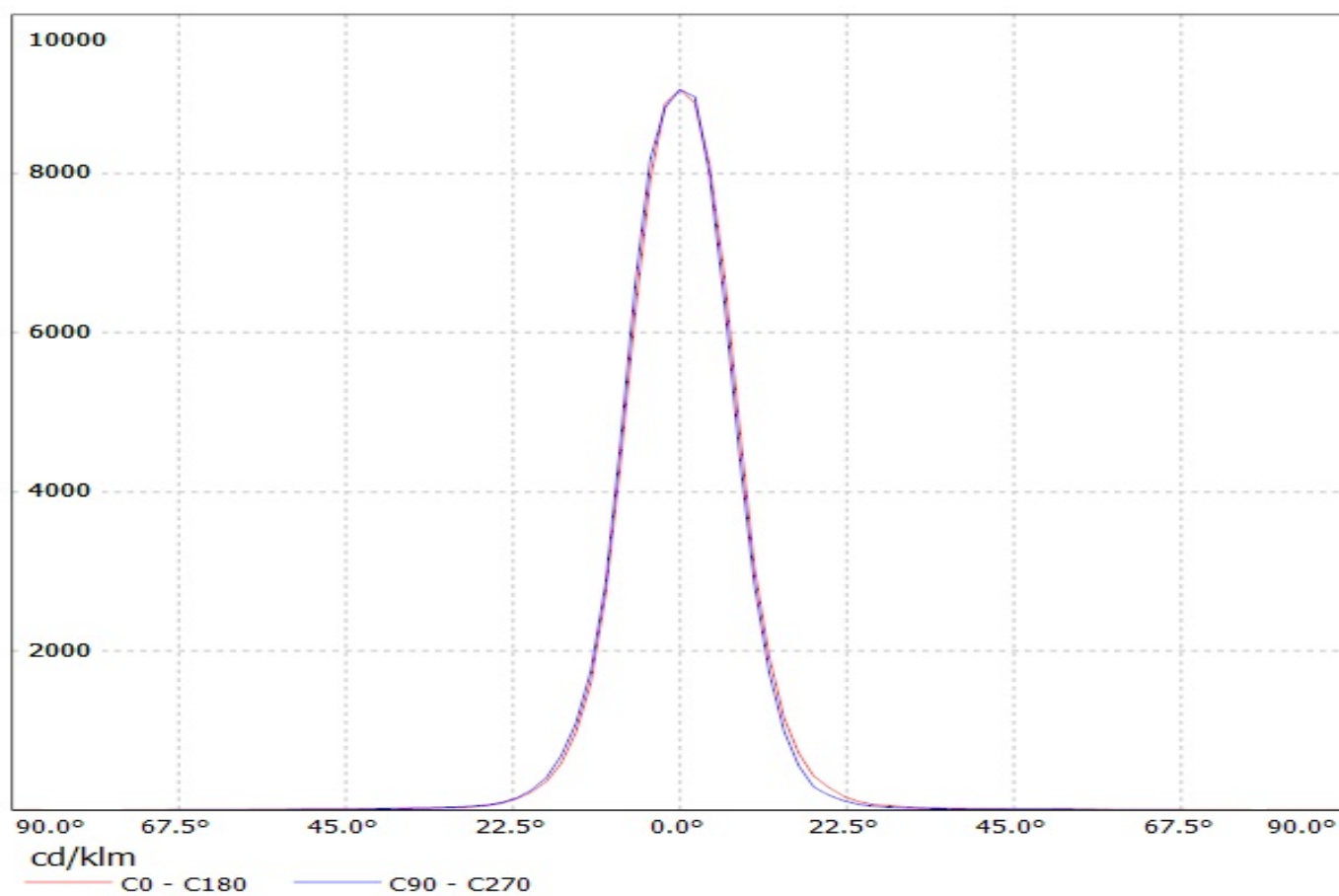
Lamps: 1 x CREE_XHP50_WARM_WHITE_195.088lm@250mA_P=1.40004W_I=0.2499A



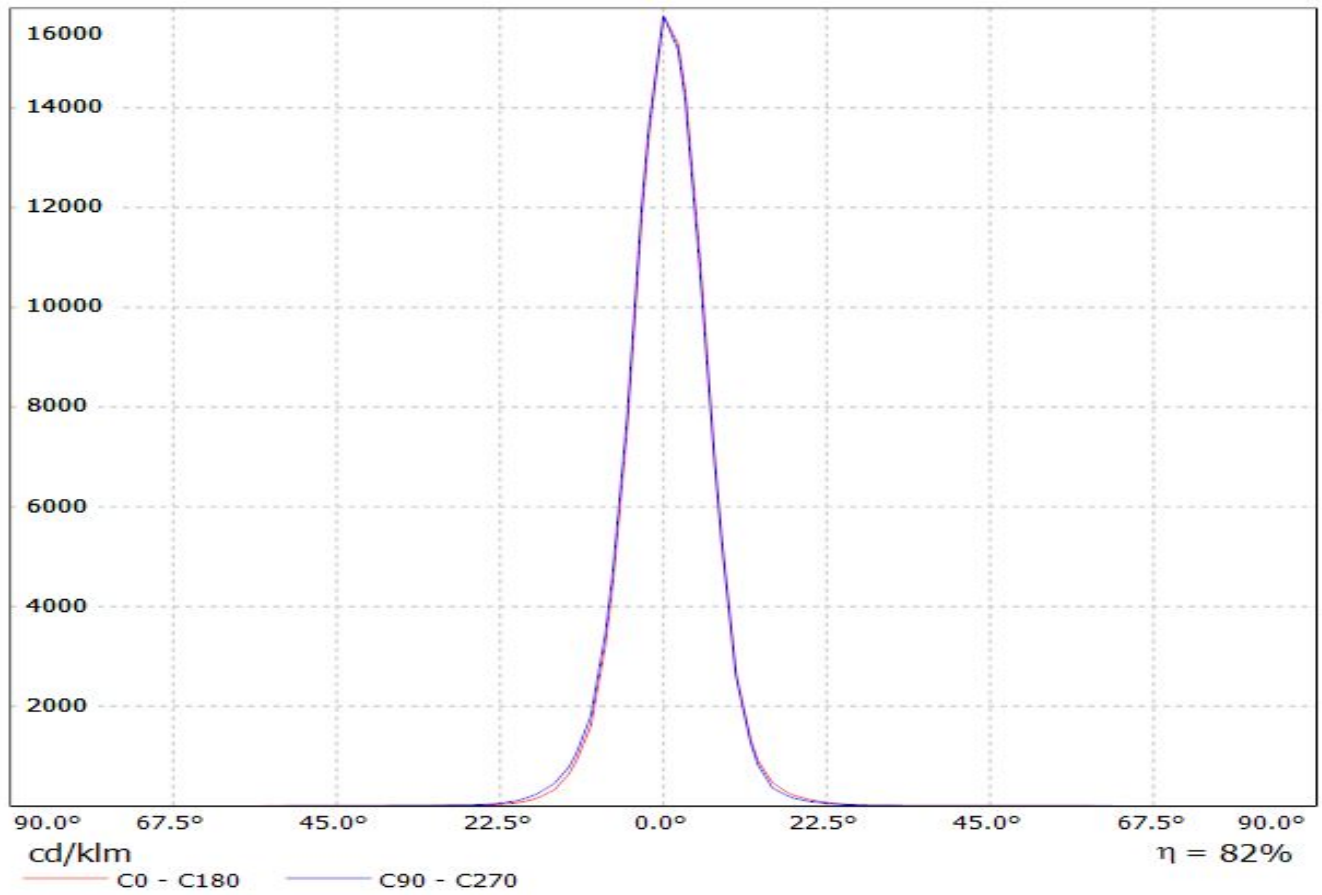
Luminaire: Ledil CN10861_IRIS_(MHD-G)
Lamps: 1 x MHD-G_528.91lm@100mA_P=3.0W_I=0.100A



Luminaire: Ledil Oy CN10861-IRIS (Luxeon M 362lm @ 250mA) Efficiency=83%
Lamps: 1 x Luxeon M 362lm @ 250mA

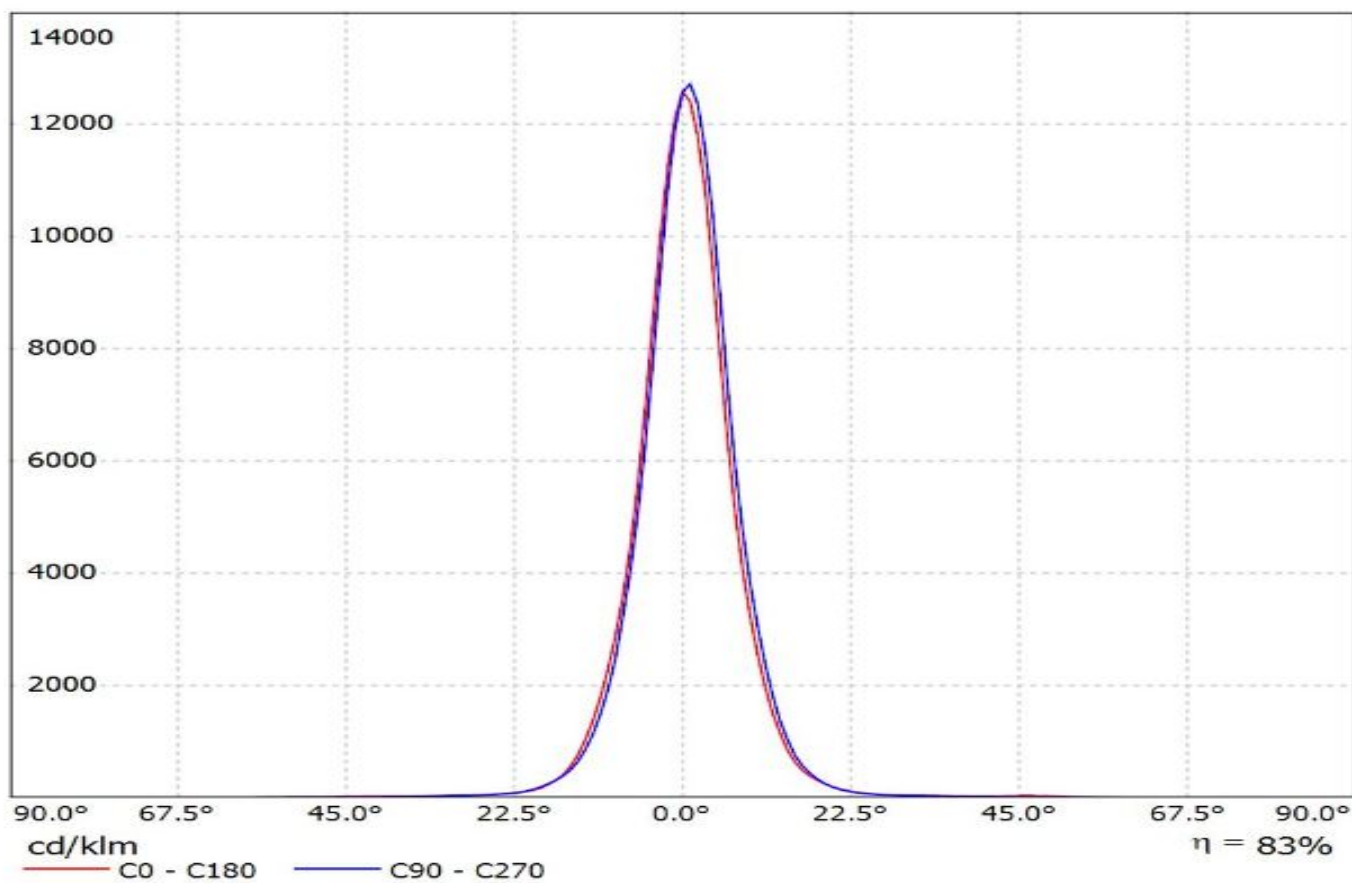


Luminaire: Ledil Oy CN10861_IRIS_(Luxeon MZ) Efficiency=82%
Lamps: 1 x Luxeon MZ 259.83lm @ 250mA CCT= P=2.75W I=250mA

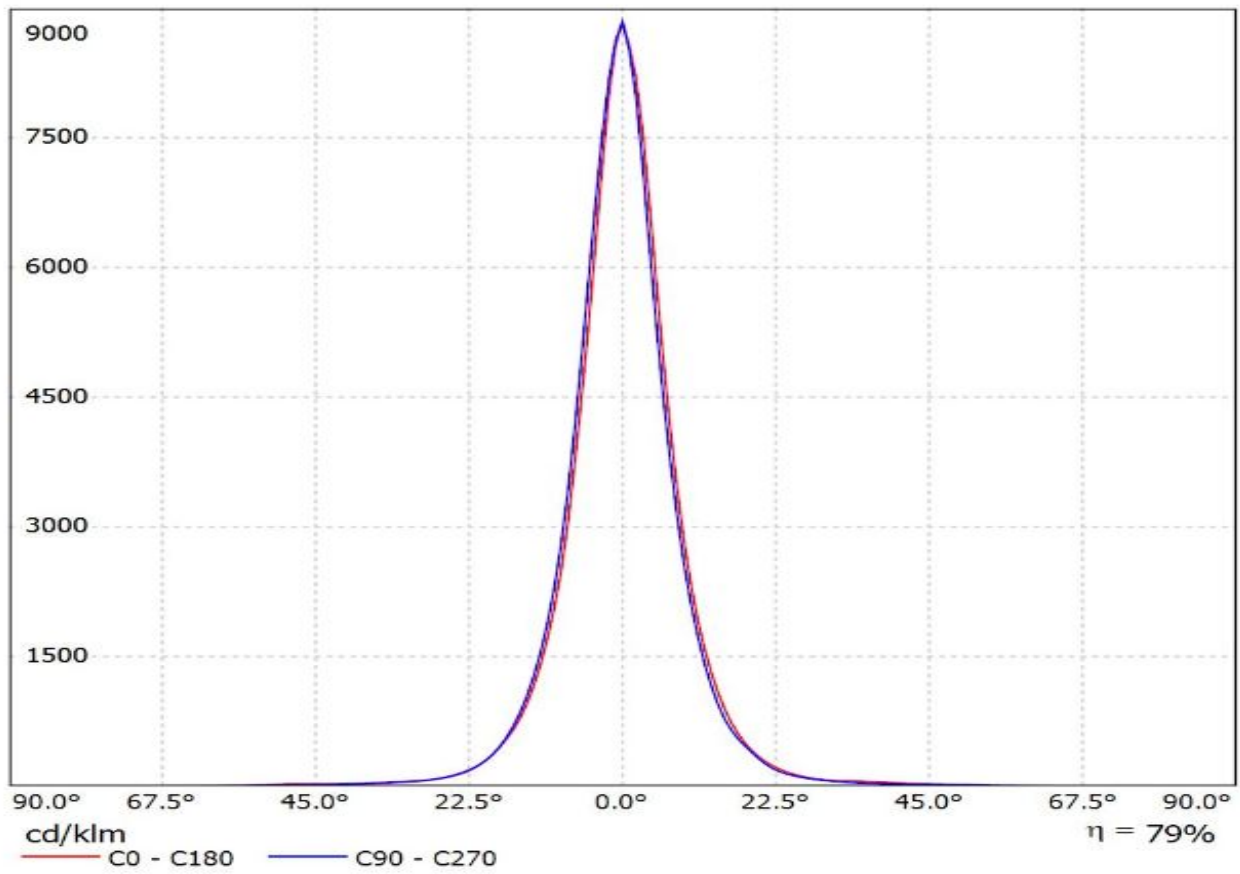


Luminaire: LEDiL Oy CN10861_IRIS_(NFMX48xAR_14chip)

Lamps: 1 x Nichia_NFMX48xAR_14chip_(NFMW488AR)_561.275lm@100mA_P=4.11057W_I=0.100A

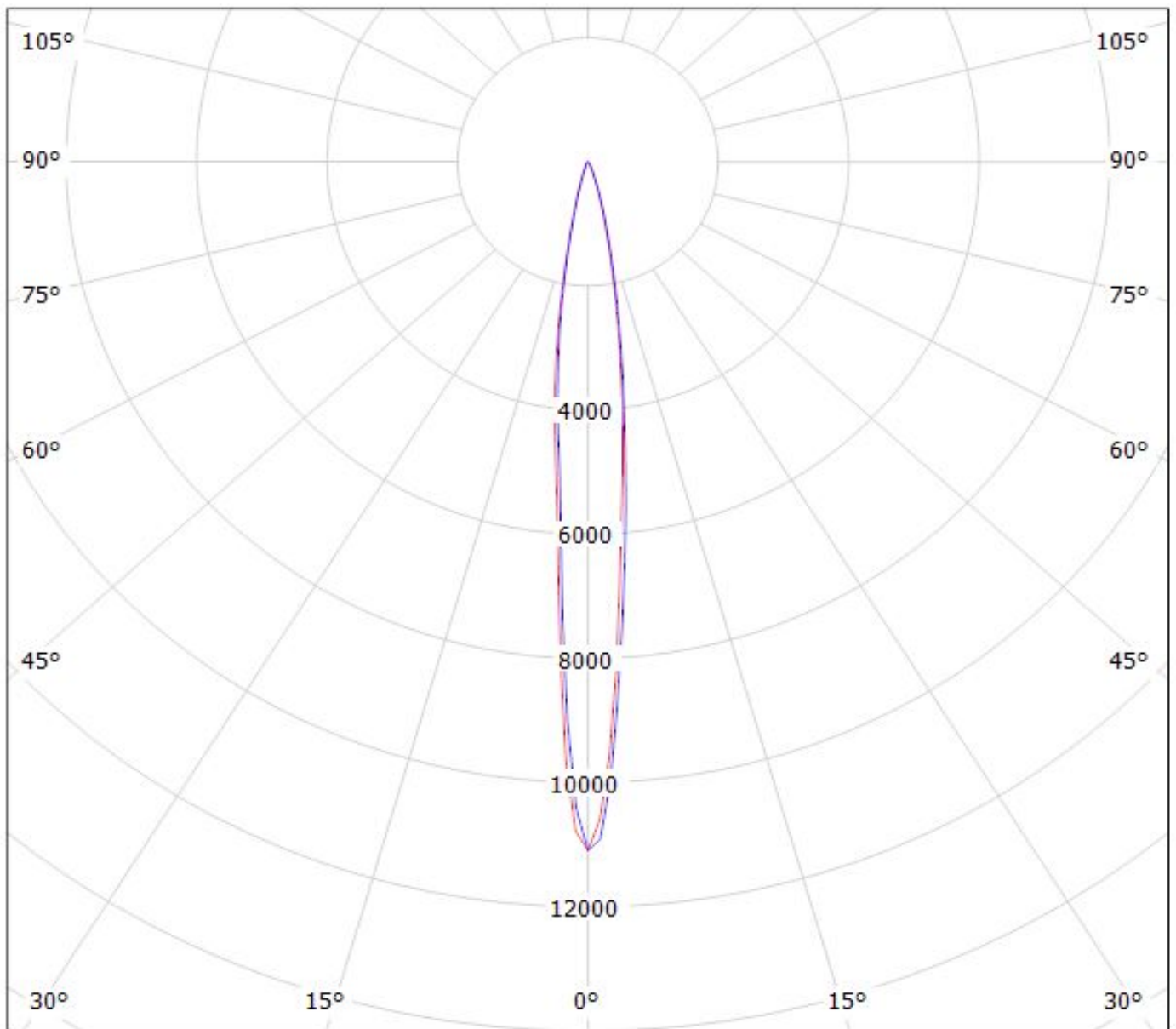


Luminaire: Ledil CN10861_IRIS_(Duris_S10)
Lamps: 1 x Osram_Duris_S10_(GWP7LM32.CM)_298.59lm@100mA_P=2.52277W_I=0.1A



Luminaire: LEDiL Oy CN10861_IRIS_(CREE_XHP50_WARM_WHITE)

Lamps: 1 x CREE_XHP50_WARM_WHITE_195.088lm@250mA_P=1.40004W_η=0.2499A



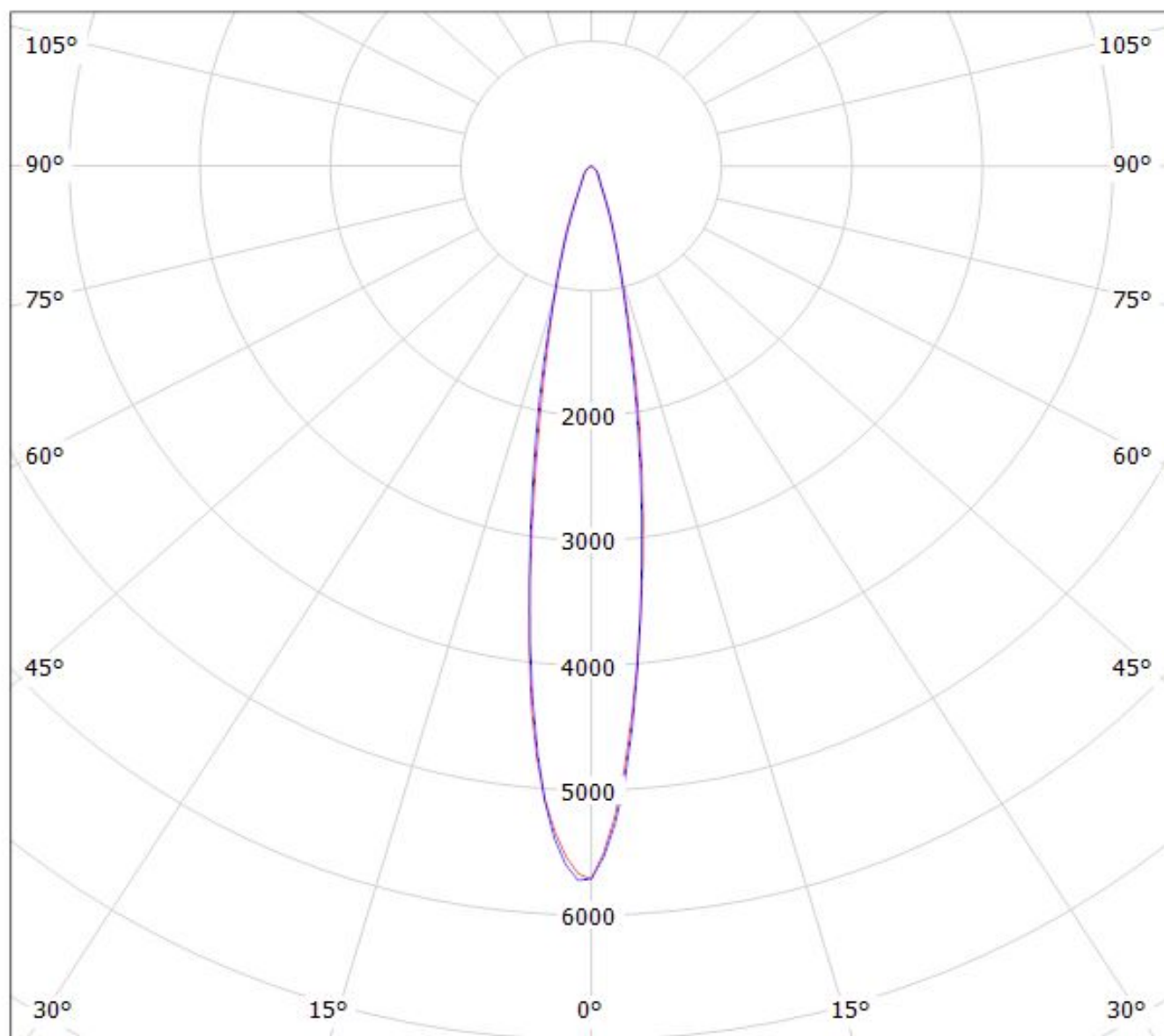
cd/klm

η = 86%

— C0 - C180

— C90 - C270

Luminaire: Ledil CN10861_IRIS_(MHD-G)
Lamps: 1 x MHD-G_528.91lm@100mA_P=3.0W_I=0.100A

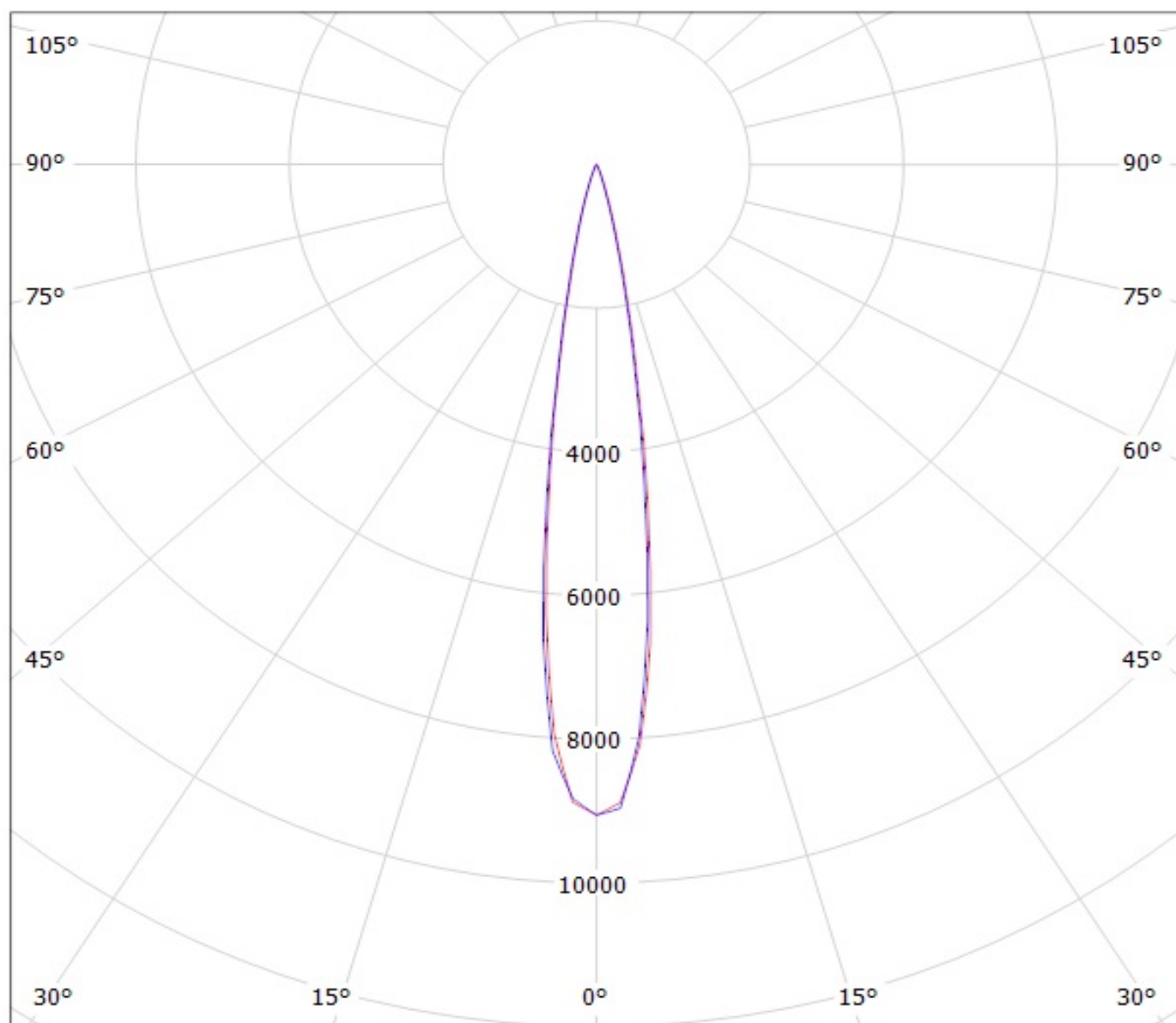


cd/klm

$\eta = 91\%$

— C0 - C180 — C90 - C270

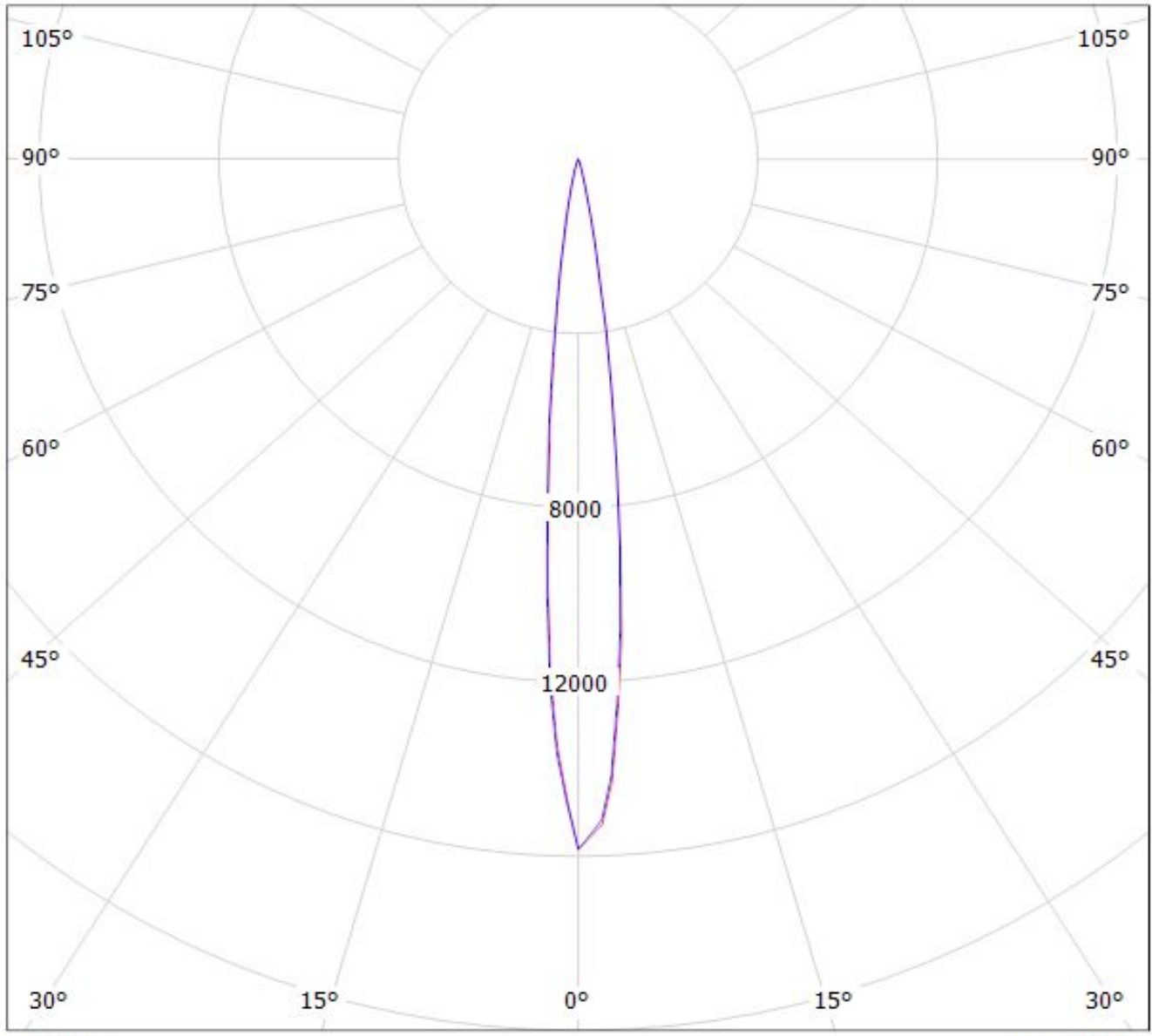
Luminaire: Ledil Oy CN10861-IRIS (Luxeon M 362lm @ 250mA) Efficiency=83%
Lamps: 1 x Luxeon M 362lm @ 250mA



cd/klm

— C0 - C180 — C90 - C270

Luminaire: Ledil Oy CN10861_IRIS_(Luxeon MZ) Efficiency=82%
Lamps: 1 x Luxeon MZ 259.83lm @ 250mA CCT= P=2.75W I=250mA



cd/klm

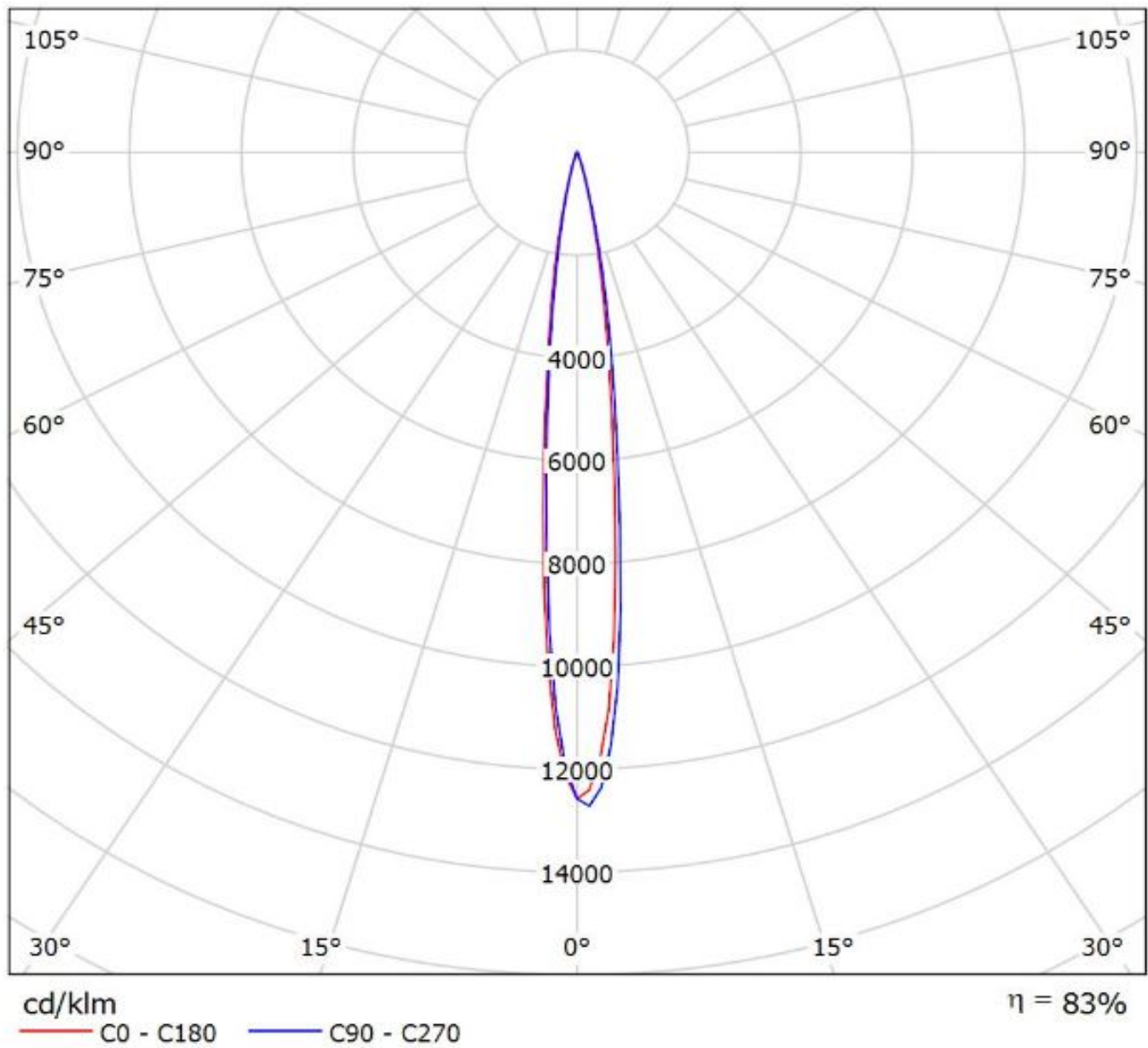
$\eta = 82\%$

— C0 - C180

— C90 - C270

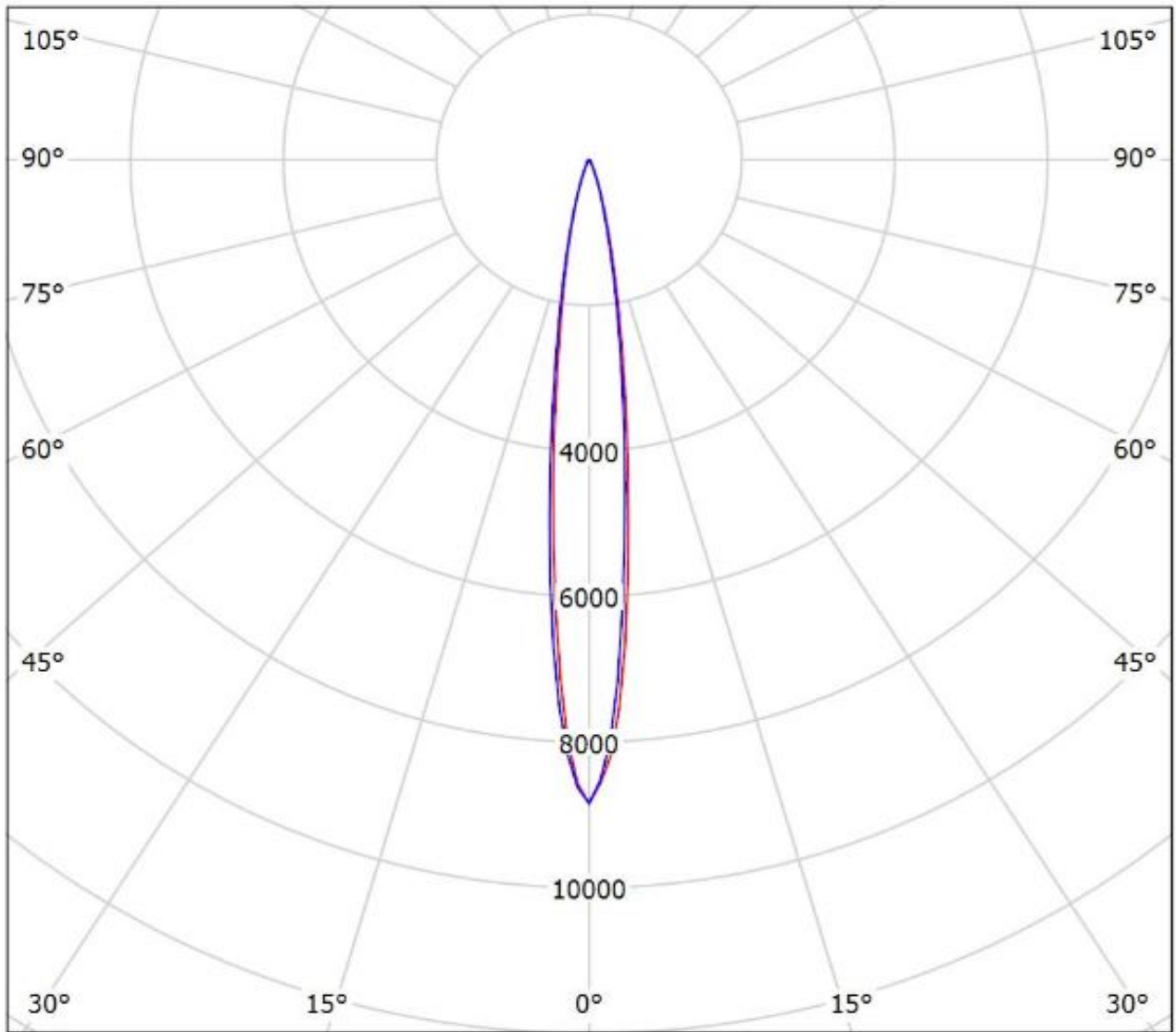
Luminaire: LEDiL Oy CN10861_IRIS_(NFMX48xAR_14chip)

Lamps: 1 x Nichia_NFMX48xAR_14chip_(NFMW488AR)_561.275lm@100mA_P=4.11057W_I=0.100A



Luminaire: Ledil CN10861_IRIS_(Duris_S10)

Lamps: 1 x Osram_Duris_S10_(GWP7LM32.CM)_298.59lm@100mA_P=2.52277W_I=0.1A



cd/klm

— C0 - C180

— C90 - C270

$\eta = 79\%$

NOTE: The typical divergence will be changed by different color, chip size and chip position tolerance. The typical total divergence is the full angle measured where the luminous intensity is half of the peak value.