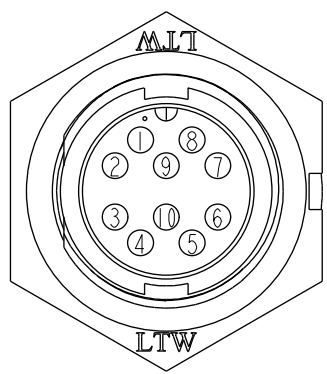
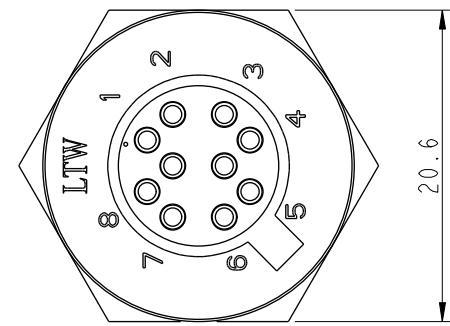
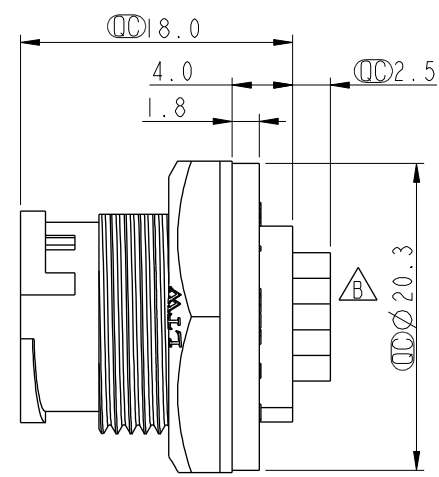
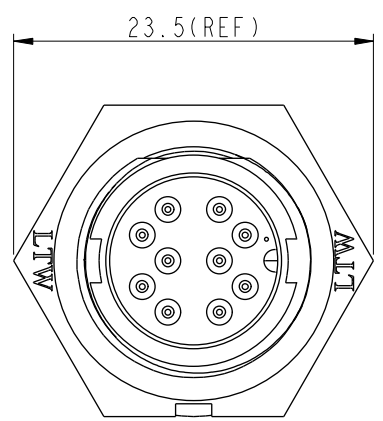


THIS DOCUMENT IS SUBJECT TO CHANGE WITHOUT NOTICE. IT IS CONFIDENTIAL AND A PROPERTY OF AMPHENOL LTW. DISCLOSURE TO THIRD PARTY HAS TO BE AUTHORIZED BY AMPHENOL LTW.

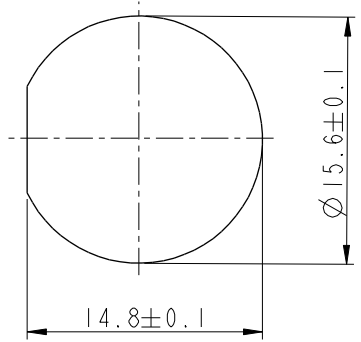
REV.	ECN NO.	DATE	SIGN	DESCRIPTION
B		2007/04/19	J.Espiritu	Change Pin Presentation And Apply New Format
C	LEN-8B0410	2008/09/22	Shin	Add Note

**ALTW**  
CONFIDENTIAL  
2012-03-30  
R&D DEPT.

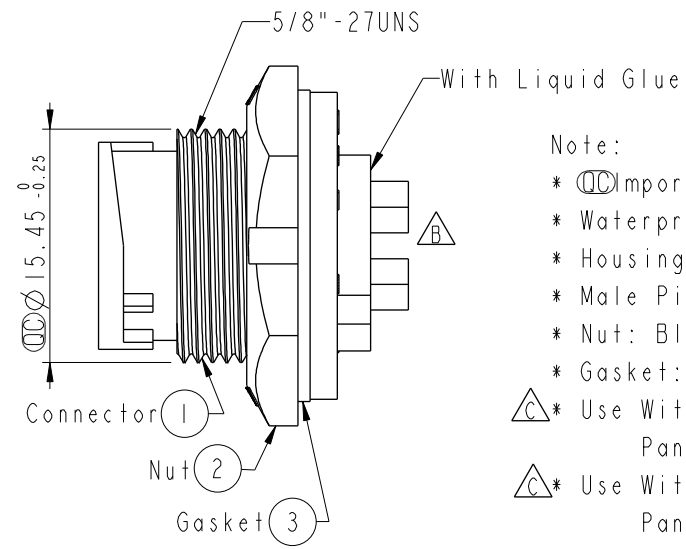
**ALTW**  
DCC. DEPT.  
CONFIDENTIAL  
2012-04-17  
**ISSUED**



Pin Assignments  
Front View



Recommended Panel Cut-out



- Note:
- \*  $\varnothing$  Important Dimension To Check.
  - \* Waterproof Rate: IP67
  - \* Housing: Black, Nylon+GF
  - \* Male Pin: Copper Alloy, Gold Plated
  - \* Nut: Black, Nylon+GF
  - \* Gasket: Black, EPDM
  - $\triangle$ \* Use With Waterproof Cap Or Dust Cap  
Panel Thickness Max: 3.0mm
  - $\triangle$ \* Use Without Waterproof Cap Or Dust Cap  
Panel Thickness Max: 4.5mm

UNIT: mm		
TOLERANCE	.X ±0.25	
.XX	±0.1	
.XXX	±0.05	
ANGLES	±1°	

TITLE Standard Panel Lock 10Pin M Conn. M Pin			
SCALE 2:1	SIZE A4	SHEET 1 OF 1	
REV. C	WC-REV. A.4	$\varnothing$ : Inspection item	

**Amphenol LTW**  
安費諾亮泰企業股份有限公司

ITEM NO. BU-10PMMS-LC7001	DRAWN BY SamChang	DATE 2012-03-30
DWG NO. BU-10PMMS-LC7001	CHECKED BY Jeffrey	DATE 2012-04-17
CUSTOMER ALTW	APPROVED BY Lion	DATE 2012-04-17