
Product number CA13752_STRADA-SQ-FT

Family	Strada-Forward	FWHM	Asymmetric degrees
Type	Assembly	Efficiency	89 %
LED	MK-R	cd/lm	0.600
Color	Clear	Gerber File	Available
Diameter	25 + 25 mm		
Height	12.7 mm		
Style	Square		
Optic Material	-		
Holder Material	-		
Fastening	["pin", "screw", "tape"]		
Status	Production ready		

Product number CA13753_STRADA-SQ-FW

Family	Strada-Forward	FWHM	Asymmetric degrees
Type	Assembly	Efficiency	(simulated) 89 %
LED	MK-R	cd/lm	-
Color	Clear	Gerber File	Available
Diameter	25 + 25 mm		
Height	15.4 mm		
Style	Square		
Optic Material	PMMA		
Holder Material	-		
Fastening	["pin", "screw", "tape"]		
Status	Production ready		

NOTE: The typical divergence will be changed by different color, chip size and chip position tolerance. The typical total divergence is the full angle measured where the luminous intensity is half of the peak value.



PRODUCT DATASHEET Strada-Forward series

last update 11/1/2016

GENERAL INFORMATION

- Product series especially designed & optimized for MK-R series of LEDs.
- Special care taken to make light distribution as uniform as possible.
- Lens material optical grade PMMA with high UV and temperature resistance. Allows use of high current and temperature conditions.

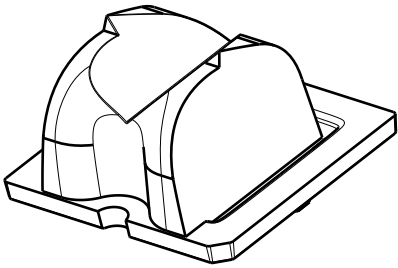
Please find more information about used material from below:

http://ledil.fi/sites/default/files/Documents/Technical/Material/PMMA%20N%20UL94_Yellow%20Card.pdf

<http://ledil.fi/sites/default/files/Documents/Technical/Material/PMMA%20N%20PLEXIGLAS-Datasheet.pdf>

D C B A

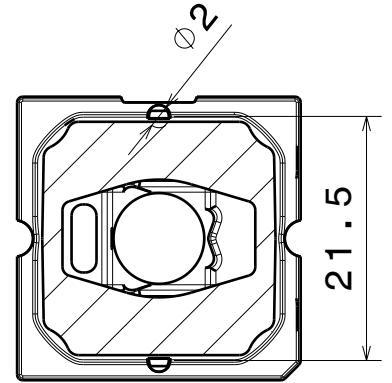
4



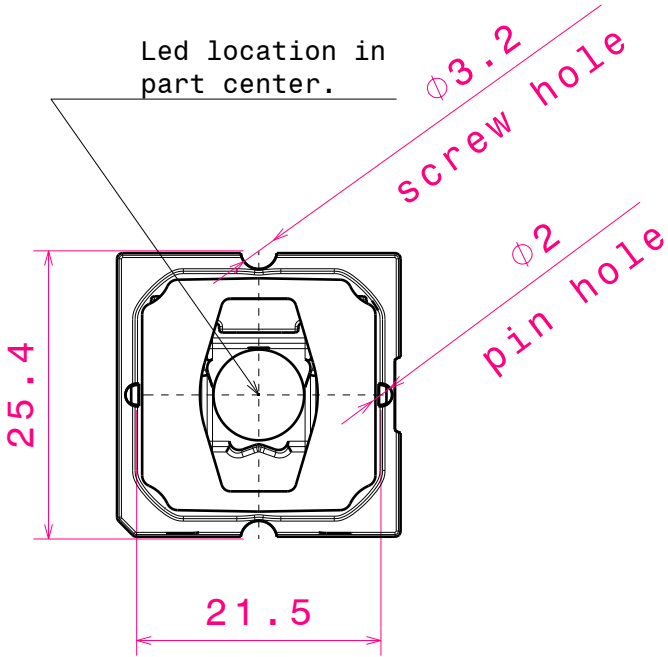
Isometric view

4

Bottom view

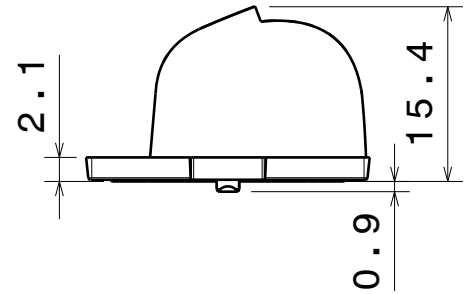


Led location in part center.



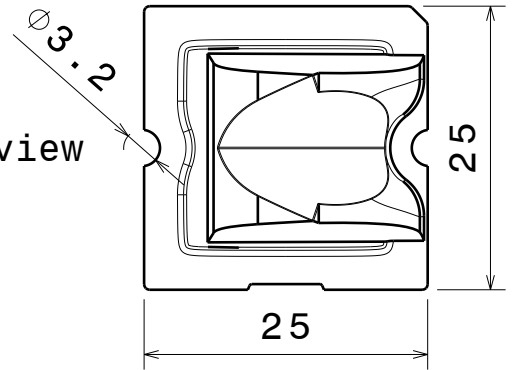
PCB suggestion

Front view



3

Top view

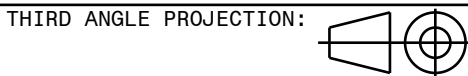


2

INDEX	PART NO	DESCRIPTION	MATERIAL	COLOUR
1	CA13753	STRADA-SQ-FW	PMMA / PU double sided tape	

Tolerances if not otherwise shown
According to DIN ISO 2768-1
Linear measures:
Up to 30mm class M, otherwise class C.
According to DIN ISO 2768-2
Form and position: class L

LEDiL
Ledil Oy
Salorankatu 10
FIN 24240 SALO
Finland



DRAWING TITLE
CA13753_STRADA-SQ-FW

This drawing is the property of LEDiL Oy. It may not be reproduced, copied or communicated without a written agreement with LEDiL Oy."

SIZE	PART NUMBER
A4	CA13753

SCALE	1:1	WEIGHT	- g	SHEET	1/1
-------	-----	--------	-----	-------	-----

2

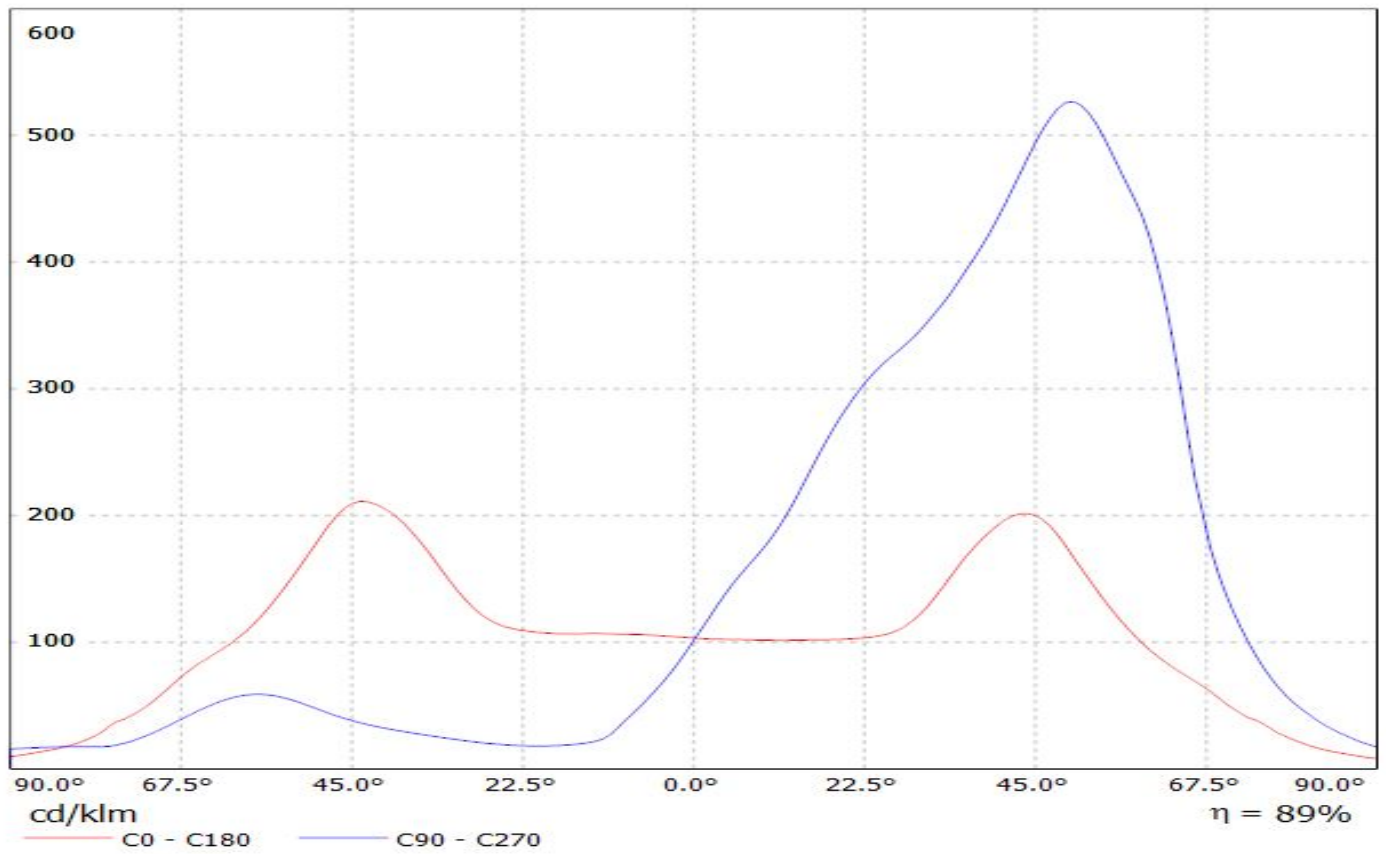
1

D

A

LEDiL Oy CA13752_STRADA-SQ-FT_(MK-R) Eff.89.4% / LDC (Linear)

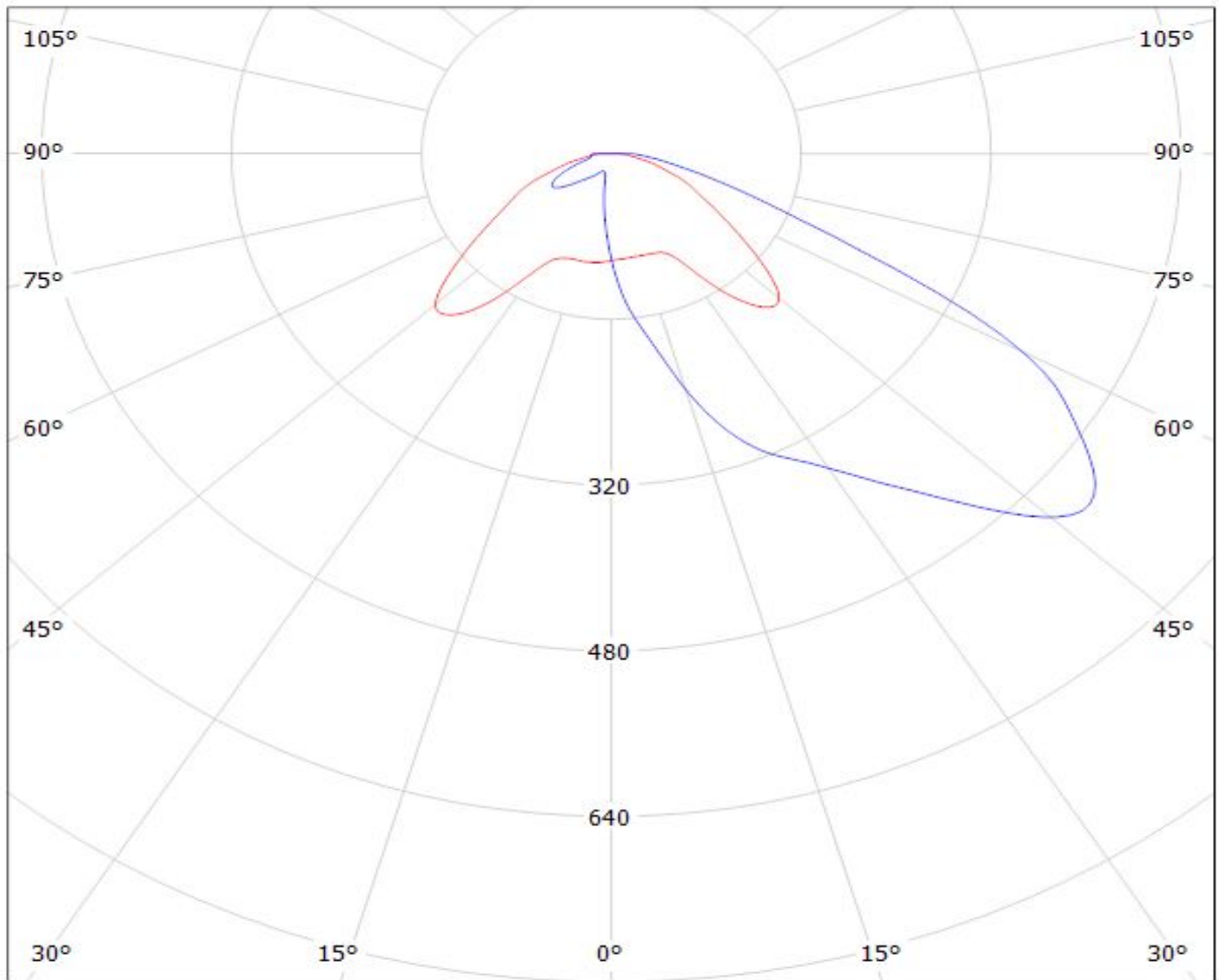
Luminaire: LEDiL Oy CA13752_STRADA-SQ-FT_(MK-R) Eff.89.4%
Lamps: 1 x CREE_MK-R_358.348lm@250mA_P=2.84311W_I=249.9mA



LEDiL Oy CA13752_STRADA-SQ-FT_(MK-R) Eff.89.4% / LDC (Polar)

Luminaire: LEDiL Oy CA13752_STRADA-SQ-FT_(MK-R) Eff.89.4%

Lamps: 1 x CREE_MK-R_358.348lm@250mA_P=2.84311W_I=249.9mA



cd/klm

$\eta = 89\%$

— C0 - C180

— C90 - C270