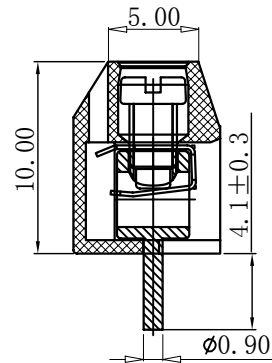
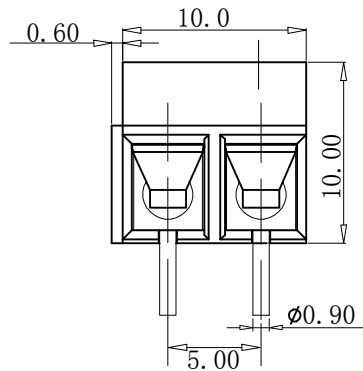
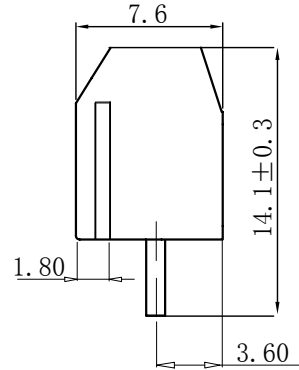
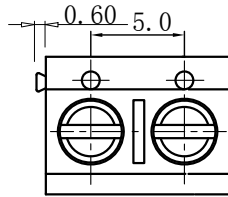




**ULO GROUP**  
INSPIRING CONNECTIONS

NINGBO ULO ELECTRONICS CO LTD

product specification



**Electrical**

Standard: UL IEC/TUV  
 Rated voltage: 300V 250V  
 Rated current: 20A 17.5A  
 Contact resistance: 20 mΩ  
 Wire range: 26-14AWG max.1.5mm<sup>2</sup>  
 Withstanding voltage: AC2000V/Min  
 Insulation resistance: 500mΩ/DC500V

**Mechanical**

Temp Range: -40°C~+105°C  
 Torque: 0.4Nm(3.5lb 'in)  
 Strip length: 5-6mm

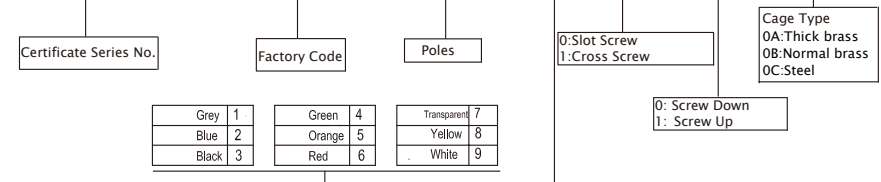
**Dimensions**

Pitch: 5.0mm  
 Poles: 2P

**Material**

Housing: PA66,UL94V-0  
 Screws:M2.5,steel.Zinc plated  
 Pin header: B Brass,TiN plated  
 Shrapnel:Stainless steel

HOW TO ORDER **ULO-TB** 2 5 - 301/5.0 - 0 2 P - 6 - 0 - 0 - 0 B



Grey	1	Green	4	Transparent	7
Blue	2	Orange	5	Yellow	8
Black	3	Red	6	White	9

TOLERANCES EXCEPT AS NOTED

		linear dimension(Tolerances Standard GB/T 14486-2008)										≡	—	□	//	⊥	
variable range	to	over 6 to 10	over 10 to 18	over 18 to 30	over 30 to 50	over 50 to 80	over 80 to 120	over 120 to 160	over 160 to 200	over 200 to 250	all	to 5	over 5 to 30	over 30 to 120	over 120 to		
	tolerance	6	+0.1	+0.14	+0.19	+0.25	+0.32	+0.43	+0.57	+0.72	+0.88	+1.05	+1.25	0.5	0.025	0.06	0.12

UNITS	mm	SIZE	A4	SCALE	THIRD ANGLE PROJECTION	
NINGBO ULO ELECTRONICS CO LTD						
					NAME	ULO-TB25-301/5.0