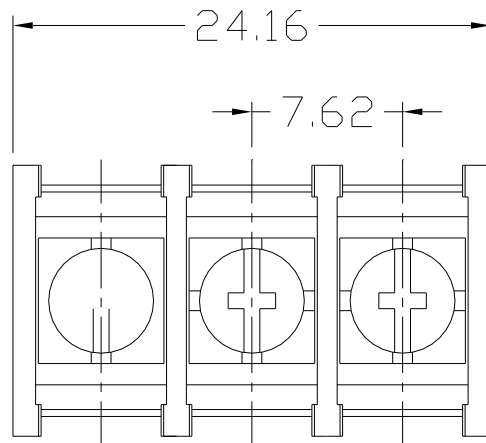
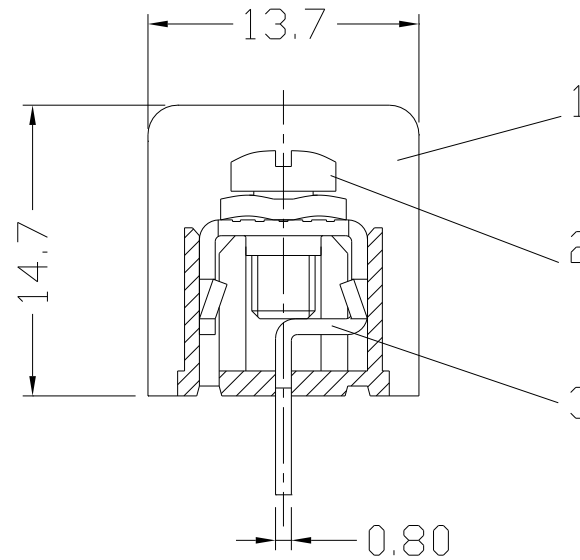
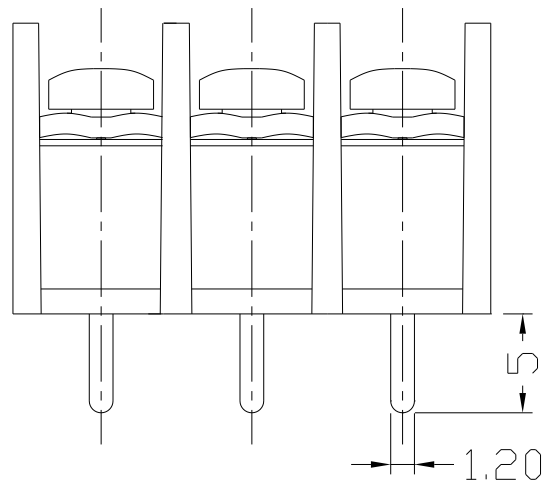


序号/RevNo.	名称/Title	文件编号/File No.
1	XY825塑件	QJ/XYT-21136
2	XY825螺丝	QJ/XYT-21137
3	XY825A端子	QJ/XYT-21138



300V 10A 1.5mm²

Poles: 3p

Pitch: 7.62mm

Materials

Housing: PA6.6

Solder Pin: Brass, Tin Plated

Screw: M3.0, A3, Zinc Plated.

设计/Designed by	绘图/Drawing by	审核/Checked by	批准/Approved by	未注公差 General Tolerance	
		图名/Title	文件编号/File No.	x. ±0.2	x." ±2°
		XY825A-3P产品图	QJ/XYT-22054	.x ±0.1	.x" ±1°
		页序/Sheet		.xx ±0.05	.xx" ±0.5°
备注/Remark				.xxx ±0.01	
				单位/Units: mm	

序号/RevNo.	更改记录/Revision note	签名/Signature	日期/Date